



A TEREX BRAND

Parts Manual

Serial Number Range

AWP Super Series from SN AWPG-87800

Part No. 1283303GT
Rev: B
August 2020

Technical Publications

Genie has endeavored to deliver the highest degree of accuracy possible. However, continuous improvement of our products is a Genie policy. Therefore, product specifications are subject to change without notice.

Readers are encouraged to notify Genie of errors and send in suggestions for improvement. All communications will be carefully considered for future printings of this and all other manuals.

Contact Us:

Internet: www.genielift.com
e-mail: awp.techpub@terex.com

Find a Manual for this Model

Go to <http://www.genielift.com>

Use the links to locate Operator's, Parts, Maintenance, and Service and Repair Manuals.

Copyright © 2017 by Terex Corporation

1283303GT Rev B August 2020
Third Edition, Second Printing

Genie is a registered trademark of Terex South Dakota, Inc. in the USA and many other countries. "AWP" is a trademark of Terex South Dakota, Inc.



Printed on recycled paper

Genie
A TEREX BRAND

Model: Serial number: AWPG-12345

Year of Manufacture : 2017

Elec/Hydr Schematic:

Power supply voltage/Pneumatic Pressure:

Nominal Power:

Machine unladen weight:

Max Load:

Occupants and Equipment must not exceed:

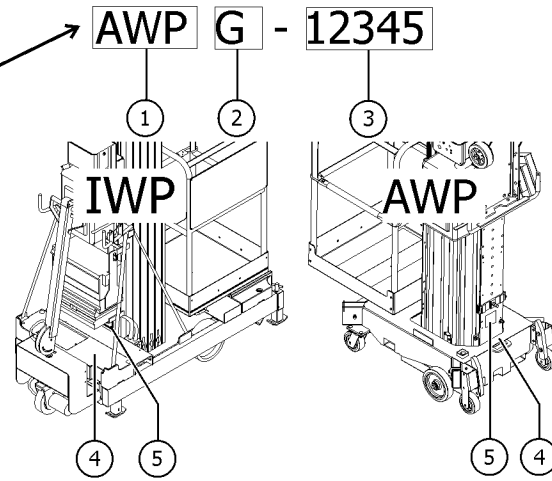
Maximum allowable inclination of the chassis:

Maximum Wind Speed:
Indoor:
Outdoor:

Gradeability:

Maximum allowable side force:

Maximum platform height:



- 1 Model
- 2 Facility code
- 3 Sequence number

- 4 Serial number (stamped on chassis)
- 5 Serial label

How to Order Parts

Please be prepared with the following information when ordering replacement parts for your Terex or Genie product.

- Machine model number
- Machine serial number
- Part number
- Part description and quantity
- Purchase order number
- "Ship to" address
- Desired method of shipment
- Name and telephone number of the authorized distributor in your area

Use the Service Parts Fax Order Form on the next page and fax your order to our Parts Department.

If you don't know the name of your authorized distributor, or if your area is not currently serviced by an authorized distributor, please call Terex or Genie Industries.

Machine Information

Model

Serial Number

Date of Purchase

Authorized Genie Distributor

Phone Number

North America

Telephone (425)881-1800
Toll Free (800)536-1800 in US and Canada
Fax (425)556-8659
Toll Free fax (888)274-6192
Email AWP.PartsSalesPO@terex.com
<http://genielift.com/en>

EMEAR (Europe, Middle East, Africa and Russia)

Telephone (31)(165)519 313
Fax (31)(165)511 148
<http://genielift.co.uk>

Asia Pacific (Genie Singapore)

Telephone +65 6692 7777
Fax +65 6261 8893
<http://genielift.com.sg/>

Australia

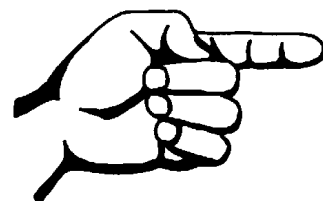
Telephone (61)(7)3456 4444
Fax (61)(7)3456 4466
<http://genielift.com.au>

South America

Telephone (55)(11)4082 5600
Fax (55)(11)4082 5630



Please refer to section 001 for the Recommended Spare Parts List.



This page intentionally left blank.

Service Parts Fax Order Form



Fax to: (425) 556-8659 or Toll Free: 888-274-6192
International: +1-425-556-8659

Please fill out completely

Date _____ Account Number _____
 Your Name _____ Your Fax Number _____
 _____ Your Phone Number _____
 Bill To _____ Ship To _____

 Purchase Order Number _____ Ship Via _____

Model(s) _____ Serial No.(s) _____

Optional Equipment _____

Part Number	Description	Quantity	Price

All back-ordered parts will be shipped when available via the same ship method as the original order unless Noted below:

- Ship complete order only - No back orders
- Ship all available parts and contact customer on disposition of back-ordered parts
- Other (please specify)

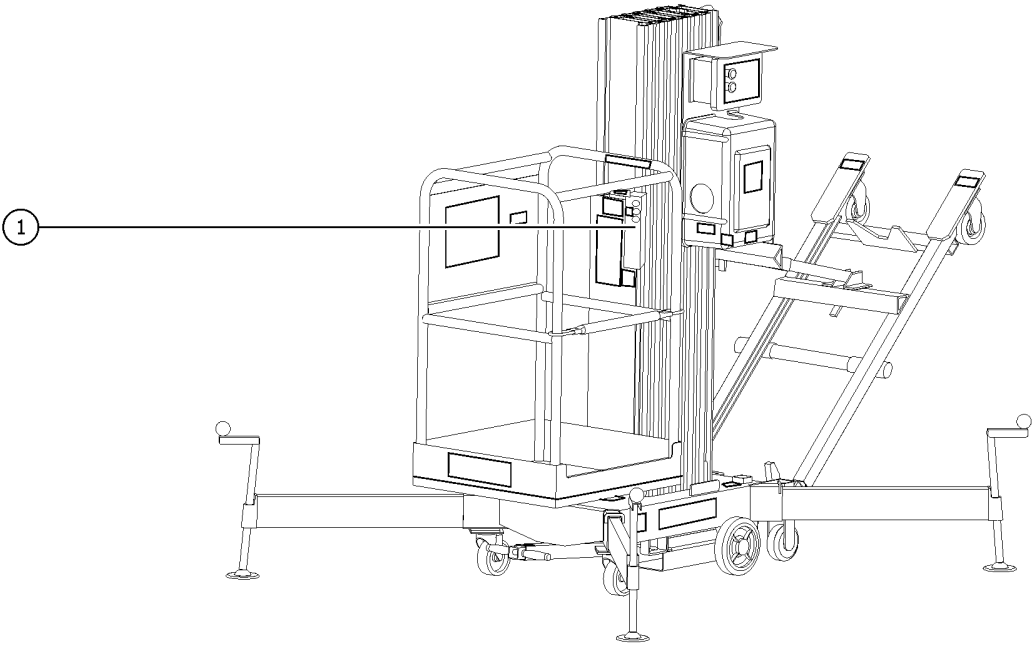


Description	Page
001 Parts Stocking List	10
001.1 Parts Stocking List	10
100 Decals	12
101.1 Decals with Words (to SN AWPP-99999)	12
102.1 Decals with Symbols (to SN AWPP-99999)	18
103.1 Decals with Word, Machine View, Front (from SN AWPP-100000)	22
104.1 Decals with Word, Machine View, Rear (from SN AWPP-100000)	24
105.1 Decals with Word, Platform, Control Box, and Power Unit (from SN AWPP-100000)	26
106.1 Decals with Symbol, Machine View, Front (from SN AWPP-100000)	28
107.1 Decals with Symbol, Machine View, Rear (from SN AWPP-100000)	30
108.1 Decals with Symbol, Platform, Control Box, and Power Unit (from SN AWPP-100000)	32
200 Base Components	34
201.1 Standard Base Assembly	34
202.1 Narrow Base Assembly	38
203.1 Rough Terrain Base Assembly	42
204.1 Outrigger Assembly	46
205.1 Outrigger Assembly Cross Reference Standard Base	48
205.2 Outrigger Assembly Cross Reference Narrow or Rough Terrain Base	54
300 Mast Components	56
301.1 Number 1 and 2 Column Assemblies	56
302.1 Number 3 and 4 Column Assemblies, AWP-20S	58
303.1 Number 3, 4 and 5 Column Assemblies, AWP-25S and AWP-36S	60
304.1 Number 3, 4, 5 and 6 Column Assemblies, AWP-30S and AWP-40S	64
305.1 Carriage Assembly	68
306.1 Lifting Chain Assembly, AWP-20S	72
307.1 Lifting Chain Assembly, AWP-25S and AWP-36S	76
308.1 Lifting Chain Assembly, AWP-30S and AWP-40S	80
309.1 Sequencing Cable Assembly	84
310.1 Mast Covers	88
311.1 Loading Pivot Assembly	90
312.1 Number 1 Column Attached Parts, Standard Base with Tilt-back Frame	92
313.1 Number 1 Column Attached Parts, Standard Base Model	96
314.1 Number 1 Column Attached Parts, Narrow or Rough Terrain Base Model	98
315.1 Tilt-back Frame Assembly	102
316.1 Outrigger Storage Bracket Assembly Cross Reference	108
400 Power Groups	110
401.1 Battery Pack Assembly, DC Models	110

Table of Contents

Description	Page
402.1 Battery Charger, Worldwide, Signet Model	112
403.1 Power Unit Installation, Standard Base, AC and DC Models	114
404.1 Power Unit Installation, Narrow or Rough Terrain Base, AC and DC Models	116
405.1 Power Unit Installation, Air Powered Models	118
406.1 Power Pack Installation, Narrow or Rough Terrain Base, Air Powered Models Option	120
407.1 Ground Controls, DC Models	122
408.1 Ground Controls, AC Models	126
409.1 Ground Controls, Air Powered Models	130
410.1 Platform Controls	132
411.1 Control Cable Assembly, AWP-20S, AWP-30S and AWP-40S, AC and DC Models	136
412.1 Control Cable Assembly, AWP-25S and AWP-36S, AC and DC Models	138
413.1 Control Hose Assemblies, Air Powered Models	140
500 Platform Components	142
501.1 Platform Assembly, Aluminum, Sliding Mid-rail Entry	142
502.1 Platform Assembly, Aluminum, Gated Entry	144
503.1 Platform Assembly, Aluminum, Extra Large, Front and Side Entry	148
504.1 Platform Assembly, Fiberglass	150
505.1 Platform Assembly Cross Reference Chart (to SN AWPP-99999)	152
505.2 Railing Assembly Cross Reference (to SN AWPP-99999)	156
600 Hydraulic Components	158
601.1 Lift Cylinder	158
602.1 Hydraulic Power Unit, DC Models	160
603.1 Hydraulic Power Unit, AC Models	164
604.1 Hydraulic Power Unit, Air Powered Models	168
605.1 Hydraulic Hoses and Fittings	170
606.1 Pneumatic Hoses and Fittings, Air Powered Models	172
700 Accessories	176
701.1 Operational Warning Light and Descent Alarm	176
702.1 Tube Caddy, Tray and Platform Locating Light	178
Part Number Index	180

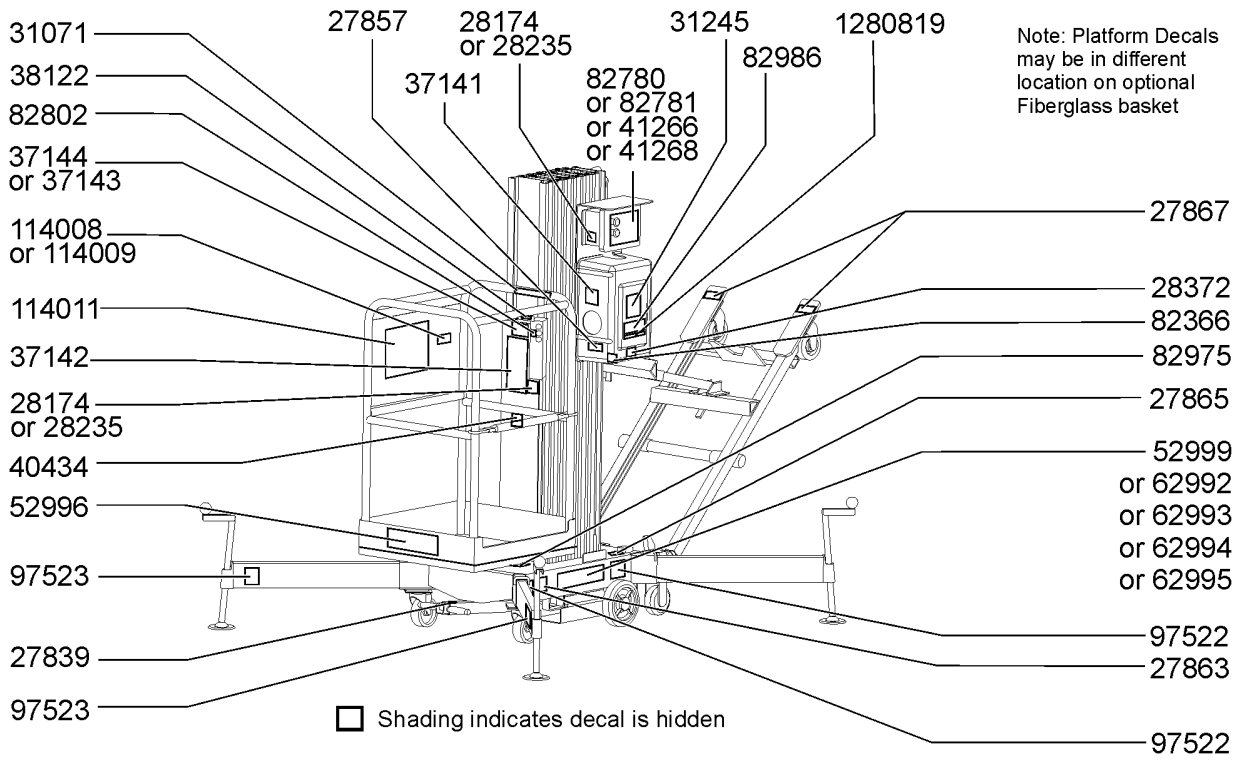
001.1 Parts Stocking List



Item	Part No.	Description	Qty.
A		—REQUIRED SERVICE PARTS— The following parts are required to perform maintenance procedures as outlined in the Genie AWP Super Series Service Manual	1
A-	90337GT	BOE LUBE	1
A-	49612GT	O-RING KIT (ORFS FITTINGS)	1
A-	49613GT	PLUG AND CAP KIT-SERVICE,ORFS*	1
A-	66399GT	GREASE,DIELECTRIC 4 OZ**	1
B		— GENERAL SERVICE PARTS —	
B-	1484GT	PAINT,AEROSOL,BRIGHT BLUE*** 12-ounce spray paint	1
B-	1268GT	PAINT,AEROSOL,GENIE GRAY*** 12-ounce spray paint	1
B-	1258567GT	PAINT, AEROSOL, TRAFFIC BLACK 12-ounce spray paint	
B-	32150GT	PAINT,WET,GENIE BLUE (1 GL)** 1-gallon	1
B-	32151GT	PAINT,WET,GENIE GRAY (1 GL)** 1-gallon	1
B-	1257733GT	PAINT,WET,TRAFFIC BLACK (1 GL)** 1-gallon	1
1		— MANUALS —	
1-	27581GT	MANUAL,AEM SAFETY	
1-	31587GT	MANUAL,RESPON,A92.5 BOOM (to SN AWPP-99999)	
1-	1298933GT	MANUAL, SAIA MANUAL OF RESPONSIBILITIES, MEWP (from SN AWPP-100000)	

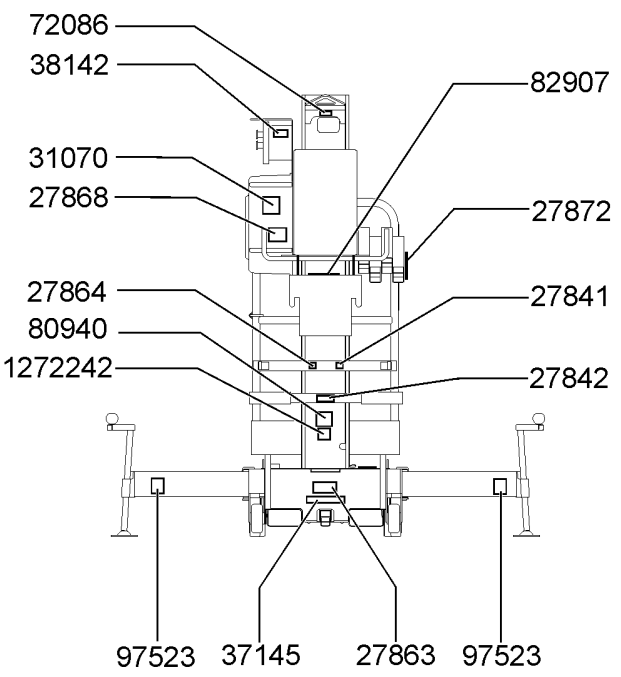
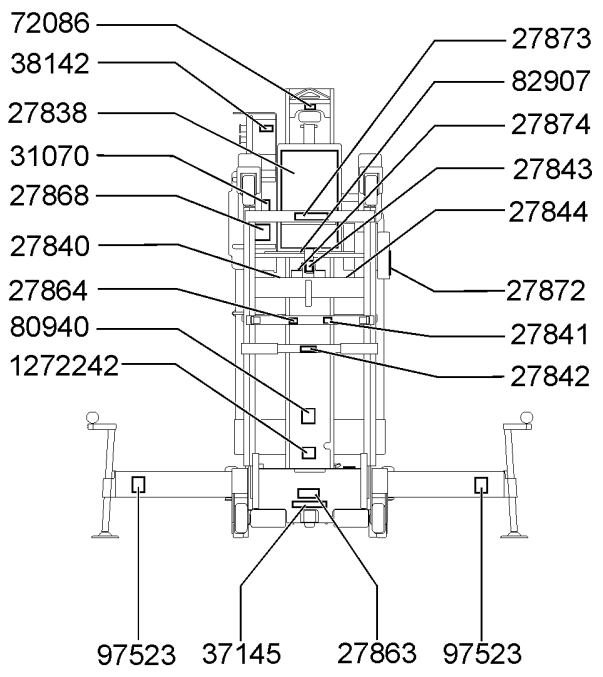


101.1 Decals with Words (to SN AWPP-99999)



Models with Tilt-back Frame

Models without Tilt-back Frame

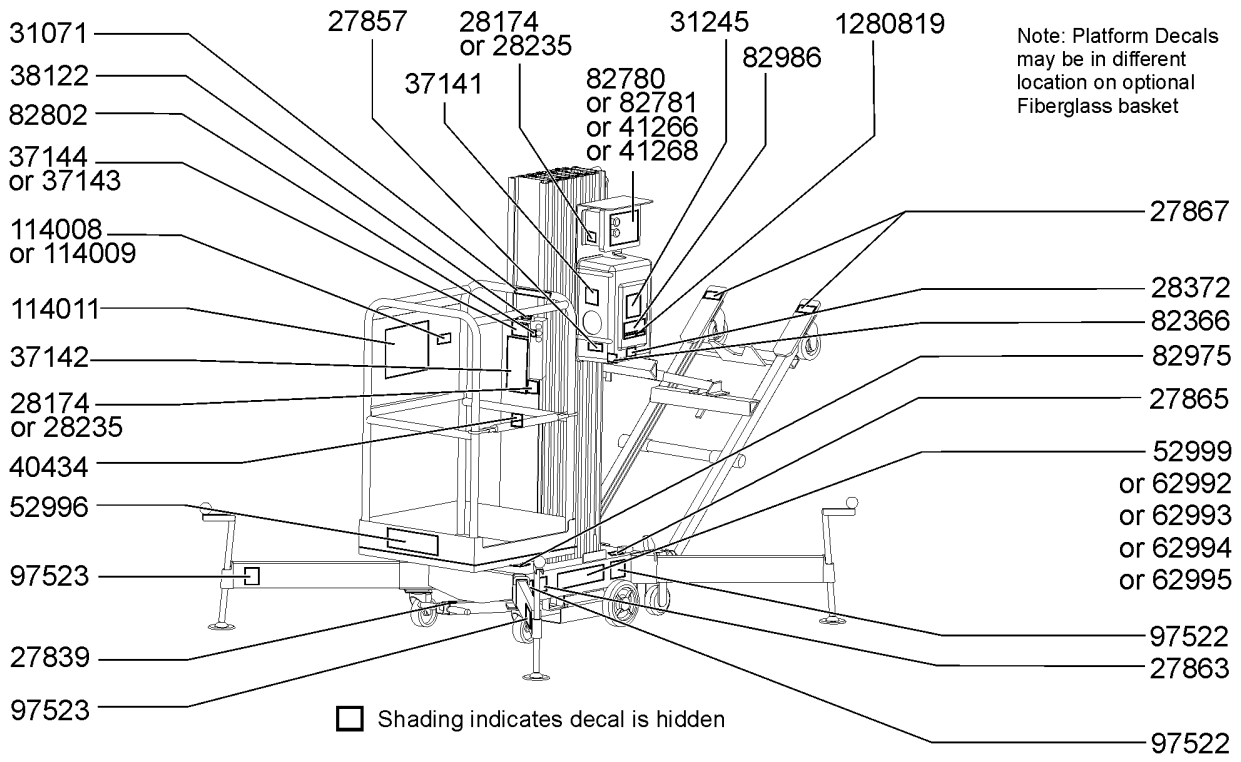


101.1 Decals with Words (to SN AWPP-99999)

Item	Part No.	Description	Qty.
-	1306256GT	INSTRUCTIONS,INSTALL,COMP,WORD, AWP	1
-	1306257GT	DECAL KIT, AWP,COMP,WORD,ANSI & AUS	1
-	1306258GT	INSTRUCTIONS,INSTALL,PLAT,WORD, AWP	1
-	1306259GT	DECAL KIT, AWP,PLAT,WORD,ANSI & AUS	1
1	27838GT	DECAL,TILTBACK OPERATION (models with tilt-back option)	1
2	27839GT	DECAL,SLIDING T-HANDLE	1
3	27840GT	DECAL,LOCK PIN (models with tilt-back option)	1
4	27841GT	DECAL,STOP BRACKET	1
5	27842GT	DECAL,LOADING PIVOT	1
6	27843GT	DECAL,TILTBACK STRUT (models with tilt-back option)	1
7	27844GT	DECAL,STRUT SOCKET (models with tilt-back option)	1
8	27857GT	DECAL,COMPONENT DAMAGE,CAP	1
9	27863GT	DECAL,LOAD SHIFT HAZARD	3
10	27864GT	DECAL,LOWER STOP BRACKET	1
11	27865GT	DECAL,BUBBLE LEVEL ***	1
12	27867GT	DECAL,SWIVEL LOCK (models with tilt-back option)	1
13	27868GT	DECAL,DANGER-TIP OVER	1
14	27872GT	DECAL,TIP OVER HAZARD	1
15	27873GT	DECAL,MAINTAIN GRASP (models with tilt-back option)	1
16	27874GT	DECAL,INSERT PIN (models with tilt-back option)	1
17	28174GT	DECAL,POWER TO PLATFORM 230V	2
18	28235GT	DECAL,POWER TO PLATFORM 115V	2
19	28372GT	DECAL,NOTICE,BATTERY CABLES	1
20	31070GT	DECAL,DANGER,TIP-OVER HAZARD	1
21	31071GT	DECAL,WARNING,FAILURE TO READ	1
22	31245GT	DECAL,WARNING,COLLISION HAZARD (models with tilt-back option)	1
23	37141GT	DECAL, NOTICE, MANUAL LOWERING	1
24	37142GT	DECAL,NOTICE,OPER.INST.,AWP-S	1

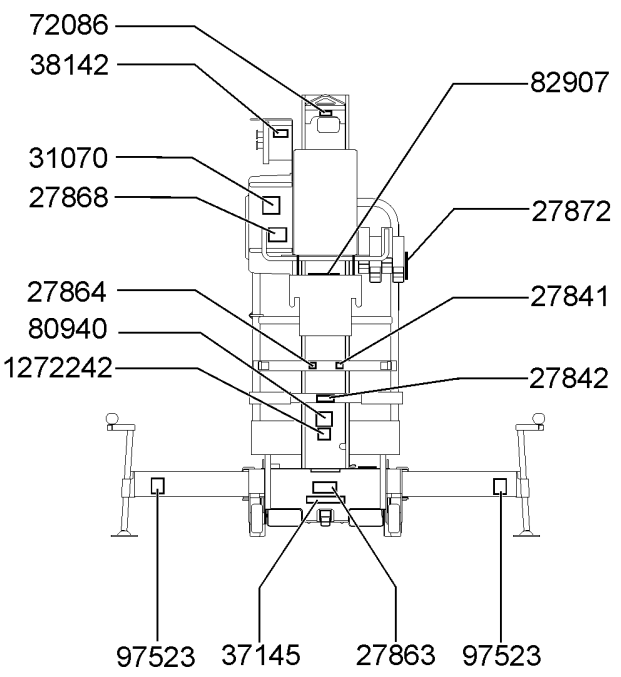
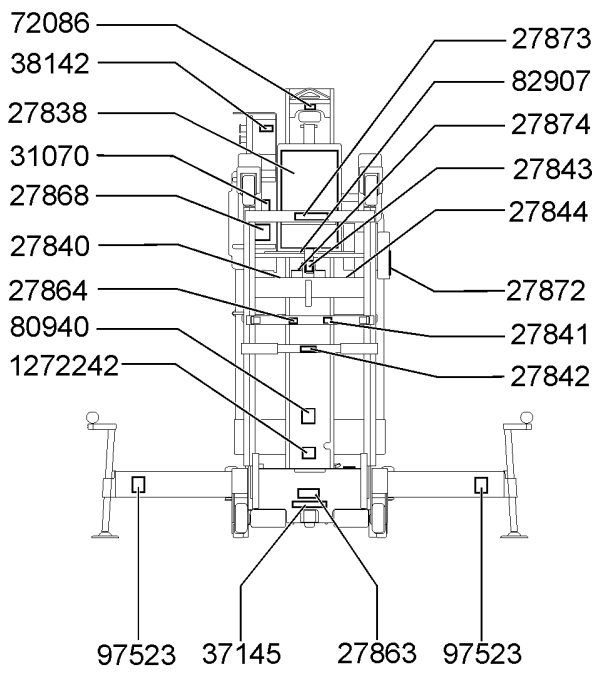


101.1 Decals with Words (to SN AWPP-99999)



Models with Tilt-back Frame

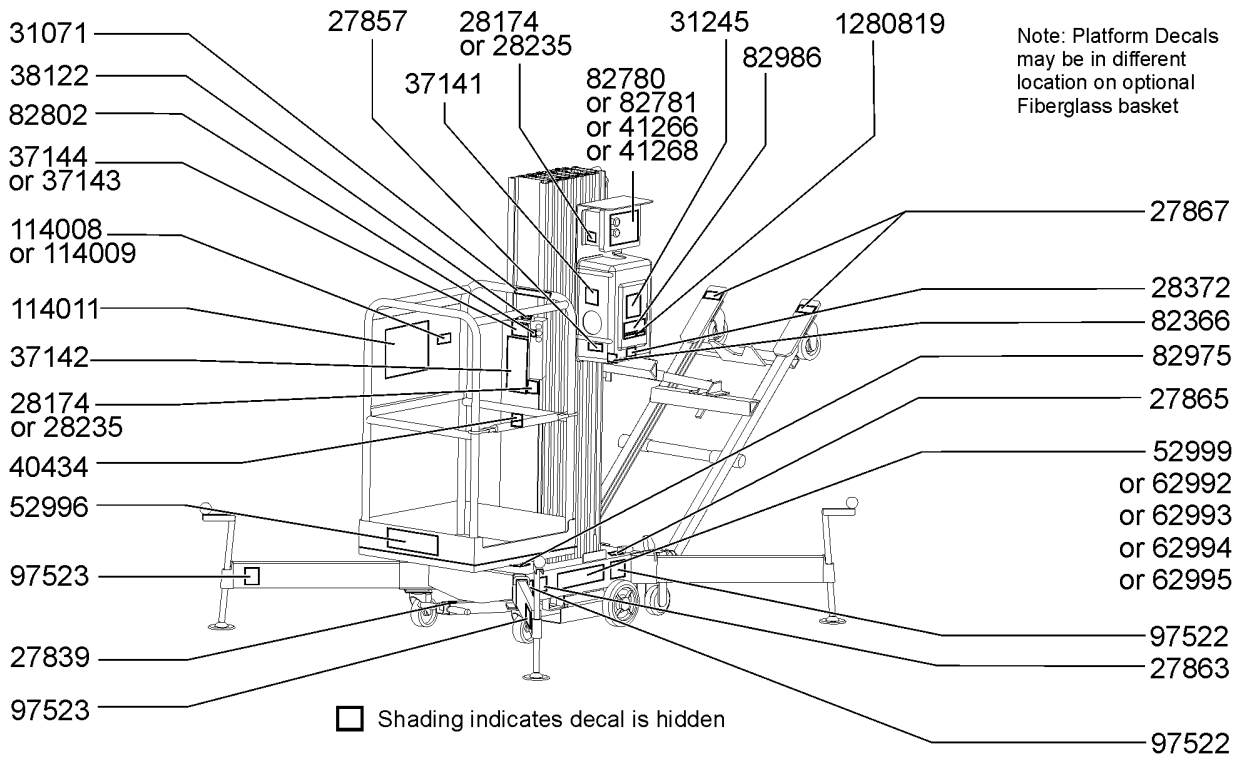
Models without Tilt-back Frame



Item	Part No.	Description	Qty.
25	37143GT	DECAL,NOTICE, LOAD CAP 300	1
26	37144GT	DECAL, NOTICE, LOAD CAP 350	1
27	37145GT	DECAL, MANUAL LOWERING VALVE	1
28	38122GT	DECAL,LABEL, OM STORAGE	1
29	38142GT	DECAL, LABEL, CIRCUIT BREAKER (AC models)	1
30	41266GT	DECAL,INTRLOCK.DISPLAY,AIR,STD (Air Models)	1
31	41268GT	DECAL,INTLOC.DISPLAY,AIR,NB/RT (Air Models)	1
32	52996GT	DECAL,COSMETIC,GENIE LOGO	1
33	52999GT	DECAL,COSMETIC,GENIE AWP-20S	2
34	62992GT	DECAL,COSMETIC,GENIE AWP-25S	2
35	62993GT	DECAL,COSMETIC,GENIE AWP-30S	2
36	62994GT	DECAL,COSMETIC,GENIE AWP-36S	2
37	62995GT	DECAL,COSMETIC,GENIE AWP-40S	2
38	72086GT	DECAL,LABEL,LIFTING EYE	1
39	80940GT	ASSY,SER # LABEL,POWERED/GR **	1
40	82366GT	DECAL,CHEVRON RANDO HD	1
41	82780GT	DECAL,INTLCK DISPLY AWP STD*** (AC / DC Models)	1
42	82781GT	DECAL,INTLCK DISPLY AWP NB/RT* (AC/DC Models)	1
43	82802GT	DECAL,LABEL,FUNCTION ENABLE (for ANSI models from SN AWP04-30040 and CE models to AWP04-30039)	1
44	82907GT	DECAL,DANGER,BATTERY SAFETY***	1
45	82975GT	DECAL,DANGER,COLLISION HAZARD	1
46	82986GT	DECAL,DANGER,ELEC.HAZ.STAY CLR	1
47	97522GT	DECAL,LABEL,WHEEL LOAD,AWP	4
48	97523GT	DECAL,LABEL,OUTRIGGER LOAD AWP	4
49	114008GT	DECAL,NOTICE-SIDE FORCE,50LBS (ANSI/CSA)	1
50	114009GT	DECAL,NOTICE-MAN FORCE,45LBS (AUS)	1
51	114011GT	DECAL,DANGER-GENERAL SAFETY	1
52	40434GT	DECAL,LANYARD ANCHORAGE POINT	1

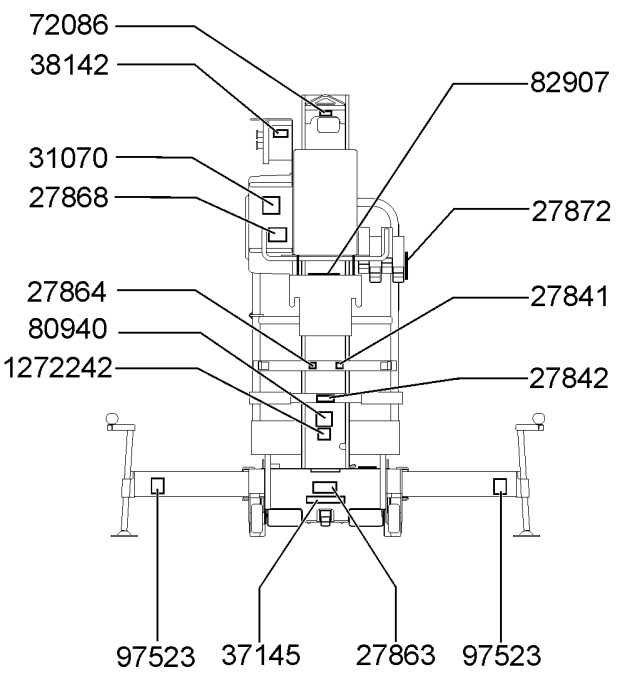
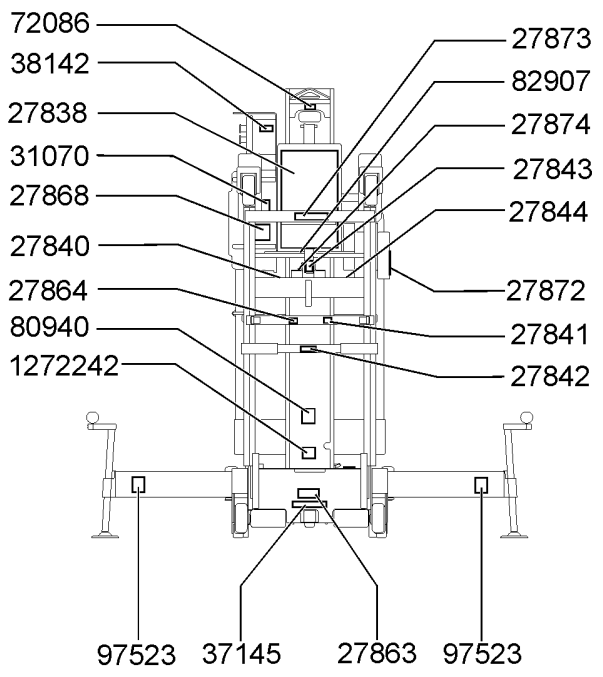


101.1 Decals with Words (to SN AWPP-99999)



Models with Tilt-back Frame

Models without Tilt-back Frame

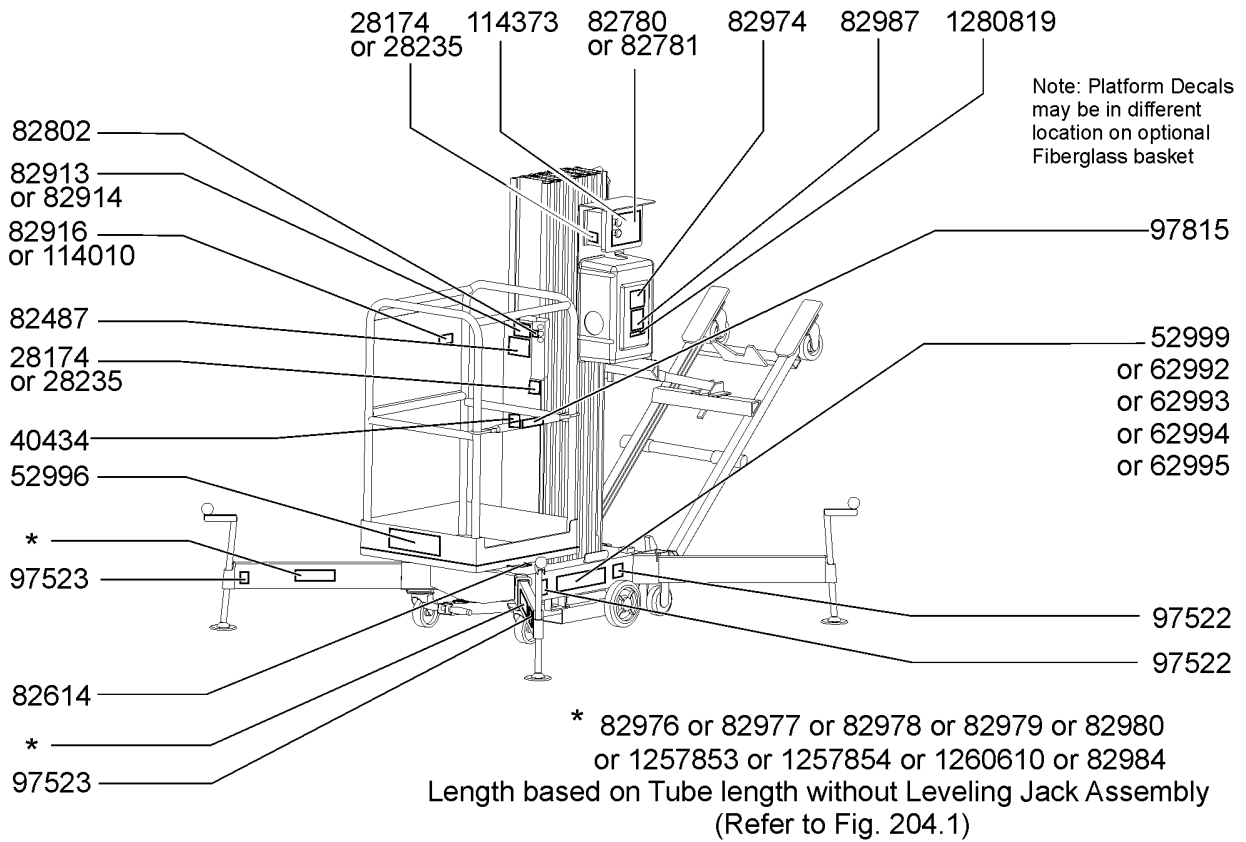


101.1 Decals with Words (to SN AWPP-99999)

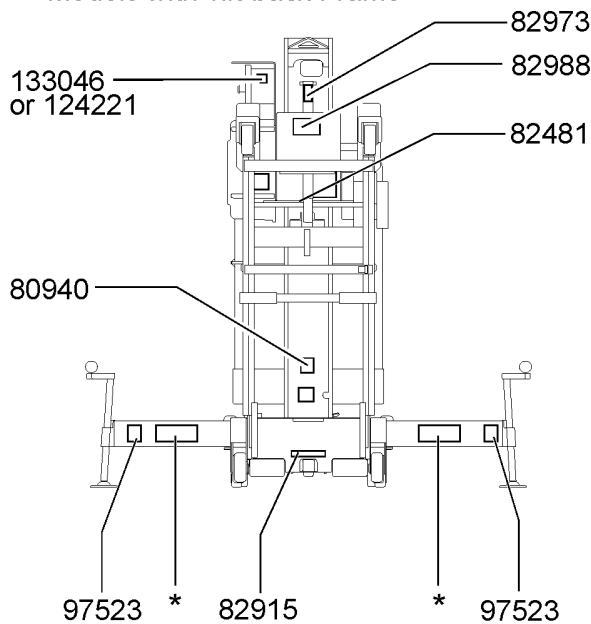
<i>Item</i>	<i>Part No.</i>	<i>Description</i>	<i>Qty.</i>
53	1272242GT	DECAL,MACHINE REGISTRATION/OWN	1
54	1280819GT	DECAL,WARNING,CANCER AND REPRODUCTIVE HARM, PROP 65	1



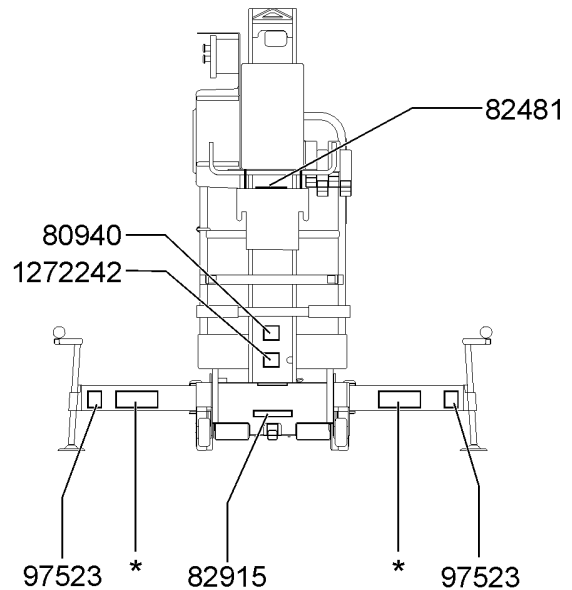
102.1 Decals with Symbols (to SN AWPP-99999)



Models with Tilt-back Frame



Models without Tilt-back Frame

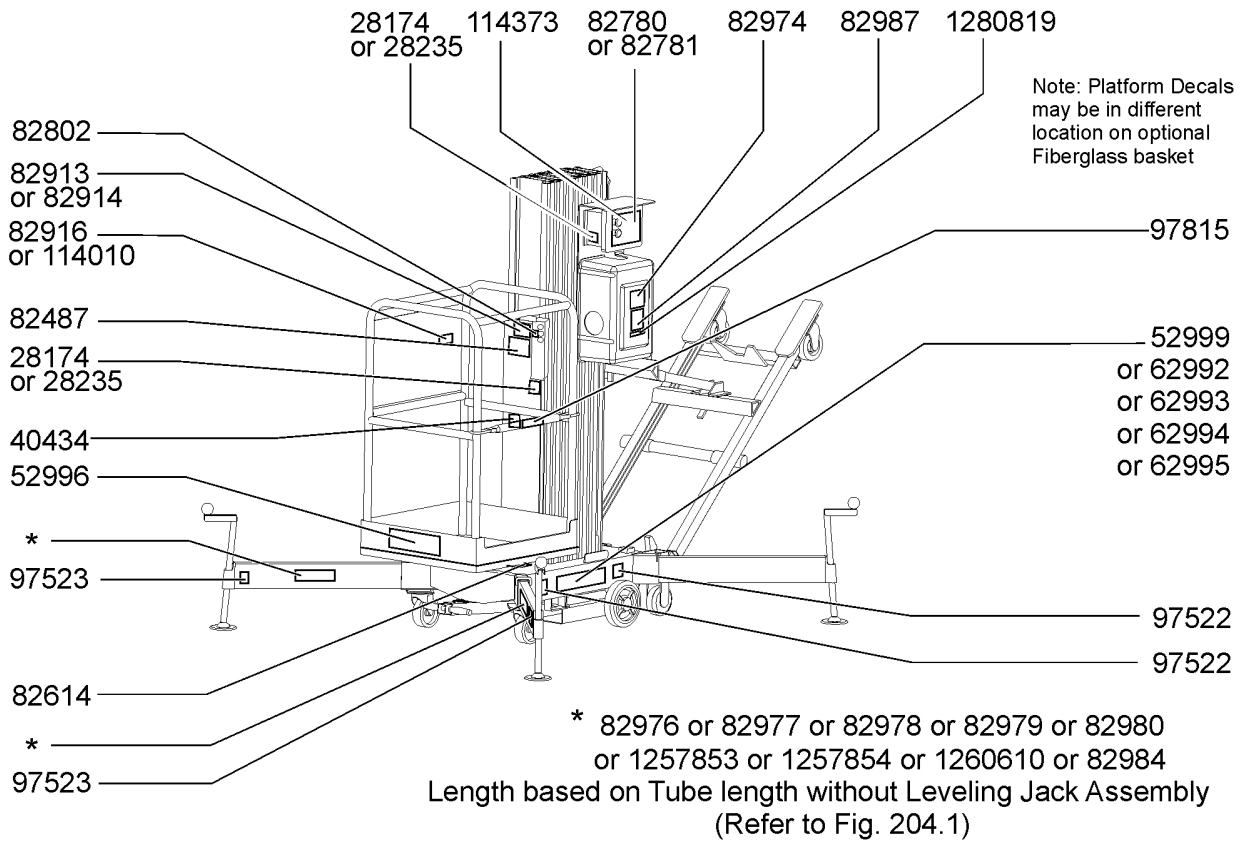


102.1 Decals with Symbols (to SN AWPP-99999)

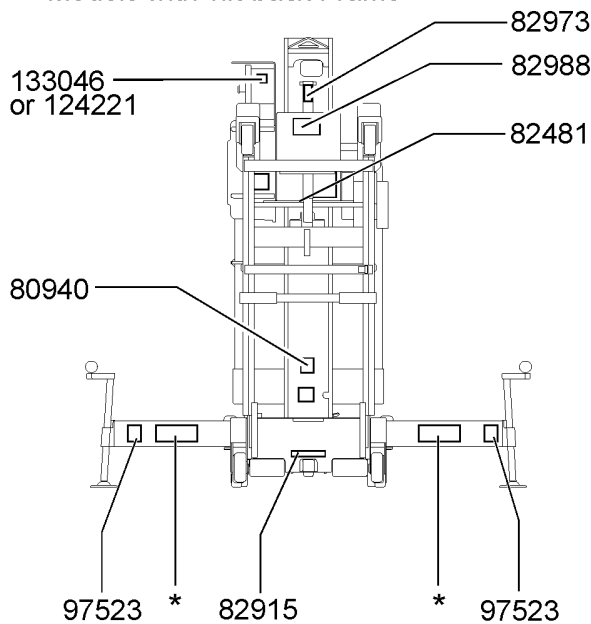
Item	Part No.	Description	Qty.
-	1306260GT	INSTRUCTIONS,INSTALL,COMP,SYMBOL, AWP	1
-	1306261GT	DECAL KIT, AWP,COMP,SYMBOL,ANSI & CE	1
-	1306262GT	INSTRUCTIONS,INSTALL,PLAT,SYMBOL, AWP	1
-	1306263GT	DECAL KIT, AWP,PLAT,SYMBOL,ANSI & CE	1
1	28174GT	DECAL,POWER TO PLATFORM 230V	2
2	28235GT	DECAL,POWER TO PLATFORM 115V	2
3	40434GT	DECAL,LANYARD ANCHORAGE POINT	1
4	52996GT	DECAL,COSMETIC,GENIE LOGO	2
5	52999GT	DECAL,COSMETIC,GENIE AWP-20S	2
6	62992GT	DECAL,COSMETIC,GENIE AWP-25S	2
7	62993GT	DECAL,COSMETIC,GENIE AWP-30S	2
8	62994GT	DECAL,COSMETIC,GENIE AWP-36S	2
9	62995GT	DECAL,COSMETIC,GENIE AWP-40S	2
10	80940GT	ASSY,SER # LABEL,POWERED/GR **	1
11	82481GT	DECAL,SYMBOL-BATTERY SAFETY	1
12	82487GT	DECAL,SYMBOL-READ THE MANUAL	1
13	82614GT	DECAL,DANGER,COLLISION HAZARD	1
14	82780GT	DECAL,INTLCK DISPLY AWP STD*** (AC/DC Models)	1
15	82781GT	DECAL,INTLCK DISPLY AWP NB/RT* (AC/DC Models)	1
16	82802GT	DECAL,LABEL,FUNCTION ENABLE	1
17	82913GT	DECAL,DANGER, LOAD CAP 350	1
18	82914GT	SCREW,HHTAPTITE THREAD8-32X.38	1
19	82915GT	DECAL,LABEL,AUX LOWERING	1
20	82916GT	DECAL,DANGER,MANUAL FORCE CE	1
21	82973GT	DECAL,WARNING,INSERT PIN	1
22	82974GT	DECAL,WARNING,COLLISION HAZARD	1
23	82976GT	DECAL,DANGER,20 IN OUTRIGGR,CE	4
24	82977GT	DECAL,DANGER,26 IN OUTRIGGR,CE	4



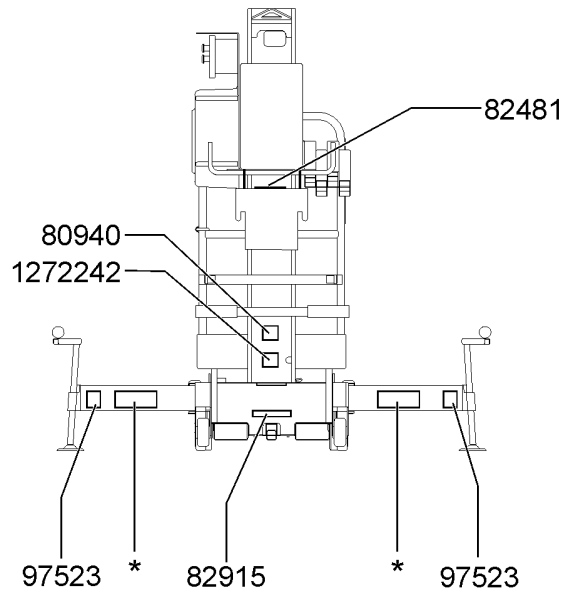
102.1 Decals with Symbols (to SN AWPP-99999)



Models with Tilt-back Frame



Models without Tilt-back Frame

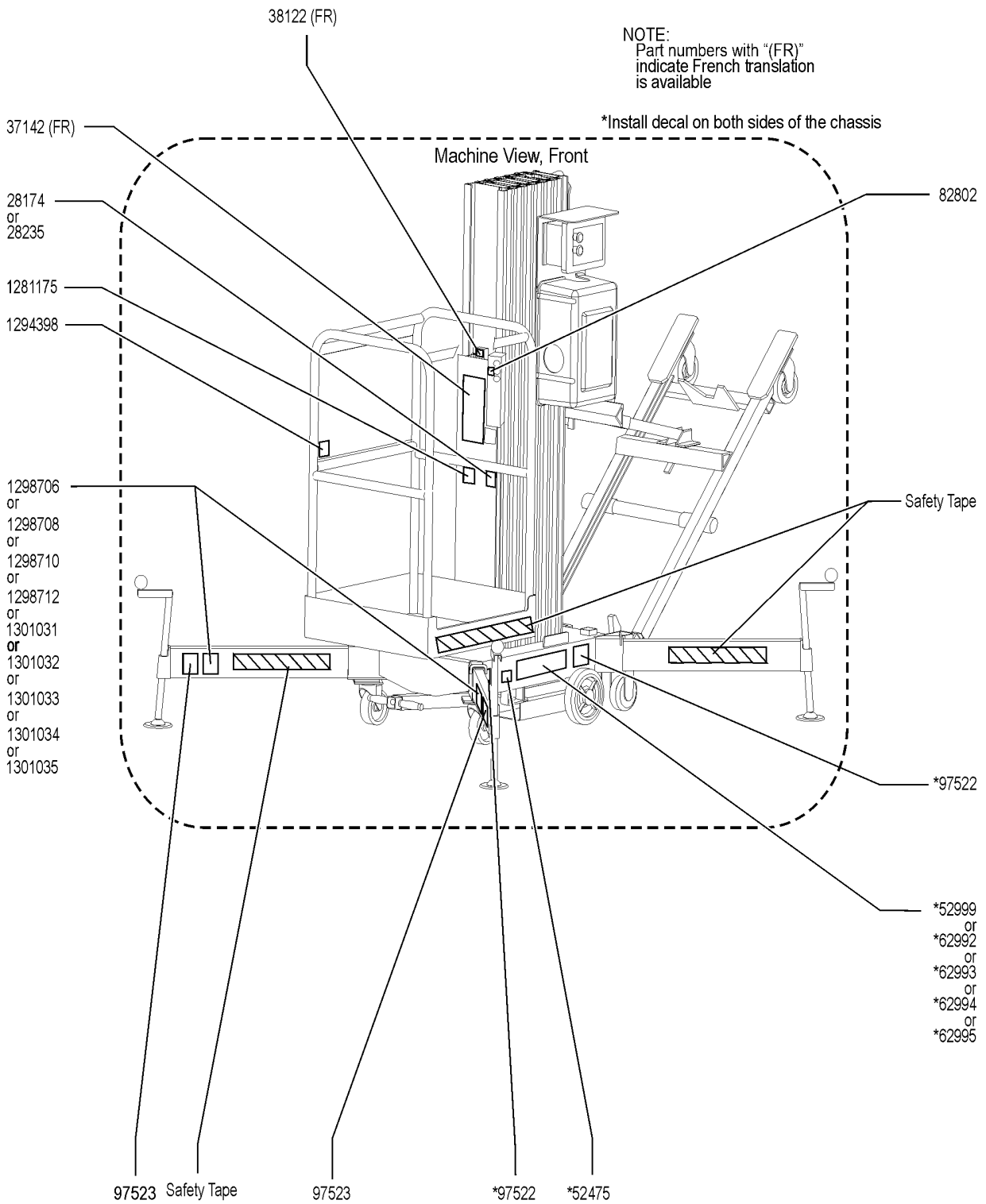


102.1 Decals with Symbols (to SN AWPP-99999)

Item	Part No.	Description	Qty.
25	82978GT	DECAL,DANGER,30.5 IN OUTRGR,CE	4
26	82979GT	DECAL,DANGER,36 IN OUTRIGGR,CE	4
27	82980GT	DECAL,DANGER,40 IN OUTRIGGR,CE	4
28	82984GT	DECAL,DANGER,85 IN OUTRIGGR,CE	4
29	82987GT	DECAL,DANGER,ELEC HAZ SYMB (to SN 57594)	1
30	82988GT	DECAL,TILTBACK OPERATION,SYMB (models with tilt-back option)	1
31	97522GT	DECAL,LABEL,WHEEL LOAD,AWP	4
32	97523GT	DECAL,LABEL,OUTRIGGER LOAD AWP	4
33	97815GT	DECAL,LABEL,LOWER MIDRAIL	1
34	114010GT	DECAL,DANGER-SIDE FORCE,222N	1
35	114373GT	DECAL,CE ELECTRICUTION HAZARD (CE models) (from SN AWP07-57595)	1
36	124221GT	DECAL,INPUT POWER,110VAC	1
37	133046GT	DECAL,INPUT POWER,230VAC	1
38	1257853GT	DECAL,DNGR,75",OUTRIGGR,CE	4
39	1257854GT	DECAL,DNGR,60",OUTRIGGR,CE	4
40	1260610GT	DECAL,DNGR,46",OUTRIGGR,CE	4
41	1272242GT	DECAL,MACHINE REGISTRATION/OWN	1



103.1 Decals with Word, Machine View, Front (from SN AWPP-100000)



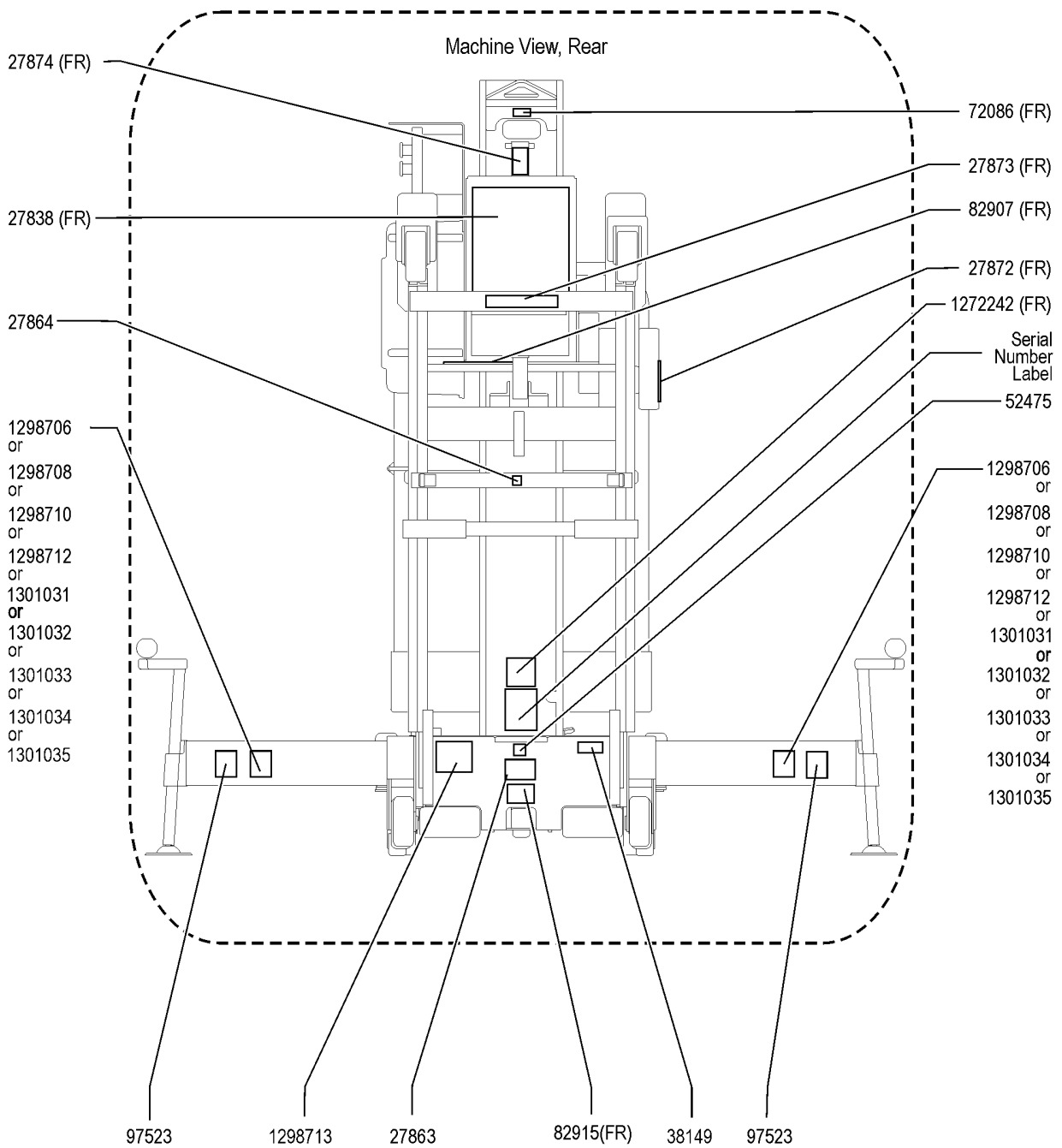
103.1 Decals with Word, Machine View, Front (from SN AWPP-100000)

Item	Part No.	Description	Qty.
-	1306219GT	INSTRUCTIONS,INSTALL,COMP,WORD, AWP	1
-	1306220GT	DECAL KIT, AWP,COMP,WORD,ANSI & AUS	1
1	28174GT	DECAL,POWER TO PLATFORM 230V	1
2	28235GT	DECAL,POWER TO PLATFORM 115V	1
3	37142GT	DECAL,NOTICE,OPER.INST.,AWP-S	1
4	38122GT	DECAL,LABEL, OM STORAGE	1
5	52475GT	DECAL,LABEL,TRANSPORT TIEDOWN*	2
6	52999GT	DECAL,COSMETIC,GENIE AWP-20S	2
7	62992GT	DECAL,COSMETIC,GENIE AWP-25S	2
8	62993GT	DECAL,COSMETIC,GENIE AWP-30S	2
9	62994GT	DECAL,COSMETIC,GENIE AWP-36S	2
10	62995GT	DECAL,COSMETIC,GENIE AWP-40S	2
11	82802GT	DECAL,LABEL,FUNCTION ENABLE	1
12	97522GT	DECAL,LABEL,WHEEL LOAD,AWP	4
13	97523GT	DECAL,LABEL,OUTRIGGER LOAD AWP	2
14	1281175GT	DECAL,LANYARD,FALL RESTRAINED	1
15	1294398GT	DECAL, ANSI/CSA COMPLIANT	1
16	1298706GT	DECAL, DANGER, 20" OUTRIGGER REACH, INDOOR	2
17	1298708GT	DECAL, DANGER, 26" OUTRIGGER REACH, INDOOR	2
18	1298710GT	DECAL, DANGER, 31" OUTRIGGER REACH, INDOOR	2
19	1298712GT	DECAL, DANGER, 36" OUTRIGGER REACH, INDOOR	2
20	1301031GT	DECAL, DANGER, 40" OUTRIGGER REACH, INDOOR	2
21	1301032GT	DECAL, DANGER, 46" OUTRIGGER REACH, OUTDOOR	2
22	1301033GT	DECAL, DANGER, 60" OUTRIGGER REACH, OUTDOOR	2
23	1301034GT	DECAL, DANGER, 75" OUTRIGGER REACH, OUTDOOR	2
24	1301035GT	DECAL, DANGER, 85" OUTRIGGER REACH, OUTDOOR	2



104.1 Decals with Word, Machine View, Rear (from SN AWPP-100000)

NOTE:
Part numbers with "(FR)"
indicate French translation
is available

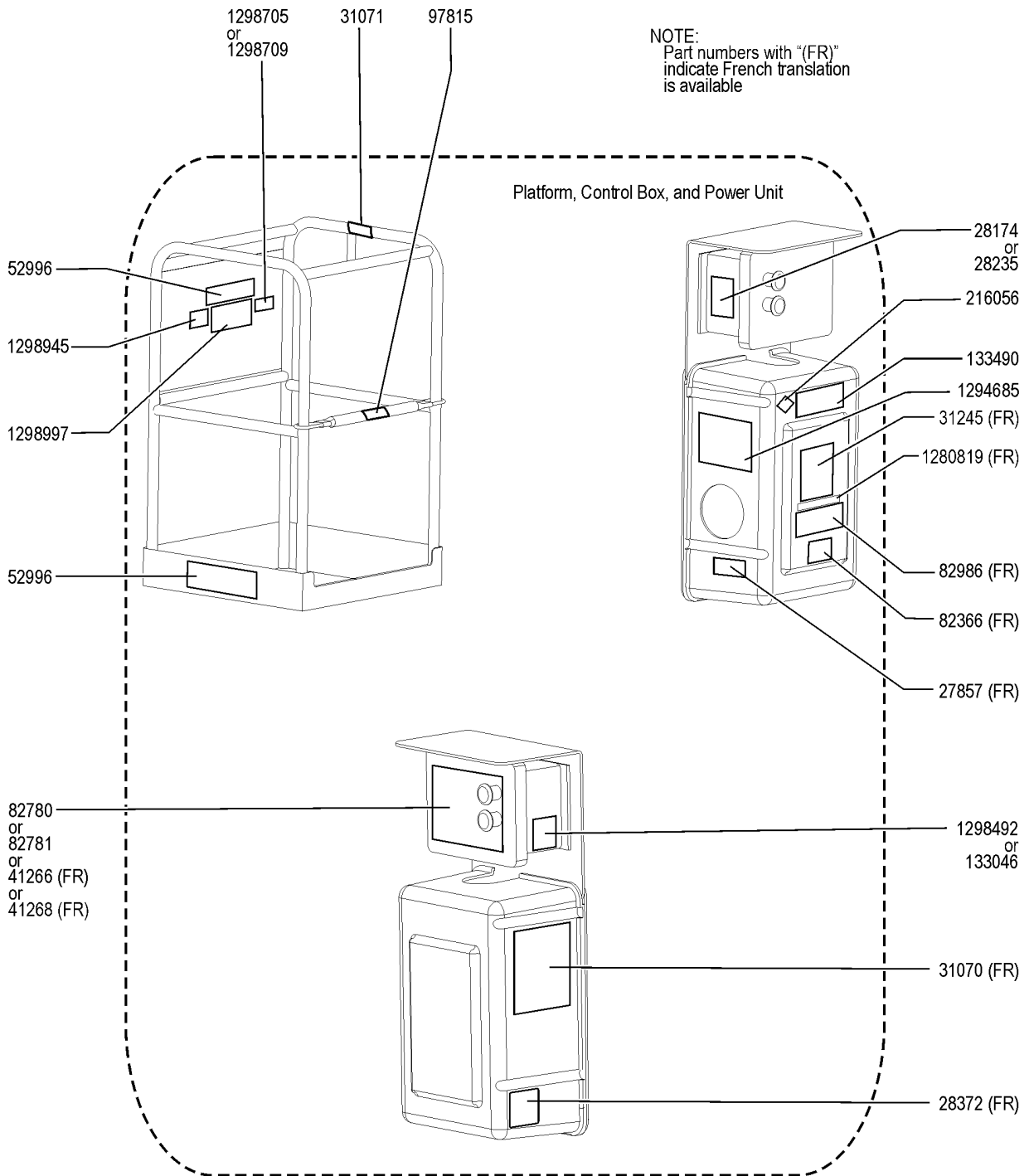


104.1 Decals with Word, Machine View, Rear (from SN AWPP-100000)

<i>Item</i>	<i>Part No.</i>	<i>Description</i>	<i>Qty.</i>
1	27838GT	DECAL,TILTBACK OPERATION	1
2	27863GT	DECAL,LOAD SHIFT HAZARD	1
3	27864GT	DECAL,LOWER STOP BRACKET	1
4	27872GT	DECAL,TIP OVER HAZARD	1
5	27873GT	DECAL,MAINTAIN GRASP	1
6	27874GT	DECAL,INSERT PIN	1
7	38149GT	DECAL,LABEL,PATENTS	1
8	52475GT	DECAL,LABEL,TRANSPORT TIEDOWN*	1
9	72086GT	DECAL,LABEL,LIFTING EYE	1
10	82907GT	DECAL,DANGER,BATTERY SAFETY***	1
11	82915GT	DECAL,LABEL,AUX LOWERING	1
12	97523GT	DECAL,LABEL,OUTRIGGER LOAD AWP	2
13	1272242GT	DECAL,MACHINE REGISTRATION/OWN	1
14	1298706GT	DECAL, DANGER, 20" OUTRIGGER REACH, INDOOR	2
15	1298708GT	DECAL, DANGER, 26" OUTRIGGER REACH, INDOOR	2
16	1298710GT	DECAL, DANGER, 31" OUTRIGGER REACH, INDOOR	2
17	1298712GT	DECAL, DANGER, 36" OUTRIGGER REACH, INDOOR	2
18	1298713GT	DECAL, LABEL-TRANSPORT DIGRAM, AWP	1
19	1301031GT	DECAL, DANGER, 40" OUTRIGGER REACH, INDOOR	2
20	1301032GT	DECAL, DANGER, 46" OUTRIGGER REACH, OUTDOOR	2
21	1301033GT	DECAL, DANGER, 60" OUTRIGGER REACH, OUTDOOR	2
22	1301034GT	DECAL, DANGER, 75" OUTRIGGER REACH, OUTDOOR	2
23	1301035GT	DECAL, DANGER, 85" OUTRIGGER REACH, OUTDOOR	2



105.1 Decals with Word, Platform, Control Box, and Power Unit (from SN AWPP-100000)



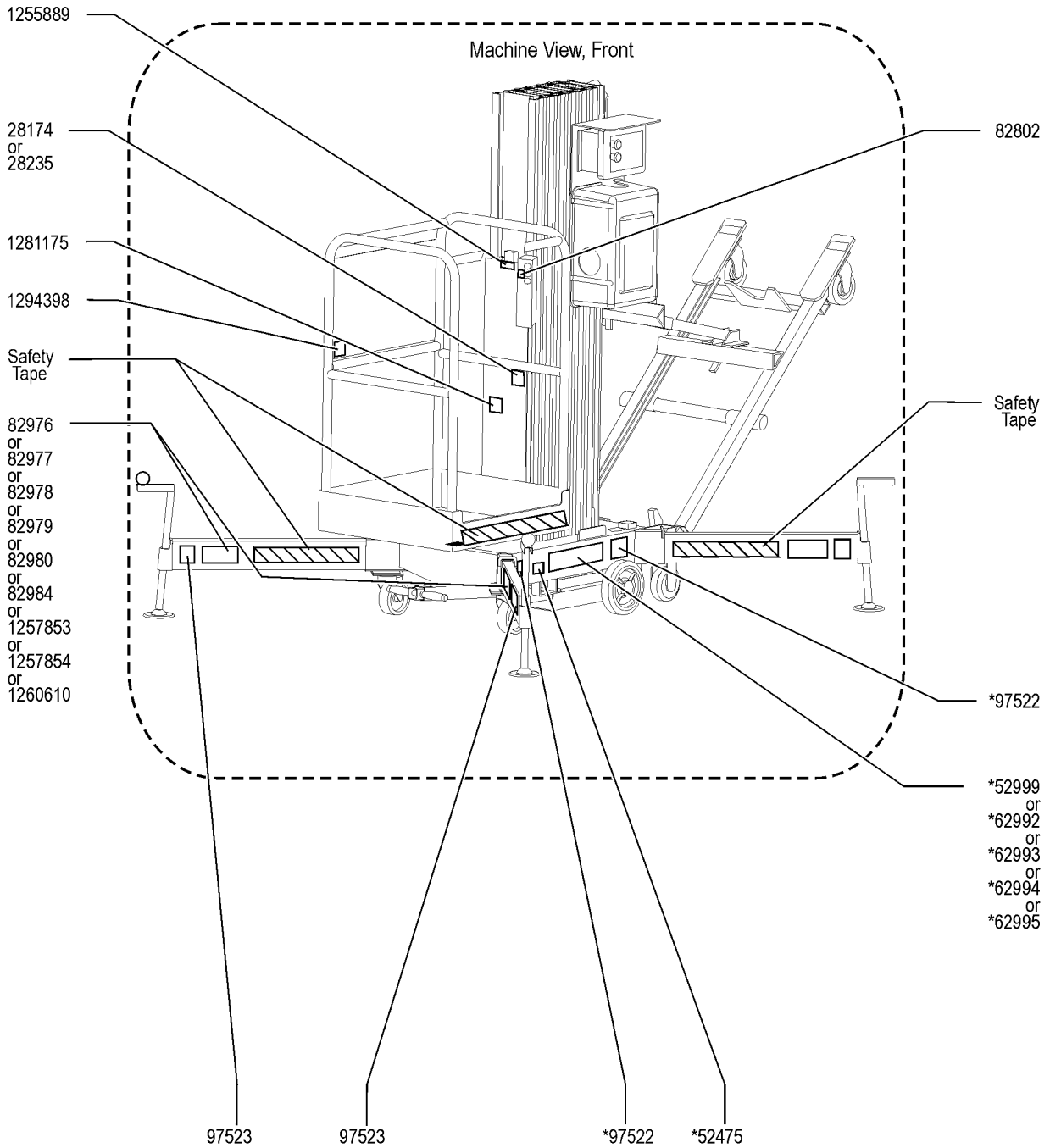
105.1 Decals with Word, Platform, Control Box, and Power Unit (from SN AWPP-100000)

Item	Part No.	Description	Qty.
-	1306221GT	INSTRUCTIONS,INSTALL,PLAT,WORD, AWP	1
-	1306222GT	DECAL KIT, AWP,PLAT,WORD,ANSI & AUS	1
1	27857GT	DECAL,COMPONENT DAMAGE,CAP	1
2	28174GT	DECAL,POWER TO PLATFORM 230V	1
3	28235GT	DECAL,POWER TO PLATFORM 115V	1
4	28372GT	DECAL,NOTICE,BATTERY CABLES	1
5	31070GT	DECAL,DANGER,TIP-OVER HAZARD	1
6	31071GT	DECAL,WARNING,FAILURE TO READ	1
7	31245GT	DECAL,WARNING,COLLISION HAZARD	1
8	41266GT	DECAL,INTRLOCK.DISPLAY,AIR,STD	1
9	41268GT	DECAL,INTLOC.DISPLAY,AIR,NB/RT	1
10	52996GT	DECAL,COSMETIC,GENIE LOGO	2
11	82366GT	DECAL,CHEVRON RANDO HD	1
12	82780GT	DECAL,INTLCK DISPLY AWP STD***	1
13	82781GT	DECAL,INTLCK DISPLY AWP NB/RT*	1
14	82986GT	DECAL,DANGER,ELEC.HAZ.STAY CLR	1
15	97815GT	DECAL,LABEL,LOWER MIDRAIL	1
16	133046GT	DECAL,INPUT POWER,230VAC	1
17	133490GT	DECAL,INST.HAND CONTROLS	1
18	216056GT	DECAL,ATTENTION,NOT FOR CONSUM	1
19	1280819GT	DECAL,WARNING,CANCER AND REPRODUCTIVE HARM, PROP 65	1
20	1294685GT	DECAL,ANNUAL INSP***, MINI	1
21	1298492GT	DECAL, 100VAC, 15A, 3x2.25	1
22	1298705GT	DECAL, DANGER, MAX CAPACITY 350LBS, SIDE FORCE 45LBS	1
23	1298709GT	DECAL, DANGER, MAX CAPACITY 300LBS, SIDE FORCE 45LBS	1
24	1298945GT	DECAL, PLAT LOCATE LIGHT	1
25	1298997GT	DECAL, DANGER, GENERAL SAFETY	1



106.1 Decals with Symbol, Machine View, Front (from SN AWPP-100000)

NOTE:
*Decal is the same on other side

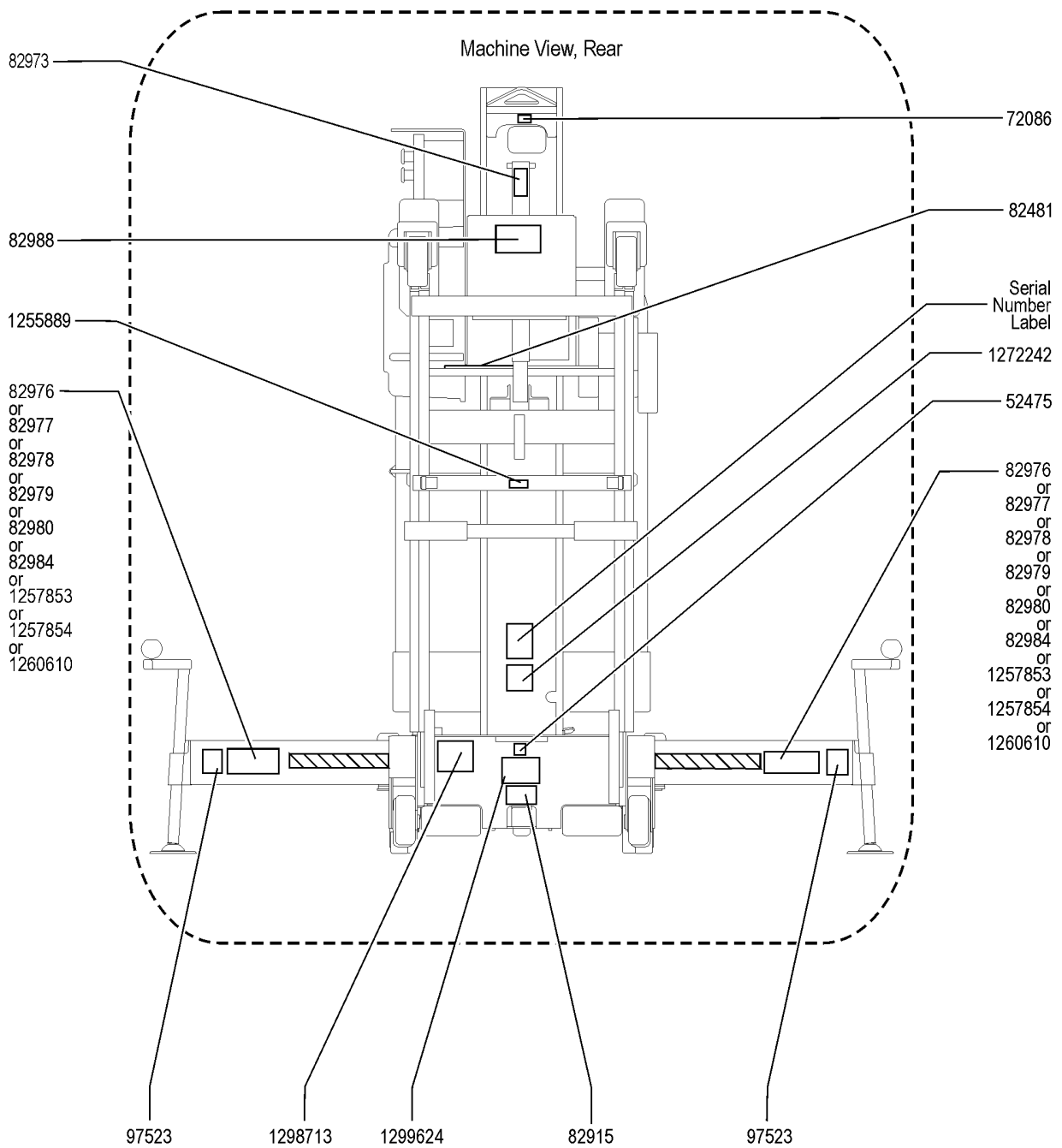


106.1 Decals with Symbol, Machine View, Front (from SN AWPP-100000)

Item	Part No.	Description	Qty.
-	1306223GT	INSTRUCTIONS,INSTALL,COMP,SYMBOL, AWP	1
-	1306224GT	DECAL KIT, AWP,COMP,SYMBOL,ANSI & CE	1
1	28174GT	DECAL,POWER TO PLATFORM 230V	1
2	28235GT	DECAL,POWER TO PLATFORM 115V	1
3	52475GT	DECAL,LABEL,TRANSPORT TIEDOWN*	2
4	52999GT	DECAL,COSMETIC,GENIE AWP-20S	2
5	62992GT	DECAL,COSMETIC,GENIE AWP-25S	2
6	62993GT	DECAL,COSMETIC,GENIE AWP-30S	2
7	62994GT	DECAL,COSMETIC,GENIE AWP-36S	2
8	62995GT	DECAL,COSMETIC,GENIE AWP-40S	2
9	82802GT	DECAL,LABEL,FUNCTION ENABLE	1
10	82976GT	DECAL,DANGER,20 IN OUTRIGGR,CE	2
11	82977GT	DECAL,DANGER,26 IN OUTRIGGR,CE	2
12	82978GT	DECAL,DANGER,30.5 IN OUTRGR,CE	2
13	82979GT	DECAL,DANGER,36 IN OUTRIGGR,CE	2
14	82980GT	DECAL,DANGER,40 IN OUTRIGGR,CE	2
15	82984GT	DECAL,DANGER,85 IN OUTRIGGR,CE	2
16	97522GT	DECAL,LABEL,WHEEL LOAD,AWP	4
17	97523GT	DECAL,LABEL,OUTRIGGER LOAD AWP	2
18	1255889GT	DECAL,SYMBOL-READ THE MANUAL	1
19	1257853GT	DECAL,DNGR,75",OUTRIGGR,CE	2
20	1257854GT	DECAL,DNGR,60",OUTRIGGR,CE	2
21	1260610GT	DECAL,DNGR,46",OUTRIGGR,CE	2
22	1281175GT	DECAL,LANYARD,FALL RESTRAINED	1
23	1294398GT	DECAL, ANSI/CSA COMPLIANT	1



107.1 Decals with Symbol, Machine View, Rear (from SN AWPP-100000)

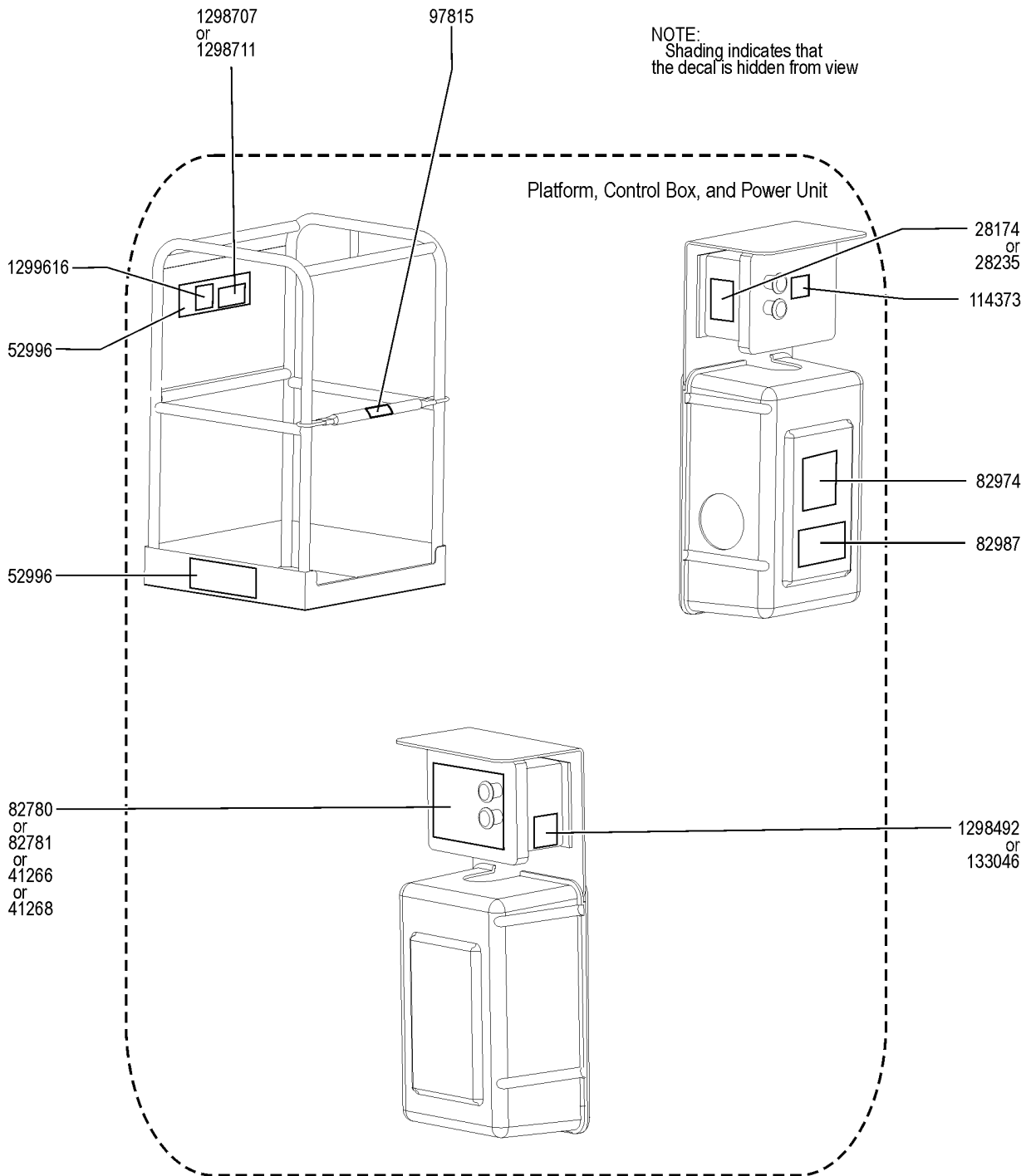


107.1 Decals with Symbol, Machine View, Rear (from SN AWPP-100000)

<i>Item</i>	<i>Part No.</i>	<i>Description</i>	<i>Qty.</i>
1	52475GT	DECAL,LABEL,TRANSPORT TIEDOWN*	1
2	72086GT	DECAL,LABEL,LIFTING EYE	1
3	82481GT	DECAL,SYMBOL-BATTERY SAFETY	1
4	82915GT	DECAL,LABEL,AUX LOWERING	1
5	82973GT	DECAL,WARNING,INSERT PIN	1
6	82976GT	DECAL,DANGER,20 IN OUTRIGGR,CE	2
7	82977GT	DECAL,DANGER,26 IN OUTRIGGR,CE	2
8	82978GT	DECAL,DANGER,30.5 IN OUTRGR,CE	2
9	82979GT	DECAL,DANGER,36 IN OUTRIGGR,CE	2
10	82980GT	DECAL,DANGER,40 IN OUTRIGGR,CE	2
11	82984GT	DECAL,DANGER,85 IN OUTRIGGR,CE	2
12	82988GT	DECAL,TILTBACK OPERATION,SYMB	1
13	97523GT	DECAL,LABEL,OUTRIGGER LOAD AWP	2
14	1255889GT	DECAL,SYMBOL-READ THE MANUAL	1
15	1257853GT	DECAL,DNGR,75",OUTRIGGR,CE	2
16	1257854GT	DECAL,DNGR,60",OUTRIGGR,CE	2
17	1260610GT	DECAL,DNGR,46",OUTRIGGR,CE	2
18	1272242GT	DECAL,MACHINE REGISTRATION/OWN	1
19	1298713GT	DECAL, LABEL-TRANSPORT DIGRAM, AWP	1
20	1299624GT	DECAL, SYMBOL, LOAD SHIFT HAZARD	1



108.1 Decals with Symbol, Platform, Control Box, and Power Unit (from SN AWPP-100000)

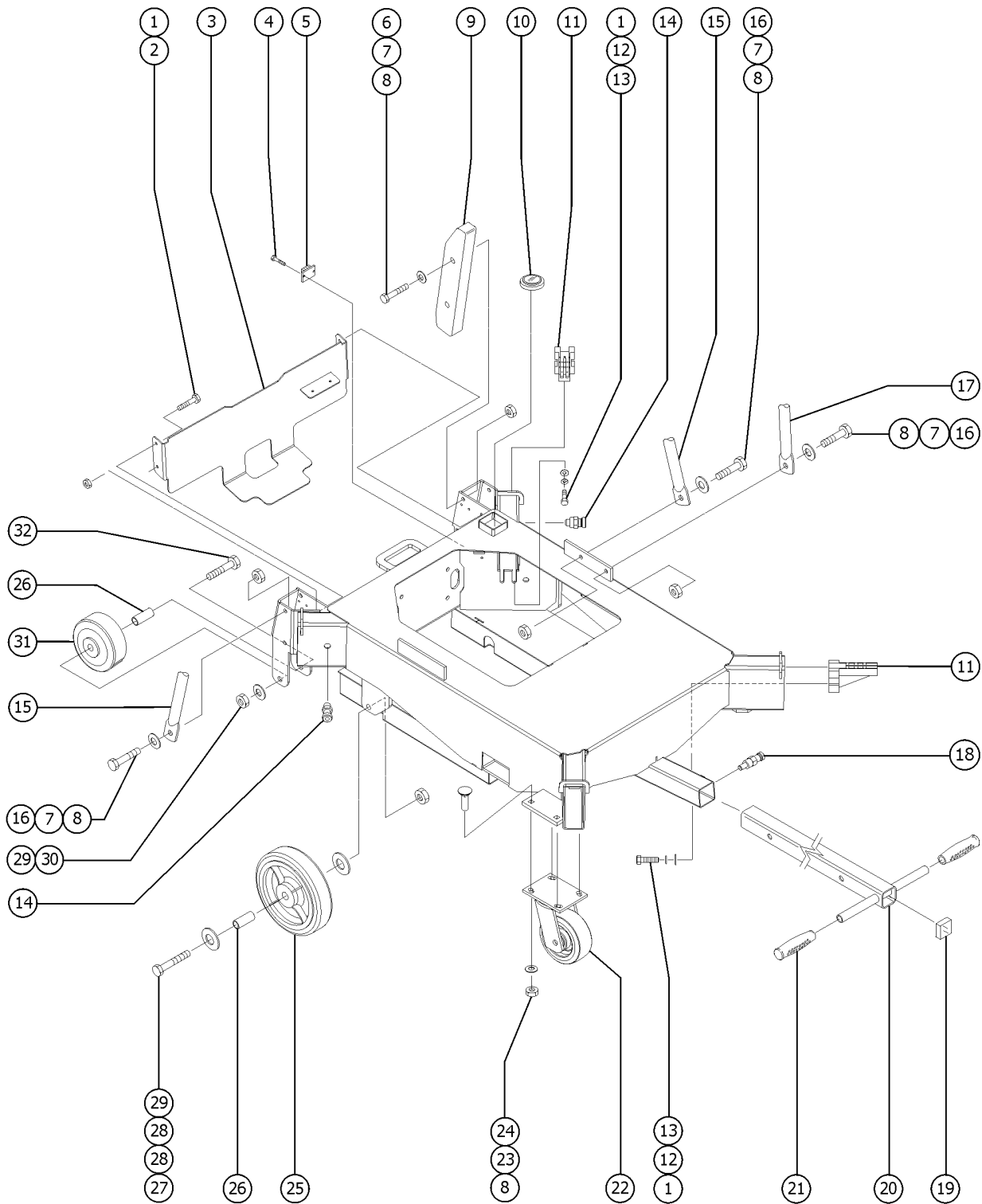


108.1 Decals with Symbol, Platform, Control Box, and Power Unit (from SN AWPP-100000)

<i>Item</i>	<i>Part No.</i>	<i>Description</i>	<i>Qty.</i>
-	1306225GT	INSTRUCTIONS,INSTALL,PLAT,SYMBOL, AWP	1
-	1306226GT	DECAL KIT, AWP,PLAT,SYMBOL,ANSI & CE	1
1	28174GT	DECAL,POWER TO PLATFORM 230V	1
2	28235GT	DECAL,POWER TO PLATFORM 115V	1
3	41266GT	DECAL,INTRLOCK.DISPLAY,AIR,STD	1
4	41268GT	DECAL,INTLOC.DISPLAY,AIR,NB/RT	1
5	52996GT	DECAL,COSMETIC,GENIE LOGO	2
6	82780GT	DECAL,INTLCK DISPLY AWP STD***	1
7	82781GT	DECAL,INTLCK DISPLY AWP NB/RT*	1
8	82974GT	DECAL,WARNING,COLLISION HAZARD	1
9	82987GT	DECAL,DANGER,ELEC HAZ SYMB	1
10	97815GT	DECAL,LABEL,LOWER MIDRAIL	1
11	114373GT	DECAL,CE ELECTRICUTION HAZARD	1
12	133046GT	DECAL,INPUT POWER,230VAC	1
13	1298492GT	DECAL, 100VAC, 15A, 3x2.25	1
14	1298707GT	DECAL, DANGER, MAX CAPACITY 159KG, SIDE FORCE 200N	1
15	1298711GT	DECAL, DANGER, MAX CAPACITY 136KG, SIDE FORCE 200N	1
16	1299616GT	DECAL, SYMBOL, PLAT LOCATE LIGHT	1



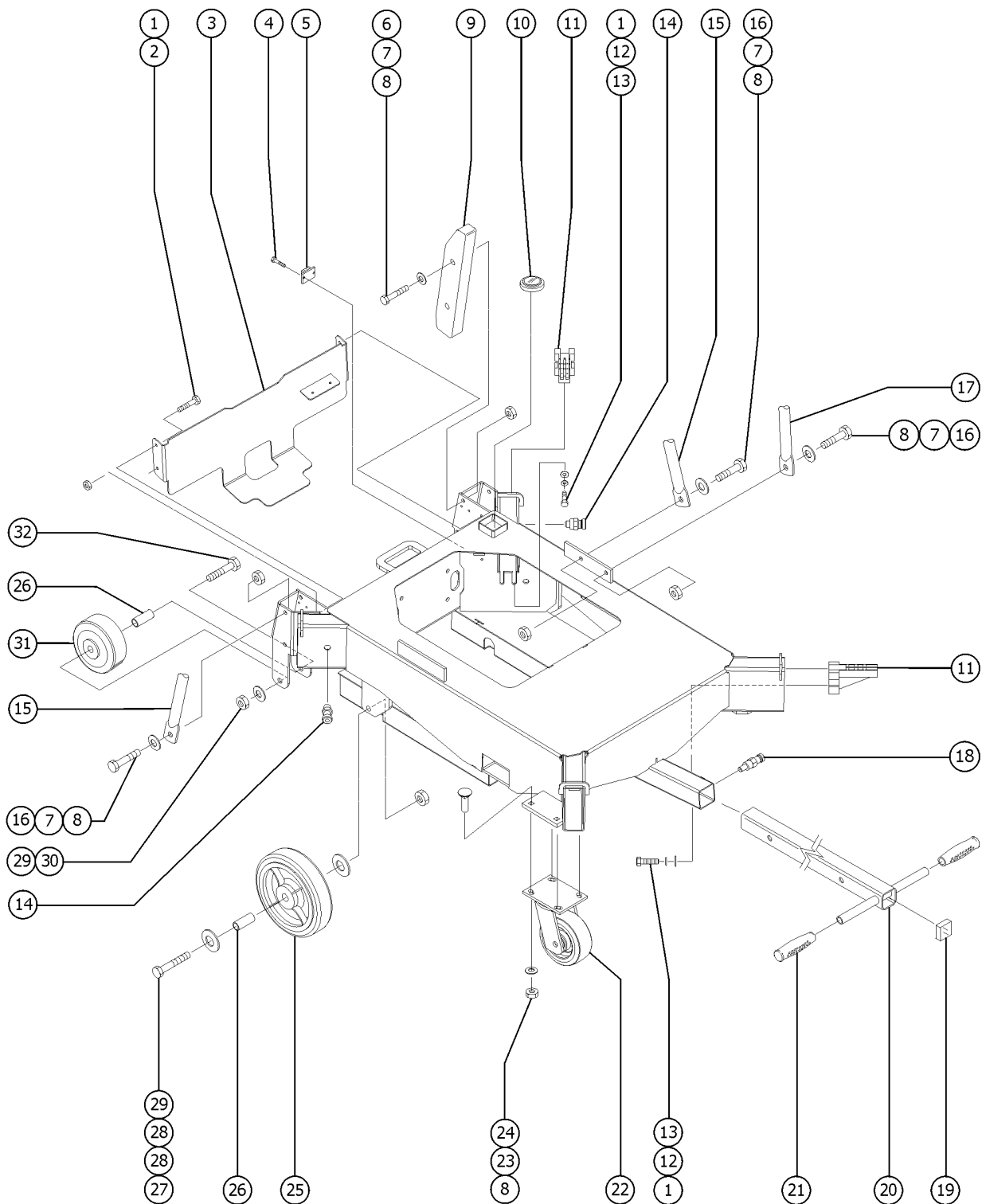
201.1 Standard Base Assembly



Item	Part No.	Description	Qty.
A	107069GT	BASE ASSY,STD W/ WORD DECALS (USA and Canada models) (AWP-20S, AWP-25S, AWP-30S and AWP-36S) (includes items 4, 5, 10, 14 and 18)(to SN AWPP-99999)
A-	109605GT	WLDMT, STD BASE, AWP	1
B	107071GT	BASE ASY,STD,WRD,AWP40,USA,CSA (USA, Canada models) (USA and Canada models) (AWP-40S) (includes item 4, 10, 14, 18)(to SN AWPP-99999)
B-	109605GT	WLDMT, STD BASE, AWP	
C	107070GT	BASE ASSY,STD W/ SYM DECALS (Asia, South America and Europe models) (USA and Canada models) (AWP-20S, AWP-25S, AWP-30S and AWP-36S) (includes items 4, 5, 10, 14 and 18)(to SN AWPP-99999)
C-	109605GT	WLDMT, STD BASE, AWP	
D	107072GT	BASE ASSY,STD,SYM,AWP-40S,CE (Europe models) (USA and Canada models) (AWP-40S) (includes items 4, 5, 10, 14, 18)(to SN AWPP-99999)
D-	109605GT	WLDMT, STD BASE, AWP	
1	6090GT	SCREW,HHC,1/4-20 X .75	
2	6091GT	NUT,NYLOCK,1/4-20	
3A	150153GT	CVR ASSY W/ WORD DECAL, STD (USA, Australia, Canada models)(to SN AWPP-99999)
3B	150154GT	CVR ASSY W/ SYM DECAL, STD (Asia, South America, Europe models)(to SN AWPP-99999)
4	10153GT	SCREW,PHIL,PHM,6-32X.38,SF.TAP	
5	80708GT	TERMINAL STRIP ASSY,BASE,AWP-S (AC and DC model) 1
5-	74917GT	JUMPER COMB, 2-WAY,WIELAND	
5-	76479GT	TERMINAL BLK,INLINE,2-PORT	
5-	76480GT	TERMINAL BLK,END	
5-	76481GT	TERMINAL BLK,END,4-PORT	
6	5224GT	SCREW,HHC,3/8-16 X 2	
7	6097GT	WASHER,FLAT,USS,3/8",Y	
8	4828GT	NUT,NYLOCK,3/8-16	
9	27415GT	BLOCK, GUIDE, AWP	2
10	6714GT	LEVEL,BUBBLE	1
11		Ref. Outrigger Interlock Bracket Assembly, Standard Base (refer to 205.1)
12	6356GT	WASHER,LOCK,.25	
13	6638GT	WASHER,FLAT,USS,1/4"Y	
14	6825GT	PIN,OUTRIGGER LOCK	4



201.1 Standard Base Assembly

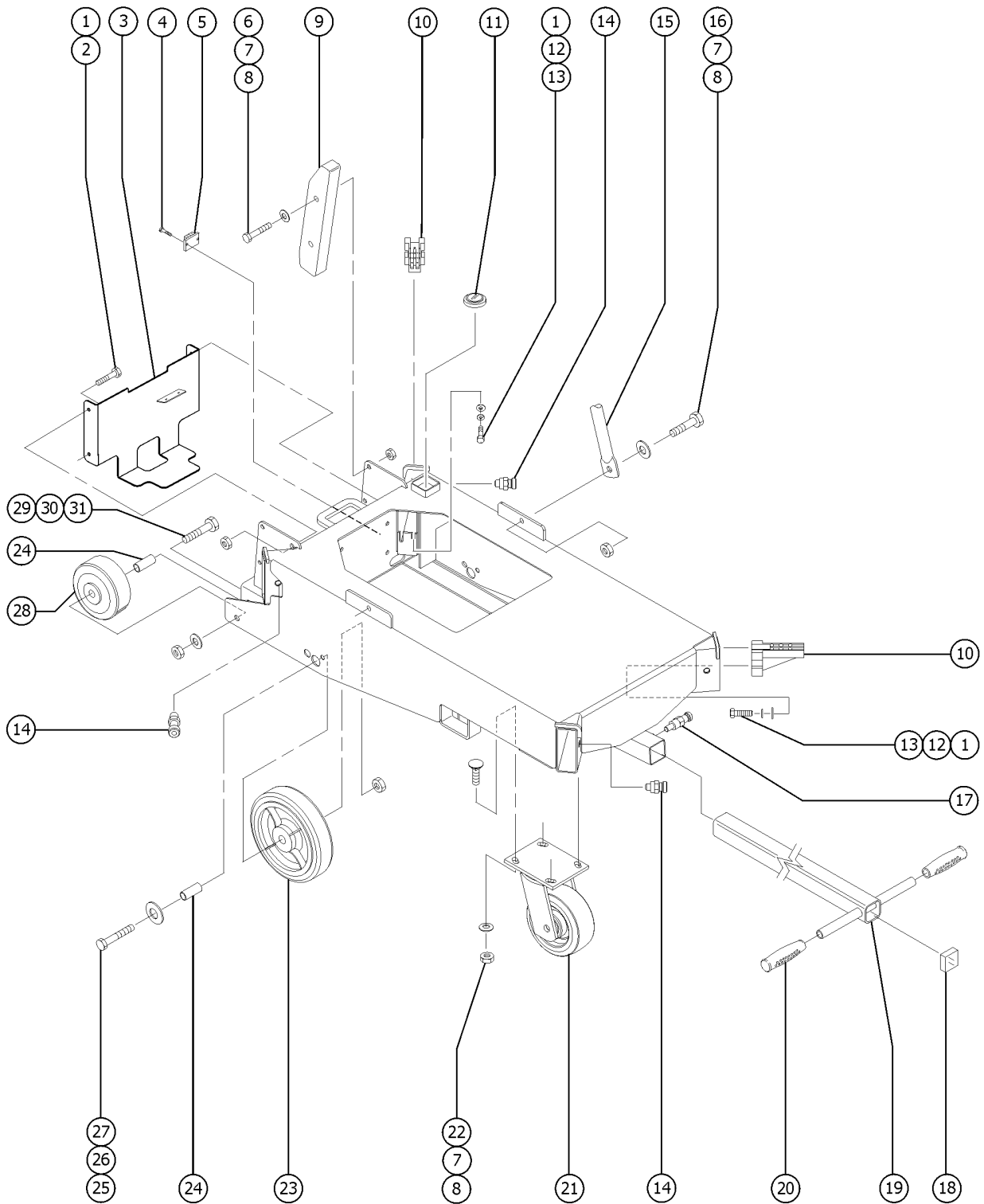


201.1 Standard Base Assembly

Item	Part No.	Description	Qty.
15A	32425-SGT	MAST BRACE,L.H. (AWP-20S, AWP-25S and AWP-30S)(40.3 inches / 102.36 cm)	1
15B	32424-SGT	MAST BRACE,R.H. (AWP-20S, AWP-25S and AWP-30S)(40.3 inches / 102.36 cm)	
15C	38344-SGT	STRUT,TILTBACK,L.H.AWP96 (AWP-36S and AWP-40S)(27.7 inches / 70.35 cm)	1
15D	38345-SGT	STRUT,TILTBACK,R.H.AWP96 (AWP-36S and AWP-40S)(27.7 inches / 70.35 cm)	
15E	38343-SGT	STRUT,TILTBACK,R.H.AWP96 (AWP-36S and AWP-40S)(28.1 inches / 71.37 cm)	1
15F	38342-SGT	STRUT,TILTBACK,L.H.AWP96 (AWP-36S and AWP-40S)	
16	6019GT	SCREW,HHC,3/8-16 X 1.25 GRD 5	
17A	38340-SGT	STRUT, TILTBACK,L.H.AWP96 (AWP-36S and AWP-40S)(40.7 inches / 103.37 cm)	1
17B	38341-SGT	STRUT, TILTBACK,R.H.AWP96 (AWP-36S and AWP-40S)(40.7 inches / 103.37 cm)	
18	32375GT	PIN,LOCK,LONG***	1
19	46567GT	CAP, PLASTIC,1.75X.120	1
20A	37395GT	T-HANDLE WELDMENT,ZINC,SHORT AWP-20S, AWP-25S, AWP-36S (31.87 inches)	1
20B	38348GT	WELDMENT,LONG T-HANDLE AWP-30S, AWP-40S (37.87 inches)	
21	6587GT	HANDLE GRIP, RUBBER .75 X 4.5	2
22A	57732GT	CASTER,PL, SW,5 X 2, 375 LBS*	2
22B	57740GT	CASTER,PL,SW LOCK, SB, 5 X 2 CE market	2
23	54355GT	WASHER,FLAT,SAE,3/8",Y	
24	105092GT	BOLT,CARRIAGE,3/8-16X1.25,GR5	
25	57787-SGT	KIT,WHEEL,TPE,8 X 2,3/4,1/2	2
26	37202GT	BUSHING,3/4ODX2.44LGX.5ID	2
27	47279GT	SCREW,HHC,1/2-13 X 3.75	
28	6095GT	WASHER,FLAT,USS,1/2",Y	
29	6198GT	NUT,NYLOCK,1/2-13	
30	13066GT	WASHER,FLAT,.5 HARDENED	
31	57785GT	WHEEL,TPE,5 X 2, 3/4, 1/2**	2
31-	37202GT	BUSHING,3/4ODX2.44LGX.5ID	
32	69226GT	SCREW,AXLE,1/2-13X3.38,W/GREAS	2



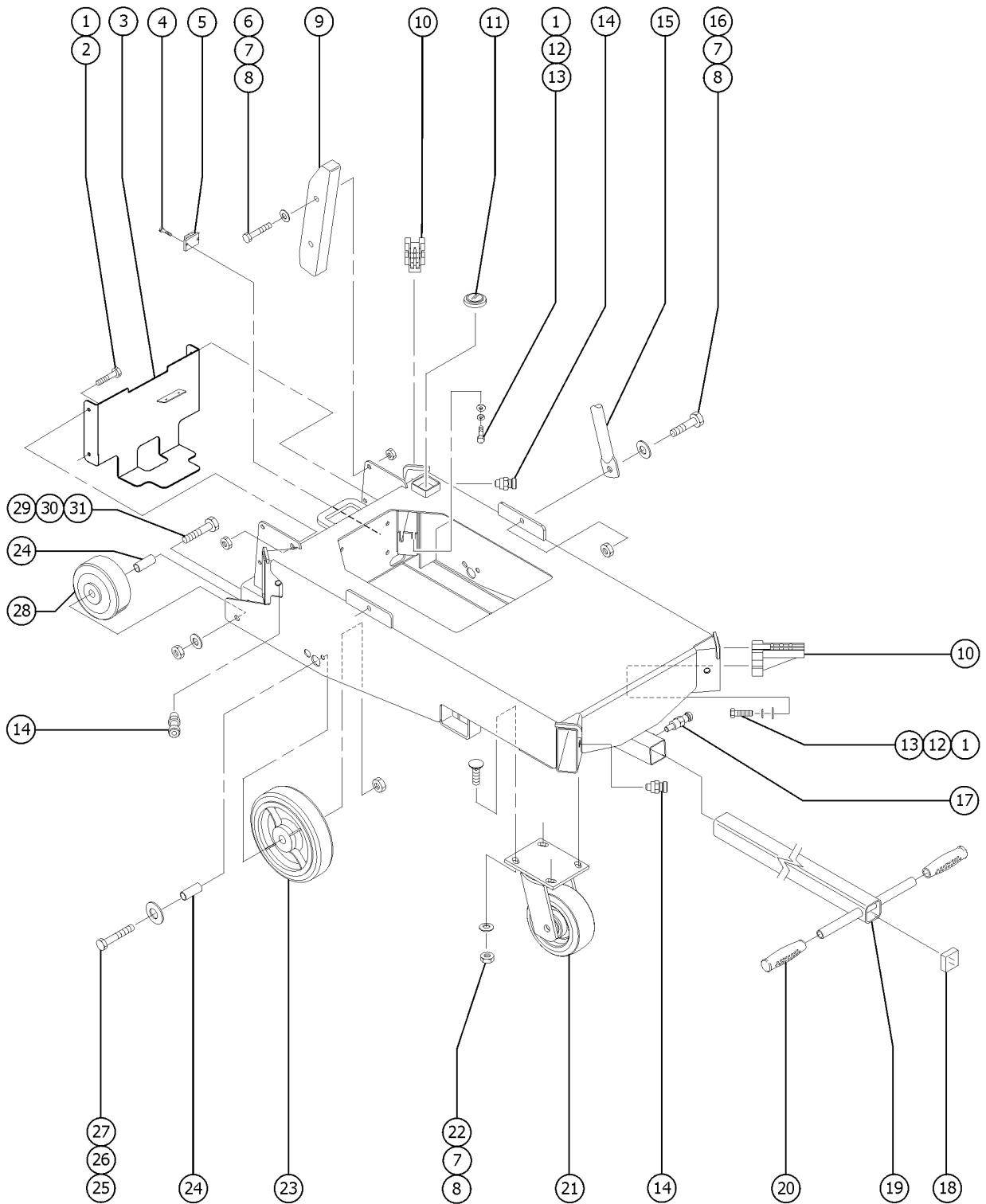
202.1 Narrow Base Assembly



Item	Part No.	Description	Qty.
A	40272GT	BASE ASSY., NRW.& RT., AWP-S (USA, Australia and Canada models) (includes items 4, 5, 11 and 14)(to SN AWPP-99999)	
A-	109595GT	WLDMT, NRW BASE, AWP	
B	107074GT	BASE ASSY,NRW,SYMB,AWPSS * (Asia, South America and Europe models) (includes items 4, 5 and 11 and 14)(to SN	
B-	109595GT	WLDMT, NRW BASE, AWP	
C	80362GT	KIT,CONVERSION, RT BASE, AWP	
1	6090GT	SCREW,HHC,1/4-20 X .75	
2	6091GT	NUT,NYLOCK,1/4-20	
3A	150155GT	COVER ASSY W/WRD DECAL,NRW/RT* (to SN AWPP-99999)	
3B	150156GT	COVER ASSY W/SYM DECAL,NRW/RT* (to SN AWPP-99999)	
4	10153GT	SCREW,PHIL,PHM,6-32X.38,SF.TAP	
5	80708GT	TERMINAL STRIP ASSY,BASE,AWP-S (AC and DC models)	1
5-	74917GT	JUMPER COMB, 2-WAY,WIELAND	
5-	76479GT	TERMINAL BLK,INLINE,2-PORT	
5-	76480GT	TERMINAL BLK,END	
5-	76481GT	TERMINAL BLK,END,4-PORT	
6	5224GT	SCREW,HHC,3/8-16 X 2	
7	54355GT	WASHER,FLAT,SAE,3/8",Y	
8	4828GT	NUT,NYLOCK,3/8-16	
9	27415GT	BLOCK, GUIDE, AWP	2
10		Ref. Outrigger Interlock Bracket Assembly (refer to 205.1)	
11	6714GT	LEVEL,BUBBLE	1
12	6356GT	WASHER,LOCK,.25	
13	6638GT	WASHER,FLAT,USS,1/4"Y	
14	6825GT	PIN,OUTRIGGER LOCK	4
15A	32425-SGT	MAST BRACE,L.H. (AWP-20S, AWP-25S and AWP-30S)	1
15B	32424-SGT	MAST BRACE,R.H. (AWP-20S, AWP-25S and AWP-30S)	1
16	6019GT	SCREW,HHC,3/8-16 X 1.25 GRD 5	
17	32375GT	PIN,LOCK,LONG***	1



202.1 Narrow Base Assembly

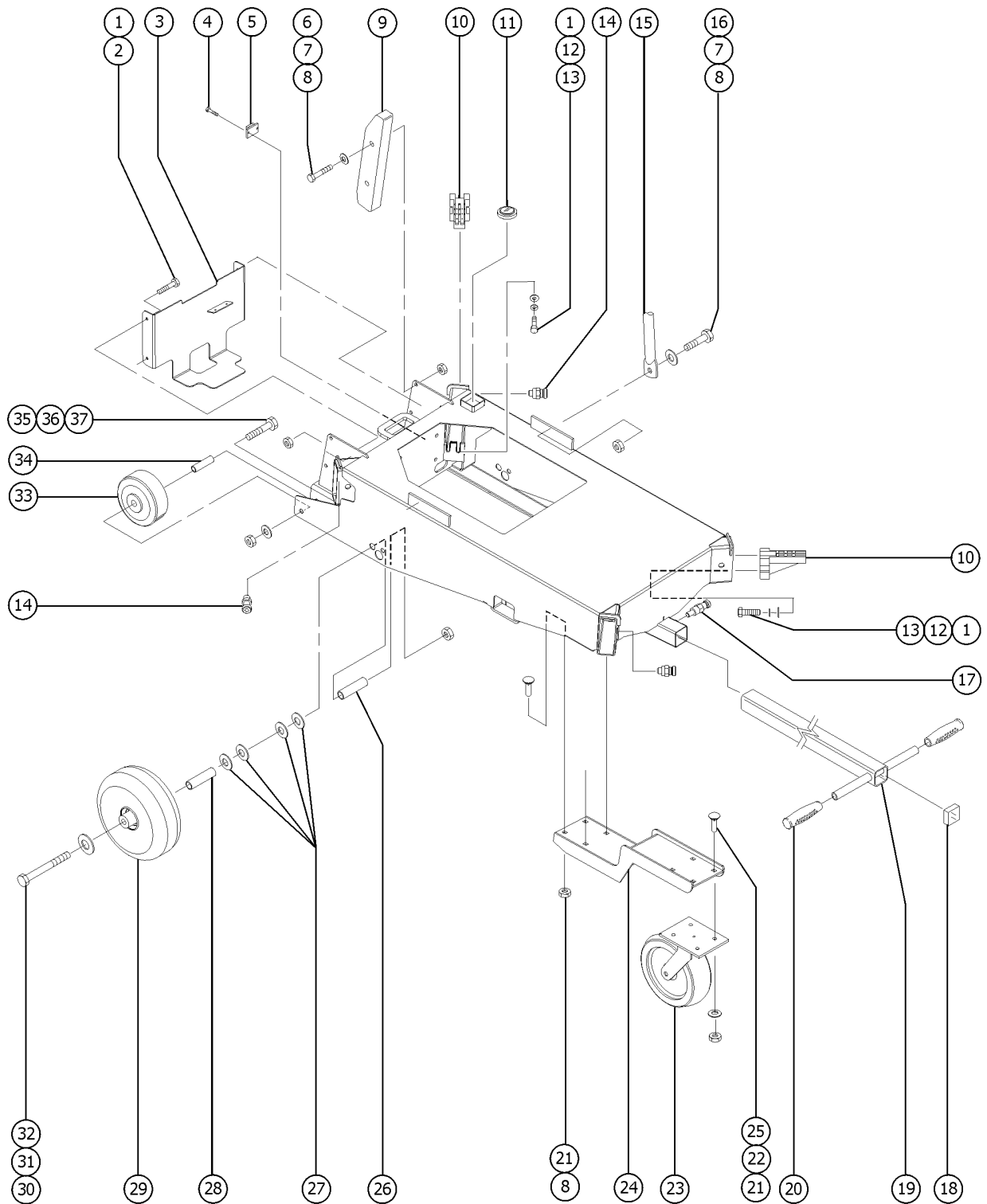


202.1 Narrow Base Assembly

Item	Part No.	Description	Qty.
18	46567GT	CAP, PLASTIC,1.75X.120	1
19	37395GT	T-HANDLE WELDMENT,ZINC,SHORT (AWP-20S, AWP-25S and AWP-30S) (31.87 inches)	1
20	6587GT	HANDLE GRIP, RUBBER .75 X 4.5	2
21	57732GT	CASTER,PL, SW,5 X 2, 375 LBS*	2
22	105092GT	BOLT,CARRIAGE,3/8-16X1.25,GR5	
23	57787-SGT	KIT,WHEEL,TPE,8 X 2,3/4,1/2	2
		(includes bushing 37202)	
24	37202GT	BUSHING,3/4ODX2.44LGX.5ID	2
25	47279GT	SCREW,HHC,1/2-13 X 3.75	
26	6095GT	WASHER,FLAT,USS,1/2",Y	
27	6086GT	NUT,LP NYLOCK,1/2-13	
28	57785GT	WHEEL,TPE,5 X 2, 3/4, 1/2**	2
		(includes bushing 37202)	
28-	37202GT	BUSHING,3/4ODX2.44LGX.5ID	
29	69226GT	SCREW,AXLE,1/2-13X3.38,W/GREAS	2
30	13066GT	WASHER,FLAT,.5 HARDENED	
31	6198GT	NUT,NYLOCK,1/2-13	



203.1 Rough Terrain Base Assembly

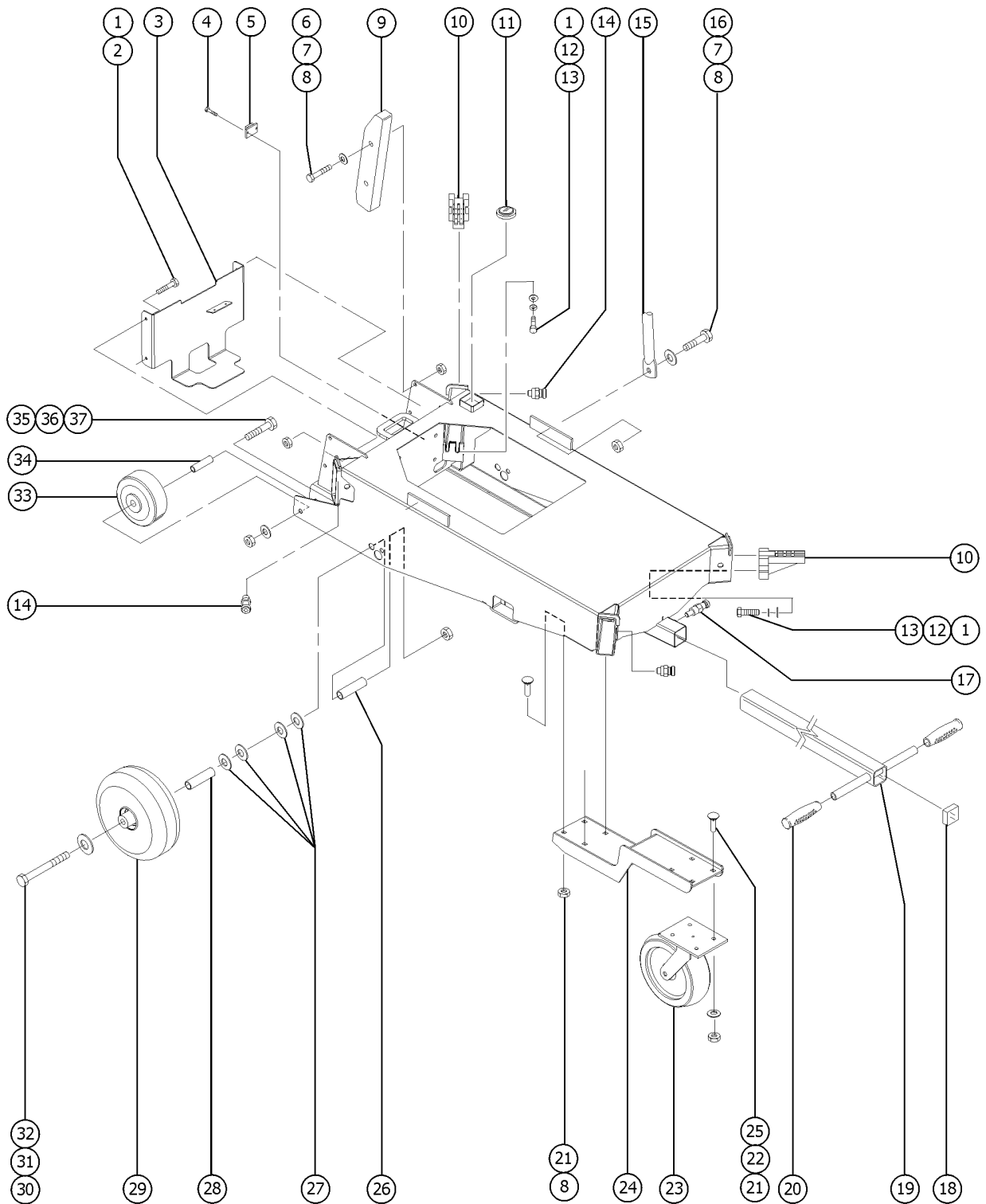


203.1 Rough Terrain Base Assembly

Item	Part No.	Description	Qty.
A	40272GT	BASE ASSY., NRW.& RT., AWP-S (USA, Australia and Canad models) (includes items 4, 5, 11 and 14)(to SN AWPP-99999)	
B	107074GT	BASE ASSY,NRW,SYMB,AWPSS * (Asia, South America and Europe models) (includes items 4, 5, 11 and 14)(to SN AWPP-99999)	
C	80363GT	KIT,CONVERSION,NARROW BASE,AWP	
1	6090GT	SCREW,HHC,1/4-20 X .75	
2	6091GT	NUT,NYLOCK,1/4-20	
3A	150155GT	COVER ASSY W/WRD DECAL,NRW/RT* (to SN AWPP-99999)	
3B	150156GT	COVER ASSY W/SYM DECAL,NRW/RT* (to SN AWPP-99999)	
4	10153GT	SCREW,PHIL,PHM,6-32X.38,SF.TAP	
5	80708GT	TERMINAL STRIP ASSY,BASE,AWP-S (AC and DC models)	1
5-	74917GT	JUMPER COMB, 2-WAY,WIELAND	
5-	76479GT	TERMINAL BLK,INLINE,2-PORT	
5-	76480GT	TERMINAL BLK,END	
5-	76481GT	TERMINAL BLK,END,4-PORT	
6	5224GT	SCREW,HHC,3/8-16 X 2	
7	6097GT	WASHER,FLAT,USS,3/8",Y	
8	4828GT	NUT,NYLOCK,3/8-16	
9	27415GT	BLOCK, GUIDE, AWP	2
10		Ref. Outrigger Interlock Bracket Assembly (refer to 205.1)	
11	6714GT	LEVEL,BUBBLE	1
12	6356GT	WASHER,LOCK,.25	
13	6638GT	WASHER,FLAT,USS,1/4"Y	
14	6825GT	PIN,OUTRIGGER LOCK	4
15A	32425-SGT	MAST BRACE,L.H. (AWP-20S, AWP-25S and AWP-30S)	1
15B	32424-SGT	MAST BRACE,R.H. (AWP-20S, AWP-25S and AWP-30S)	
16	6019GT	SCREW,HHC,3/8-16 X 1.25 GRD 5	
17	32375GT	PIN,LOCK,LONG***	1
18	46567GT	CAP, PLASTIC,1.75X.120	1
19	37395GT	T-HANDLE WELDMENT,ZINC,SHORT (AWP-20S, AWP-25S and AWP-30S) (31.87 inches)	1



203.1 Rough Terrain Base Assembly

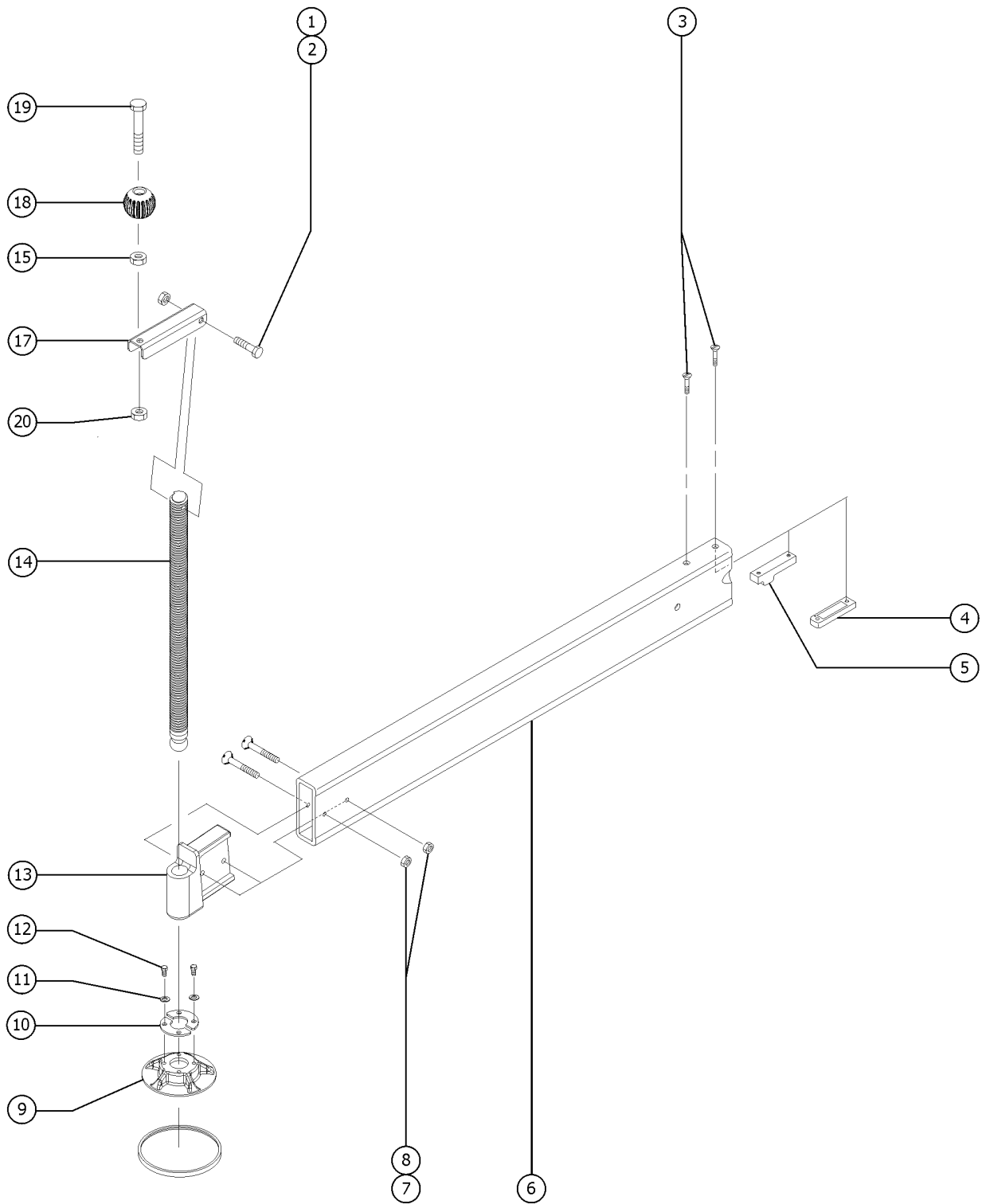


203.1 Rough Terrain Base Assembly

<i>Item</i>	<i>Part No.</i>	<i>Description</i>	<i>Qty.</i>
20	6587GT	HANDLE GRIP, RUBBER .75 X 4.5	2
21	64154GT	BOLT,CARRIAGE,3/8-16 X1.00,G5	
22	54355GT	WASHER,FLAT,SAE,3/8",Y	
23	38702GT	CASTER, 8", FULL PNEUMATIC	2
24	109665GT	WELDMENT, CASTER MOUNT, RT	
25	7713GT	NUT, LP NYLOCK, 3/8-16	
26	57099GT	SPACER,.75X1.00,2.50" LG	2
27	30748GT	WASHER,SHIM,1.01 X 1.63 X.062	
28	57098GT	BUSHNG,SPANNER,.75X1.00X3.5 LG	2
29	57252GT	WHEEL,PNEUMATIC,10",1" HUB***	2
30	57100GT	SCREW,HHC,3/4-10 X 8	
31	6564GT	WASHER, SHIM,.765 X 1.312 X .093	
32	10258GT	NUT,NYLOCK,3/4-10,GRD.2	
33	57785GT	WHEEL,TPE,5 X 2, 3/4, 1/2**	2
34	37202GT	BUSHING,3/4ODX2.44LGX.5ID	2
35	69226GT	SCREW,AXLE,1/2-13X3.38,W/GREAS	2
36	13066GT	WASHER,FLAT,.5 HARDENED	
37	6198GT	NUT,NYLOCK,1/2-13	



204.1 Outrigger Assembly



204.1 Outrigger Assembly

Item	Part No.	Description	Qty.
A	109713GT	LEVELING JACK ASSEMBLY,AWP*** (includes items 1, 2 and 9 - 19)	
1	49377GT	SCREW,HHC,M6 X 40	1
2	49364GT	NUT,NYLOCK,M6X1.00	1
3	38596GT	SCREW,FHM,10-32X.5PHIL.W/PATCH	2
4		Ref. Outrigger Contact Assembly (AC and DC Models) (refer to 205.1)	
5		Ref. Outrigger Contact Assembly (Air Models) (refer to 205.1)	
6		Ref. Outrigger Tube Assembly (refer to 205.1)	
7	7713GT	NUT, LP NYLOCK, 3/8-16	2
8	6610GT	SCREW,FHS,3/8-16 X 2 GRD.8	2
9	124793GT	KIT,FOOTPAD,AWP (includes items 9-12)	1
10	109715GT	PLATE,FOOTPAD RETAINER	2
11	124792GT	WASHER,LOCK SPLIT,6MM,11.8MM	4
12	124552GT	SCREW,HHC,M6-12MM	4
13	24900GT	LEVELING JACK CASTING,AWP	1
14	109689GT	LEVELING ROD	1
15	124569GT	NUT,HEX,M10X1.5.LP	1
17	8214GT	HANDLE,LEVELING JACK,SHRT-ZINC	1
18	6082GT	HANDLE BALL KNOB	1
19	124568GT	SCREW,SHC,M10X1.5X55	1
20	22736GT	NUT,NYLOCK,M10X1.50	1



205.1 Outrigger Assembly Cross Reference Standard Base

Standard Base

Applicable Standard / Region	AWP-20 S (AC or DC)	AWP-25 S (AC or DC)	AWP-30 S (AC or DC)	AWP-30 S (Air)	AWP-36 S (AC or DC)	AWP-40 S (AC or DC)
ANSI/CSA (USA, Asia, SouthAmerica, Canada)(to SN AWPP-99999)						
Outrigger Assembly, Complete	107400	107400	107401	107402	107403	107404
Outrigger Tube Assembly (Fig. 204.1, item 6)	107100	107100	107102	107119	107104	107106
Interlock Bracket Assembly (Fig 201, item 11, Fig. 202.1 or 203.1, item 10)	40290	40290	40291	43006	40292	40292
Outrigger Contact Assembly (Fig. 204.1, item 4 or item 5)	40494	40494	40495	40954	40497	40498
CE (Europe)Indoor (to SN AWPP-99999); For all markets (from SN AWPP-100000)						
Outrigger Assembly, Complete	107405	107406	107407	107408	107409	107410
Outrigger Tube Assembly (Fig. 204.1, item 6)	107108	107109	107110	107122	107115	107116
Interlock Bracket Assembly (Fig 201, item 11, Fig. 202.1 or 203.1, item 10)	40290	40291	41336	43007	40292	40293
Outrigger Contact Assembly (Fig. 204.1, item 4 or item 5)	40494	40495	40496	40955	40497	40498
CE (Europe) Outdoor						
Outrigger Assembly	107411	107412	107412	1258584	107414	107415
Outrigger Tube Assembly (Fig. 204.1, item 6)	1258599	1257846	1257846	1257846	1257847	107118
Interlock Bracket Assembly (Fig 201, item 11, Fig. 202.1 or 203.1, item 10)	40290	40291	41336	43011	40292	40293
Outrigger Contact Assembly (Fig. 204.1, item 4 or item 5)	43622	43623	43623	41491	43624	43625

Outrigger Assembly, Complete includes items 1 through 20, figure 204.1

Outrigger Tube Assembly, Complete includes items 3 through 8, figure 204.1

ANSI/CSA (USA, Asia, SouthAmerica, Canada)Outdoor (from SN AWPP-100000)

Outrigger Assembly	1302864	1302865	1302865	1302866	1302867	1302868
Outrigger Tube Assembly (Fig. 204.1, item 6)	1302869	1302870	1302870	1302871	1302872	1302875
Interlock Bracket Assembly (Fig. 201, item 11, Fig. 202.1 or 203.1, item 10)	40290	40291	41336	43011	40292	40293
Outrigger Contact Assembly (Fig. 204.1, item 4 or item 5)	43622	43623	43623	41491	43624	43265

205.1 Outrigger Assembly Cross Reference Standard Base

Item	Part No.	Description	Qty.
1	40290GT	BRKT.INTLCK.CONTC.20"OUTRIGGER	4
2	40291GT	BRKT.INTLCK.CONTC.26"OUTRIGGER	
3	40292GT	BRKT.INTLCK.CONTC.36"OUTRIGGER	
4	40293GT	BRKT.INTLCK.CONTC.40"OUTRIGGER	
5	40494GT	CONTACT ASSY., 20" OUTRIGGER	4
6	40495GT	CONTACT ASSY.,26" OUTRIGGER	
7	40496GT	CONTACT ASSY.,30.5" OUTRIGGER	
8	40497GT	CONTACT ASSY.,36" OUTRIGGER	
9	40498GT	CONTACT ASSY.,40" OUTRIGGER	
10	40953GT	CAM,RIGHT	
11	40954GT	CAM,MIDDLE	
12	40955GT	CAM,LEFT	
13	41336GT	BRKT.INTLCK.CONTC.30.5"OUTRIGR	
14	41491GT	CAM,DOUBLE LEFT	
15	43006GT	BRKT.INTERLOCK ASSY,26"-AIR	
16	43007GT	BRKT.INTERLOCK ASSY,30.5"-AIR	
17	43011GT	BRKT.INTERLOCK ASSY,60"-AIR	
18	43622GT	CONTACT ASSY.,46",OUTRIGGER	
19	43623GT	CONTACT ASSY.,60",OUTRIGGER	
20	43624GT	CONTACT ASSY.,75",OUTRIGGER	
21	43625GT	CONTACT ASSY.,85",OUTRIGGER	
22	107100GT	OUTRIG.TUBE ASSY,20",ANSI,WRD	4
23	107102GT	OUTRIG TUBE ASSY,26"CSA,WRD	
24	107104GT	OUTRIG TUBE ASSY,36",WRD DECAL	
25	107106GT	OUTRIG TUBE ASSY,40",ANSI,WRD	
26	107108GT	OUTRIG TUBE ASSY,20"	
27	107109GT	OUTRIG TUBE ASSY,26"	
28	107110GT	OUTRIG TUBE ASSY,30.5"	



205.1 Outrigger Assembly Cross Reference Standard Base

Standard Base

Applicable Standard / Region	AWP-20 S (AC or DC)	AWP-25 S (AC or DC)	AWP-30 S (AC or DC)	AWP-30 S (Air)	AWP-36 S (AC or DC)	AWP-40 S (AC or DC)
ANSI/CSA (USA, Asia, SouthAmerica,Canada)(to SN AWPP-99999)						
Outrigger Assembly, Complete	107400	107400	107401	107402	107403	107404
Outrigger Tube Assembly (Fig. 204.1, item 6)	107100	107100	107102	107119	107104	107106
Interlock Bracket Assembly (Fig 201, item 11, Fig. 202.1 or 203.1, item 10)	40290	40290	40291	43006	40292	40292
Outrigger Contact Assembly (Fig. 204.1, item 4 or item 5)	40494	40494	40495	40954	40497	40498
CE (Europe)Indoor (to SN AWPP-99999); For all markets (from SN AWPP-100000)						
Outrigger Assembly, Complete	107405	107406	107407	107408	107409	107410
Outrigger Tube Assembly (Fig. 204.1, item 6)	107108	107109	107110	107122	107115	107116
Interlock Bracket Assembly (Fig 201, item 11, Fig. 202.1 or 203.1, item 10)	40290	40291	41336	43007	40292	40293
Outrigger Contact Assembly (Fig. 204.1, item 4 or item 5)	40494	40495	40496	40955	40497	40498
CE (Europe) Outdoor						
Outrigger Assembly	107411	107412	107412	1258584	107414	107415
Outrigger Tube Assembly (Fig. 204.1, item 6)	1258599	1257846	1257846	1257846	1257847	107118
Interlock Bracket Assembly (Fig 201, item 11, Fig. 202.1 or 203.1, item 10)	40290	40291	41336	43011	40292	40293
Outrigger Contact Assembly (Fig. 204.1, item 4 or item 5)	43622	43623	43623	41491	43624	43625

Outrigger Assembly, Complete includes items 1 through 20, figure 204.1

Outrigger Tube Assembly, Complete includes items 3 through 8, figure 204.1

ANSI/CSA (USA, Asia, SouthAmerica,Canada)Outdoor (from SN AWPP-100000)

Outrigger Assembly	1302864	1302865	1302865	1302866	1302867	1302868
Outrigger Tube Assembly (Fig. 204.1, item 6)	1302869	1302870	1302870	1302871	1302872	1302875
Interlock Bracket Assembly (Fig. 201, item 11, Fig. 202.1 or 203.1, item 10)	40290	40291	41336	43011	40292	40293
Outrigger Contact Assembly (Fig. 204.1, item 4 or item 5)	43622	43623	43623	41491	43624	43265

205.1 Outrigger Assembly Cross Reference Standard Base

Item	Part No.	Description	Qty.
29	107115GT	OUTRIG TUBE ASSY,36"	
30	107116GT	OUTRIG TUBE ASSY,40"	
31	107118GT	OUTRIG TUBE ASSY,85"	
32	107119GT	OUTRIG TUBE ASSY,26",ANSI,WRD	
33	107122GT	OUTRIG. TUBE ASSY,30.5	
34	107400GT	OUTRIGGER ASSY,STD,20/25	4
35	107401GT	OUTRIGGER ASSY,STD,30	
36	107402GT	OUTRIGGER ASSY,STD,30 AIR	
37	107403GT	OUTRIGGER ASSY,STD,36	
38	107404GT	OUTRIGGER ASSY,STD,40	
39	107405GT	OUTRIGGER ASSY,STD,20	
40	107406GT	OUTRIGGER ASSY,STD,25	
41	107407GT	OUTRIGGER ASSY,STD,30	
42	107408GT	OUTRIGGER ASSY,STD,30 AIR	
43	107409GT	OUTRIGGER ASSY,STD,36	
44	107410GT	OUTRIGGER ASSY,STD,40	
45	107411GT	OUTRIGGER ASSY,STD,20,CE	
46	107412GT	OUTRIGGER ASSY,STD,25/30,CE	
47	107414GT	OUTRIGGER ASSY,STD,36,CE	
48	107415GT	OUTRIGGER ASSY,STD,40,CE	
49	1257846GT	ASSY,OUTRIG TUBE,60",CE,SYM	
50	1257846GT	ASSY,OUTRIG TUBE,60",CE,SYM	
51	1257847GT	ASSY,OUTRIG TUBE,75",CE,SYM	
52	1258584GT	OUTRIGGER ASSY,STD,30 AIR,CE	
53	1258599GT	OUTRIGGER TUBE 46" CE,S-SERIES	
54	1302864GT	OUTRIGGER ASSY,STD,20,ANSI	
55	1302865GT	OUTRIGGER ASSY,STD,25/30,ANSI	
56	1302866GT	OUTRIGGER ASSY,STD,30 AIR,ANSI	



205.1 Outrigger Assembly Cross Reference Standard Base

Standard Base

Applicable Standard / Region	AWP-20 S (AC or DC)	AWP-25 S (AC or DC)	AWP-30 S (AC or DC)	AWP-30 S (Air)	AWP-36 S (AC or DC)	AWP-40 S (AC or DC)
ANSI/CSA (USA, Asia, SouthAmerica,Canada)(to SN AWPP-99999)						
Outrigger Assembly, Complete	107400	107400	107401	107402	107403	107404
Outrigger Tube Assembly (Fig. 204.1, item 6)	107100	107100	107102	107119	107104	107106
Interlock Bracket Assembly (Fig 201, item 11, Fig. 202.1 or 203.1, item 10)	40290	40290	40291	43006	40292	40292
Outrigger Contact Assembly (Fig. 204.1, item 4 or item 5)	40494	40494	40495	40954	40497	40498
CE (Europe)Indoor (to SN AWPP-99999); For all markets (from SN AWPP-100000)						
Outrigger Assembly, Complete	107405	107406	107407	107408	107409	107410
Outrigger Tube Assembly (Fig. 204.1, item 6)	107108	107109	107110	107122	107115	107116
Interlock Bracket Assembly (Fig 201, item 11, Fig. 202.1 or 203.1, item 10)	40290	40291	41336	43007	40292	40293
Outrigger Contact Assembly (Fig. 204.1, item 4 or item 5)	40494	40495	40496	40955	40497	40498
CE (Europe) Outdoor						
Outrigger Assembly	107411	107412	107412	1258584	107414	107415
Outrigger Tube Assembly (Fig. 204.1, item 6)	1258599	1257846	1257846	1257846	1257847	107118
Interlock Bracket Assembly (Fig 201, item 11, Fig. 202.1 or 203.1, item 10)	40290	40291	41336	43011	40292	40293
Outrigger Contact Assembly (Fig. 204.1, item 4 or item 5)	43622	43623	43623	41491	43624	43625

Outrigger Assembly, Complete includes items 1 through 20, figure 204.1

Outrigger Tube Assembly, Complete includes items 3 through 8, figure 204.1

ANSI/CSA (USA, Asia, SouthAmerica,Canada)Outdoor (from SN AWPP-100000)

Outrigger Assembly	1302864	1302865	1302865	1302866	1302867	1302868
Outrigger Tube Assembly (Fig. 204.1, item 6)	1302869	1302870	1302870	1302871	1302872	1302875
Interlock Bracket Assembly (Fig. 201, item 11, Fig. 202.1 or 203.1, item 10)	40290	40291	41336	43011	40292	40293
Outrigger Contact Assembly (Fig. 204.1, item 4 or item 5)	43622	43623	43623	41491	43624	43265

205.1 Outrigger Assembly Cross Reference Standard Base

<i>Item</i>	<i>Part No.</i>	<i>Description</i>	<i>Qty.</i>
57	1302867GT	OUTRIGGER ASSY,STD,36,ANSI	
58	1302868GT	OUTRIGGER ASSY,STD,40,ANSI	
59	1302869GT	OUTRIGGER TUBE ASSY,46",ANSI	
60	1302870GT	OUTRIGGER TUBE ASSY,60",ANSI	
61	1302871GT	OUTRIGGER TUBE ASSY,60" AIR,ANSI	
62	1302872GT	OUTRIGGER TUBE ASSY,75",ANSI	
63	1302875GT	OUTRIGGER TUBE ASSY,85",ANSI	



205.2 Outrigger Assembly Cross Reference Narrow or Rough Terrain Base

Narrow Base or Rough Terrain Base

Applicable Standard / Region	AWP-20 S (AC or DC)	AWP-25 S (AC or DC)	AWP-30 S (AC or DC)	AWP-30 S (Air)
ANSI/CSA (USA, Asia, SouthAmerica, Canada)(to SN AWPP-99999)				
Outrigger Assembly, Complete	107416 (20")	107416 (20")	107417 (26")	107418 (26")
Outrigger Tube Assembly (Fig. 204.1, item 6)	107100 (20")	107100 (20")	107102 (26")	107119 (26")
Interlock Bracket Assembly (Fig 201, item 11, Fig. 202.1 or 203.1, item 10)	40290	40290	40291	43006
Outrigger Contact Assembly (Fig. 204.1, item 4 or item 5)	40494	40494	40495	40954
CE (Europe) Indoor (to SN AWPP-99999); For all markets (from SN AWPP-100000)				
Outrigger Assembly, Complete	107419 (26")	107419 (26")	107420 (36")	107421 (36")
Outrigger Tube Assembly (Fig. 204.1, item 6)	107109 (26")	107109 (26")	107115 (36")	107123 (36")
Interlock Bracket Assembly (Fig 201, item 11, Fig. 202.1 or 203.1, item 10)	40291	40291	40292	43008
Outrigger Contact Assembly (Fig. 204.1, item 4 or item 5)	40494	40495	40497	40955

Outrigger Assembly, Complete includes items 1 through 20, figure 204.1

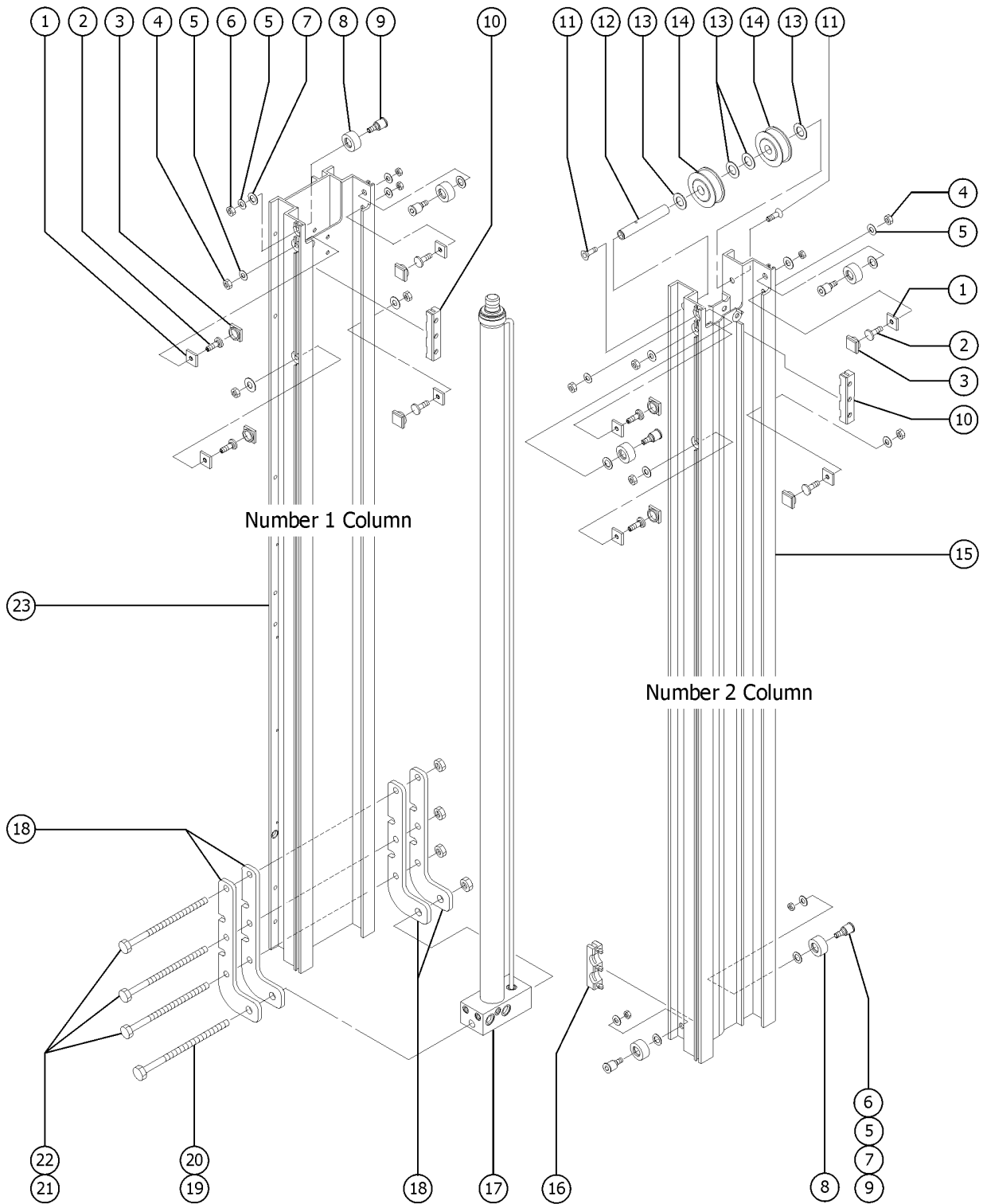
Outrigger Tube Assembly, Complete includes items 3 through 8, figure 204.1

205.2 Outrigger Assembly Cross Reference Narrow or Rough Terrain Base

<i>Item</i>	<i>Part No.</i>	<i>Description</i>	<i>Qty.</i>
1	40290GT	BRKT.INTLCK.CONTC.20"OUTRIGGER	4
2	40291GT	BRKT.INTLCK.CONTC.26"OUTRIGGER	
3	40292GT	BRKT.INTLCK.CONTC.36"OUTRIGGER	
4	40494GT	CONTACT ASSY., 20" OUTRIGGER	4
5	40495GT	CONTACT ASSY,26" OUTRIGGER	
6	40497GT	CONTACT ASSY.,36" OUTRIGGER	
7	40954GT	CAM,MIDDLE	
8	40955GT	CAM,LEFT	
9	43006GT	BRKT.INTERLOCK ASSY,26"-AIR	
10	43008GT	BRKT.INTERLOCK ASSY,36"-AIR	
11	107100GT	OUTRIG.TUBE ASSY,20",ANSI,WRD	4
12	107102GT	OUTRIG TUBE ASSY,26"CSA,WRD	
13	107109GT	OUTRIG TUBE ASSY,26"	
14	107115GT	OUTRIG TUBE ASSY,36"	
15	107119GT	OUTRIG TUBE ASSY,26",ANSI,WRD	
16	107123GT	OUTRIG. TUBE ASSY,36"	
17	107416GT	OUTRIGGER ASSY,NRW,20/25	4
18	107417GT	OUTRIGGER ASSY,NRW,30	
19	107418GT	OUTRIGGER ASSY,NRW,30 AIR	
20	107419GT	OUTRIGGER ASSY,NRW,20/25	
21	107420GT	OUTRIGGER ASSY,NRW,30	
22	107421GT	OUTRIGGER ASSY,NRW,30 AIR	



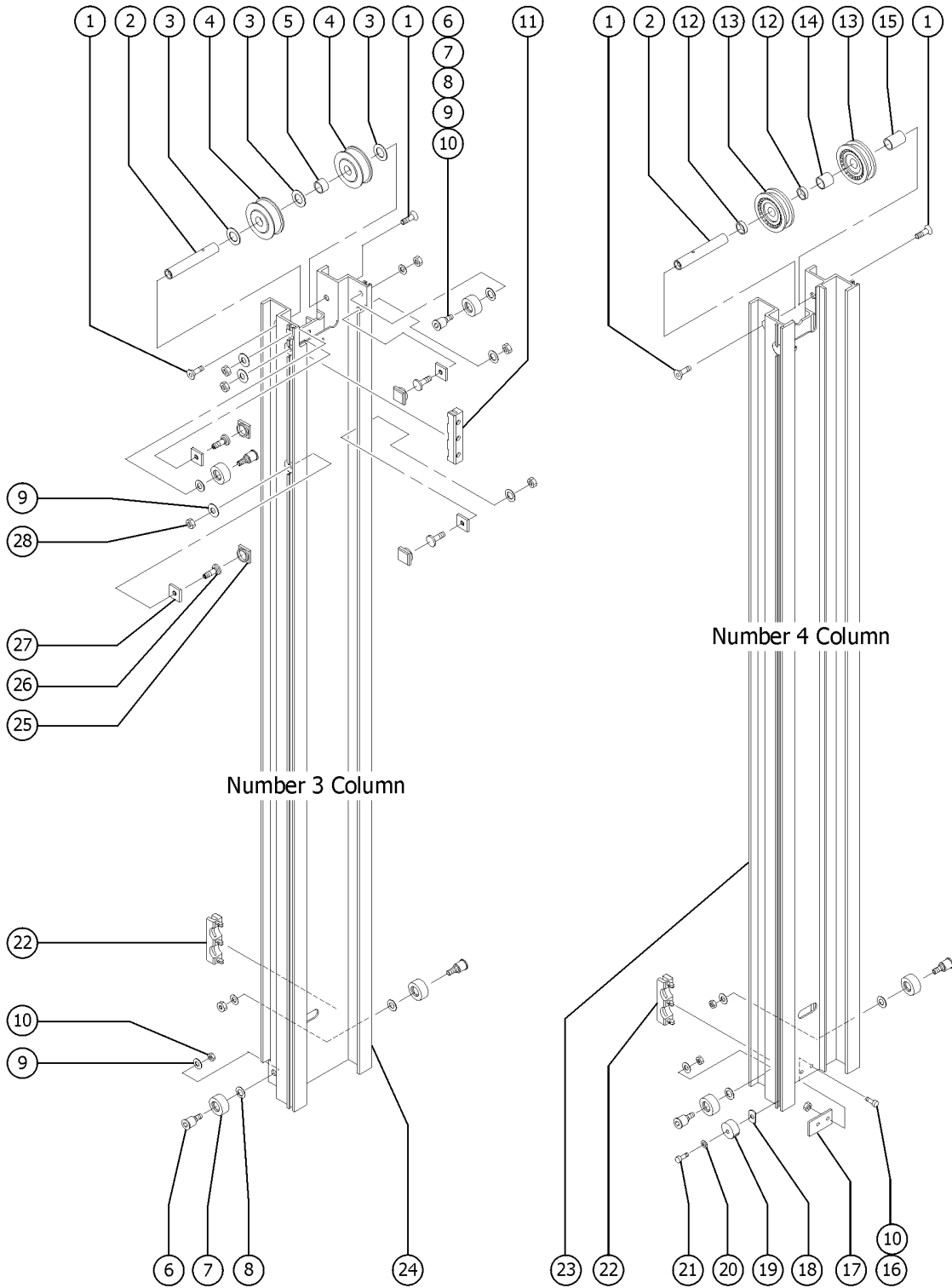
301.1 Number 1 and 2 Column Assemblies



Item	Part No.	Description	Qty.
	90337GT	BOE LUBE lubricant	1
1	38013GT	SHIM NUT,ADJUSTER	8
2	40946GT	BOLT,SHIM	8
3	38011GT	SHIM,SIDE PAD	8
4	6022GT	NUT,HEX,3/8-16	
5	5397GT	WASHER,FLAT,USS,5/16",Y	
6	7713GT	NUT, LP NYLOCK, 3/8-16	
7	6052GT	WASHER,SHIM,.5 X .875 X .063	
8	38016GT	ROLLER,PLASTIC,AWP96**	6
9	35706GT	BOLT,ROLLER,.470"(SHORT)	6
10	35709GT	BLOCK,SLIDE,UPPER	2
11	45425GT	SCREW,FHS,3/8-16 X .75	
12	35707GT	SHAFT,LIFTING CHAINS,20MM DIA.	1
13	38709GT	WASHER,SHIM,.938 X 1.37 X .048	
14	38447GT	PULLEY W/BEARINGS	2
15A	35757GT	COLUMN, 72.5"SS (#2) (AWP-15S, AWP-20S, AWP-25S and AWP-30S) (column 2)	1
15B	35771GT	COLUMN, 104.5"SS (#2) (AWP-36S, AWP-40S) (column 2)	
16	35710GT	BLOCK,SLIDE,LOWER	1
17		Ref. Lift Cylinder (refer to 601.1)	
18	35727PGT	PLATE,CYLINDER MOUNT,PAINTED	4
19	35728GT	SCREW,HHC,5/8-11 X 7.5, GR5	
20	38028GT	NUT,LP NYLOCK,5/8-11	
21	38601GT	SCREW,HHC,1/2-13 X 7.5	
22	6086GT	NUT,LP NYLOCK,1/2-13	
23A	40478GT	COLUMN ASSY, 72.5"SS (#1) (AWP-15-S, AWP-20S, AWP-25S and AWP-30S) (column 1)	1
23B	40479GT	COLUMN ASSY, 104.5"SS (#1) (AWP-36S and AWP-40S) (column 1)	



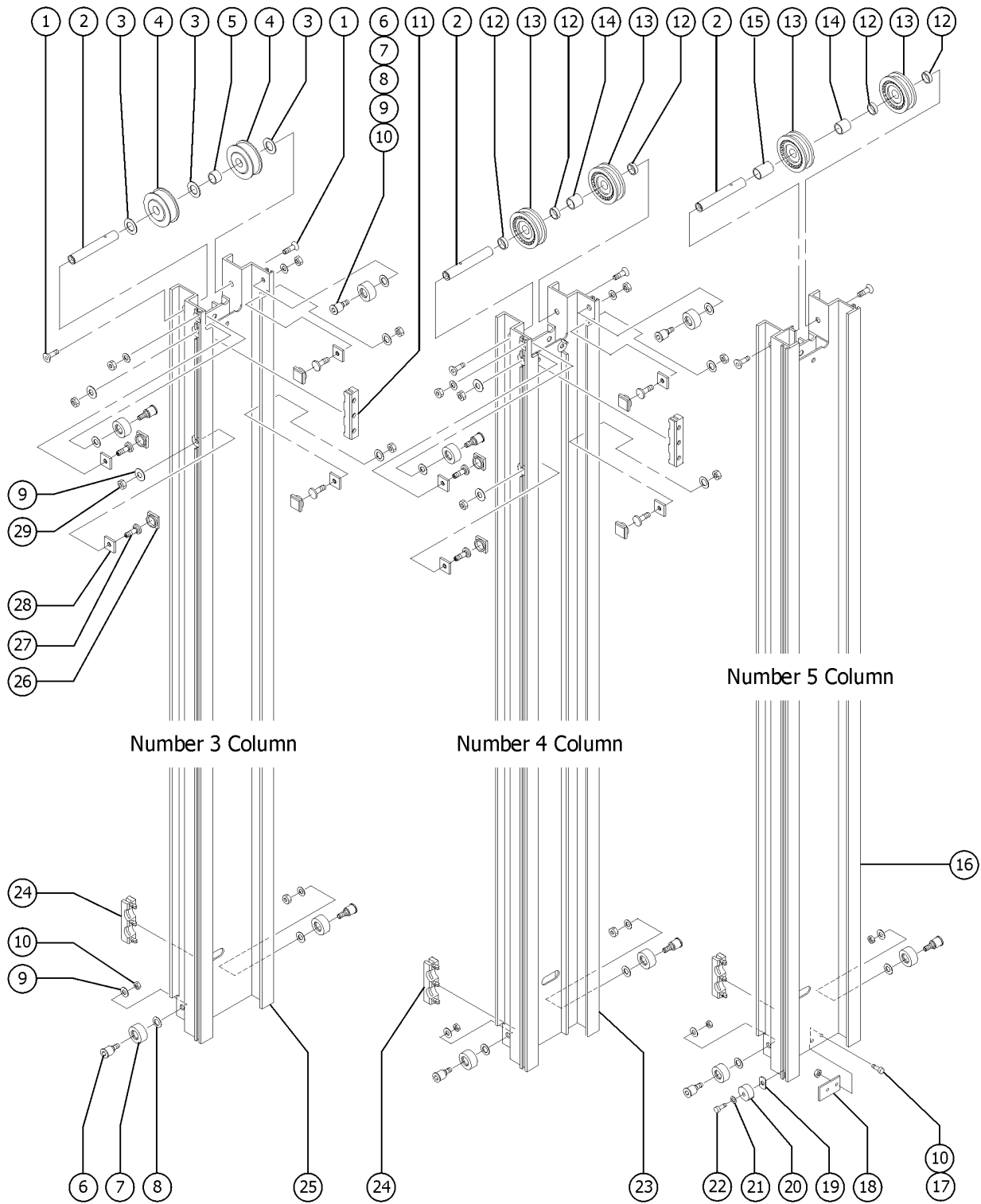
302.1 Number 3 and 4 Column Assemblies, AWP-20S



Item	Part No.	Description	Qty.
1	45425GT	SCREW,FHS,3/8-16 X .75	
2	35707GT	SHAFT,LIFTING CHAINS,20MM DIA.	2
3	38709GT	WASHER,SHIM,.938 X 1.37 X .048	
4	38447GT	PULLEY W/BEARINGS	2
5	38316GT	SPACER,.560 AWP MAST	1
6	35706GT	BOLT,ROLLER,.470"(SHORT)	6
7	80938GT	WHEEL, NYLON ROLLER	6
8	6052GT	WASHER,SHIM,.5 X .875 X .063	
9	5397GT	WASHER,FLAT,USS,5/16",Y	
10	7713GT	NUT, LP NYLOCK, 3/8-16	
11	35709GT	BLOCK,SLIDE,UPPER	1
12	35722GT	SPACER,SHAFT,.310	2
13	35715GT	PULLEY,SMALL CHAIN	2
14	35711GT	SPACER,SHAFT,.840"LG	1
15	37686GT	SPACER,SHAFT,1.400	1
16	8255GT	SCREW,HHC,3/8-16 X .75	
17	40627-SGT	PLATE,HOLD DOWN REINFORCEMENT	1
18	35991GT	NUT,WELD 1/4-20, PLATED L.L.**	
19	38983GT	BUMPER,MAST,RH	1
20	6638GT	WASHER,FLAT,USS,1/4"Y	
21	6090GT	SCREW,HHC,1/4-20 X .75	
22	35710GT	BLOCK,SLIDE,LOWER	2
23	35761GT	COLUMN, 72.5"SS (#4 OR #6)*** AWP-20S (column 4)	1
24	35758GT	COLUMN, 72.5"SS (#3 OR #5)*** AWP-20S (column 3)	1
25	38011GT	SHIM,SIDE PAD	4
26	40946GT	BOLT,SHIM	4
27	38013GT	SHIM NUT,ADJUSTER	8
28	6022GT	NUT,HEX,3/8-16	



303.1 Number 3, 4 and 5 Column Assemblies, AWP-25S and AWP-36S



Number 3 Column

Number 4 Column

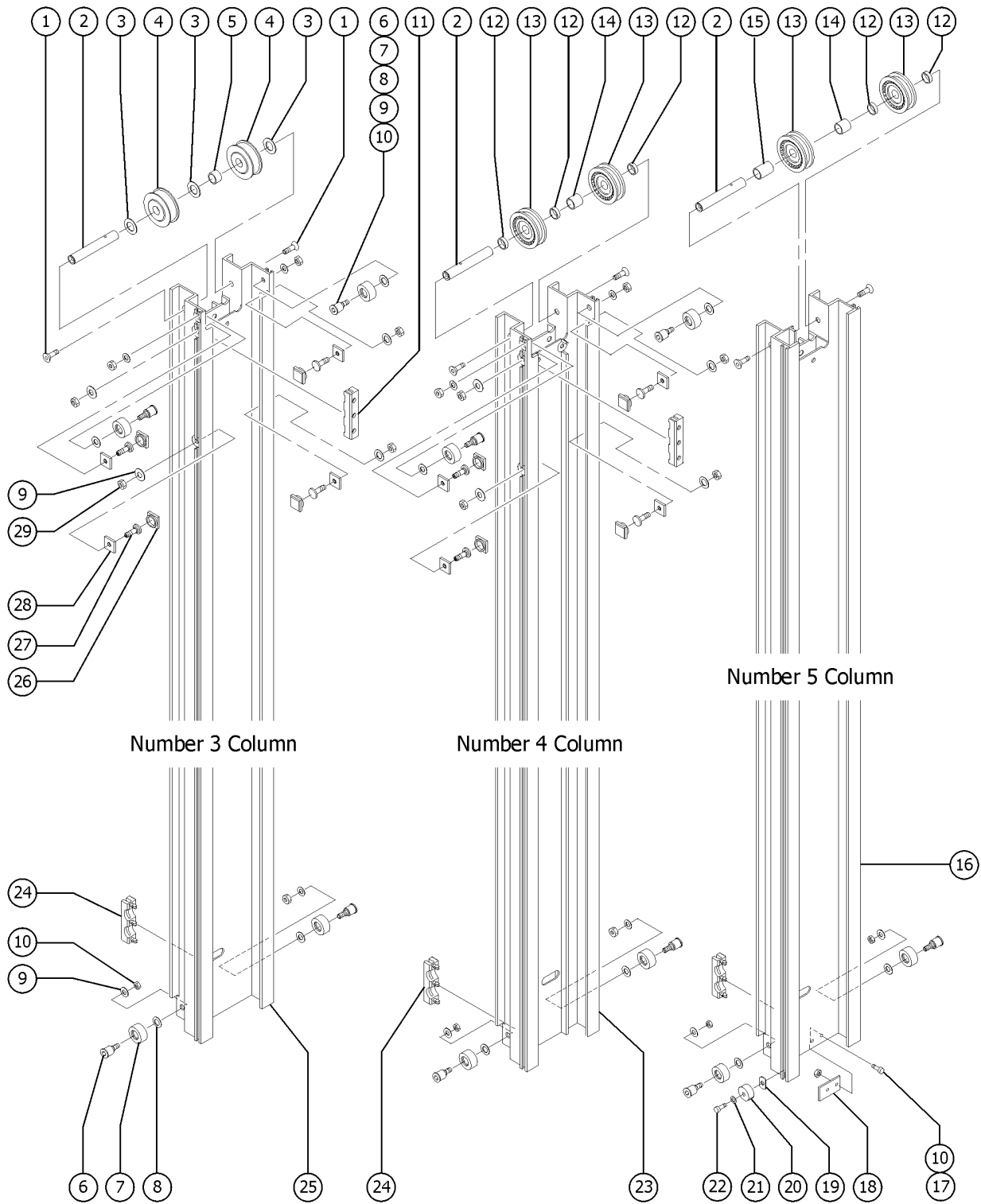
Number 5 Column

303.1 Number 3, 4 and 5 Column Assemblies, AWP-25S and AWP-36S

Item	Part No.	Description	Qty.
1	45425GT	SCREW,FHS,3/8-16 X .75	
2	35707GT	SHAFT,LIFTING CHAINS,20MM DIA.	3
3	38709GT	WASHER,SHIM,.938 X 1.37 X .048	
4	38447GT	PULLEY W/BEARINGS	2
5	38316GT	SPACER,.560 AWP MAST	1
6	35706GT	BOLT,ROLLER,.470"(SHORT)	10
7	38016GT	ROLLER,PLASTIC,AWP96**	10
8	6052GT	WASHER,SHIM,.5 X .875 X .063	
9	5397GT	WASHER,FLAT,USS,5/16",Y	
10	7713GT	NUT, LP NYLOCK, 3/8-16	
11	35709GT	BLOCK,SLIDE,UPPER	2
12	35722GT	SPACER,SHAFT,.310	5
13	35715GT	PULLEY,SMALL CHAIN	4
14	35711GT	SPACER,SHAFT,.840"LG	2
15	37686GT	SPACER,SHAFT,1.400	1
16A	35760GT	COLUMN, 72.5"SS (#3 OR #5)*** (AWP-25S) (column 5)	1
16B	35774GT	COLUMN, 104.5"SS (#5)*** (AWP-36S) (column 5)	
17	8255GT	SCREW,HHC,3/8-16 X .75	
18	40627-SGT	PLATE,HOLD DOWN REINFORCEMENT	1
19	35991GT	NUT,WELD 1/4-20, PLATED L.L.**	1
20	38983GT	BUMPER,MAST,RH	1
21	6638GT	WASHER,FLAT,USS,1/4"Y	2
22	6888GT	SCREW,HHC,1/4-20 X 1	
23A	35759GT	COLUMN, 72.5"SS (#4)*** (AWP-25S) (column 4)	1
23B	35773GT	COLUMN, 104.5"SS (#4) (AWP-36S) (column 4)	
24	35710GT	BLOCK,SLIDE,LOWER	3
25A	35758GT	COLUMN, 72.5"SS (#3 OR #5)*** (AWP-25S) (column 3)	1
25B	35772GT	COLUMN, 104.5"SS (#3 OR #5)*** (AWP-36S) (column 3)	



303.1 Number 3, 4 and 5 Column Assemblies, AWP-25S and AWP-36S

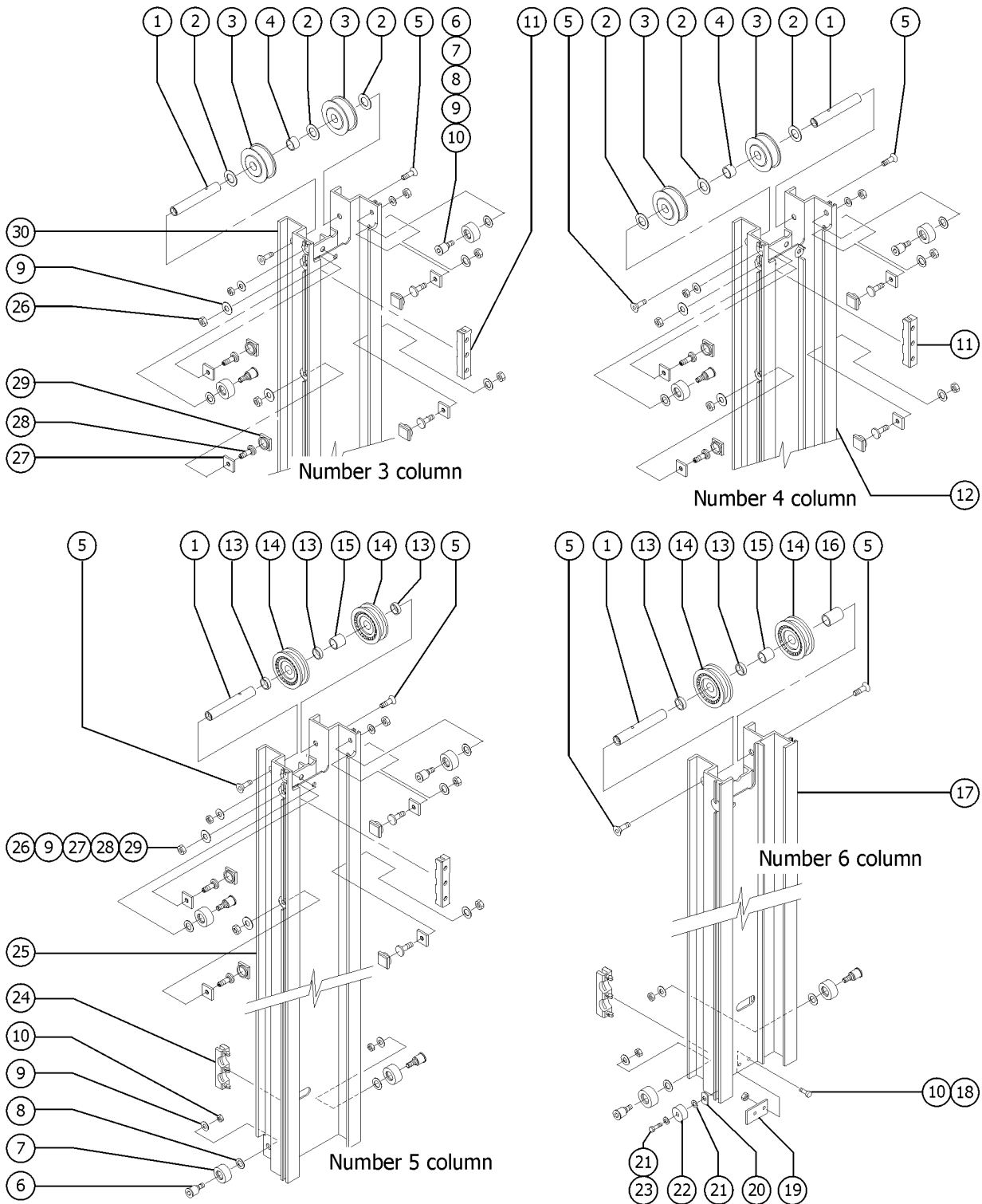


303.1 Number 3, 4 and 5 Column Assemblies, AWP-25S and AWP-36S

<i>Item</i>	<i>Part No.</i>	<i>Description</i>	<i>Qty.</i>
26	38011GT	SHIM,SIDE PAD	8
27	40946GT	BOLT,SHIM	8
28	38013GT	SHIM NUT,ADJUSTER	8
29	46017GT	NUT,HEX,JAM,LP 3/8-16,	



304.1 Number 3, 4, 5 and 6 Column Assemblies, AWP-30S and AWP-40S

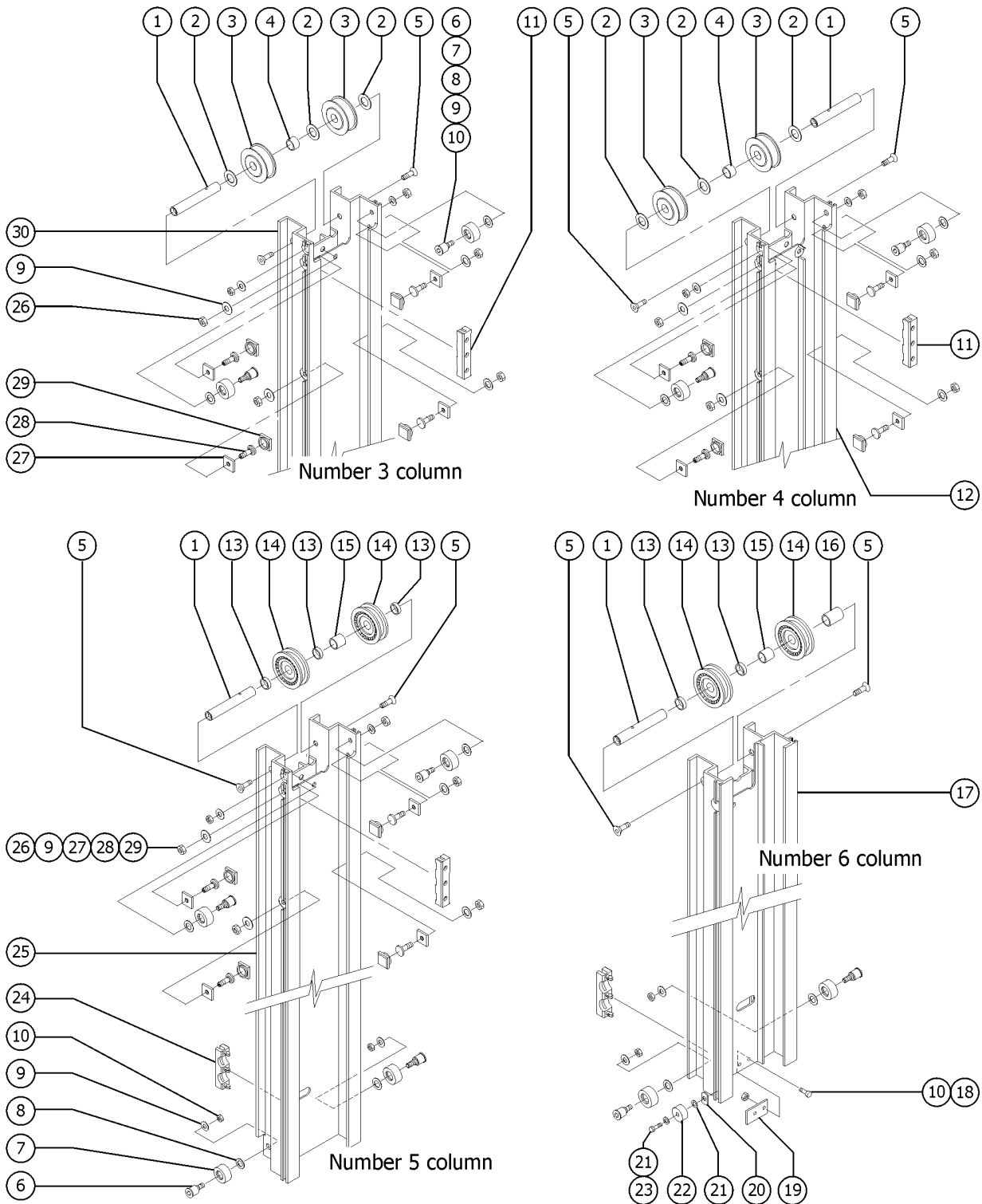


304.1 Number 3, 4, 5 and 6 Column Assemblies, AWP-30S and AWP-40S

Item	Part No.	Description	Qty.
1	35707GT	SHAFT,LIFTING CHAINS,20MM DIA.	4
2	38709GT	WASHER,SHIM,.938 X 1.37 X .048	6
3	38447GT	PULLEY W/BEARINGS	4
4	38316GT	SPACER,.560 AWP MAST	2
5	45425GT	SCREW,FHS,3/8-16 X .75	
6	35706GT	BOLT,ROLLER,.470"(SHORT)	14
7	38016GT	ROLLER,PLASTIC,AWP96**	14
8	6052GT	WASHER,SHIM,.5 X .875 X .063	
9	5397GT	WASHER,FLAT,USS,5/16",Y	
10	7713GT	NUT, LP NYLOCK, 3/8-16	
11	35709GT	BLOCK,SLIDE,UPPER	3
12A	35759GT	COLUMN, 72.5"SS (#4)*** (AWP-30S) (column 4)	1
12B	35773GT	COLUMN, 104.5"SS (#4) (AWP-40S) (column 4)	
13	35722GT	SPACER,SHAFT,.310	5
14	35715GT	PULLEY,SMALL CHAIN	4
15	35711GT	SPACER,SHAFT,.840"LG	2
16	37686GT	SPACER,SHAFT,1.400	1
17A	35761GT	COLUMN, 72.5"SS (#4 OR #6)*** (AWP-30S) (column 6)	1
17B	35775GT	COLUMN, 104.5"SS (#6) (AWP-40S) (column 6)	
18	8255GT	SCREW,HHC,3/8-16 X .75	3
19	40627-SGT	PLATE,HOLD DOWN REINFORCEMENT	1
20	35991GT	NUT,WELD 1/4-20, PLATED L.L.**	1
21	6638GT	WASHER,FLAT,USS,1/4"Y	
22	38983GT	BUMPER,MAST,RH	1
23	6888GT	SCREW,HHC,1/4-20 X 1	
24	35710GT	BLOCK,SLIDE,LOWER	3
25A	35758GT	COLUMN, 72.5"SS (#3 OR #5)*** (AWP-30S) (column 5)	1
25B	35772GT	COLUMN, 104.5"SS (#3 OR #5)*** (AWP-40S) (column 5)	



304.1 Number 3, 4, 5 and 6 Column Assemblies, AWP-30S and AWP-40S

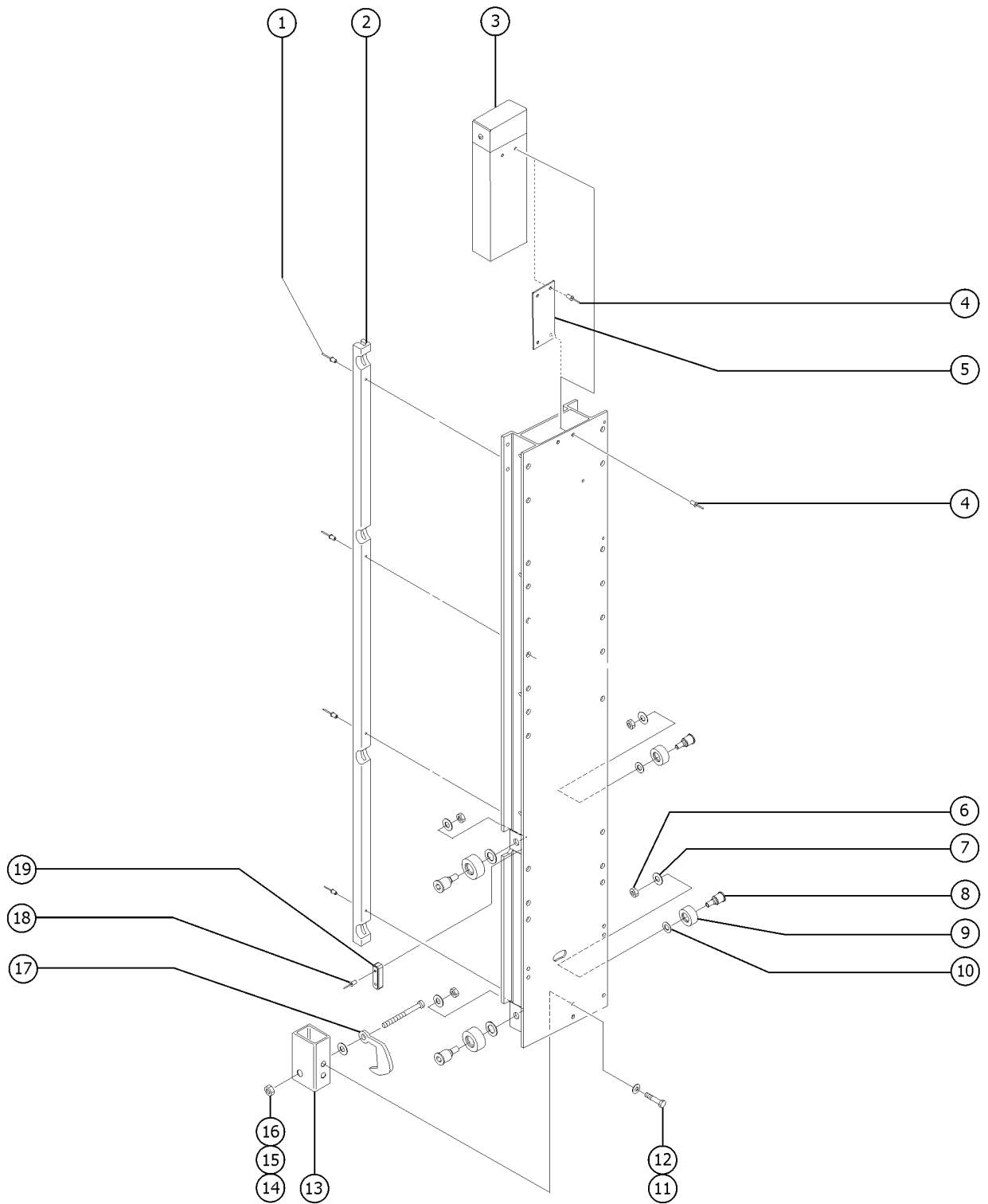


304.1 Number 3, 4, 5 and 6 Column Assemblies, AWP-30S and AWP-40S

<i>Item</i>	<i>Part No.</i>	<i>Description</i>	<i>Qty.</i>
26	6022GT	NUT,HEX,3/8-16	
27	38013GT	SHIM NUT,ADJUSTER	12
28	40946GT	BOLT,SHIM	12
29	38011GT	SHIM,SIDE PAD	12
30A	35758GT	COLUMN, 72.5"SS (#3 OR #5)*** (AWP-30S) (column 3)	1
30B	35772GT	COLUMN, 104.5"SS (#3 OR #5)*** (AWP-40S) (column 3)	



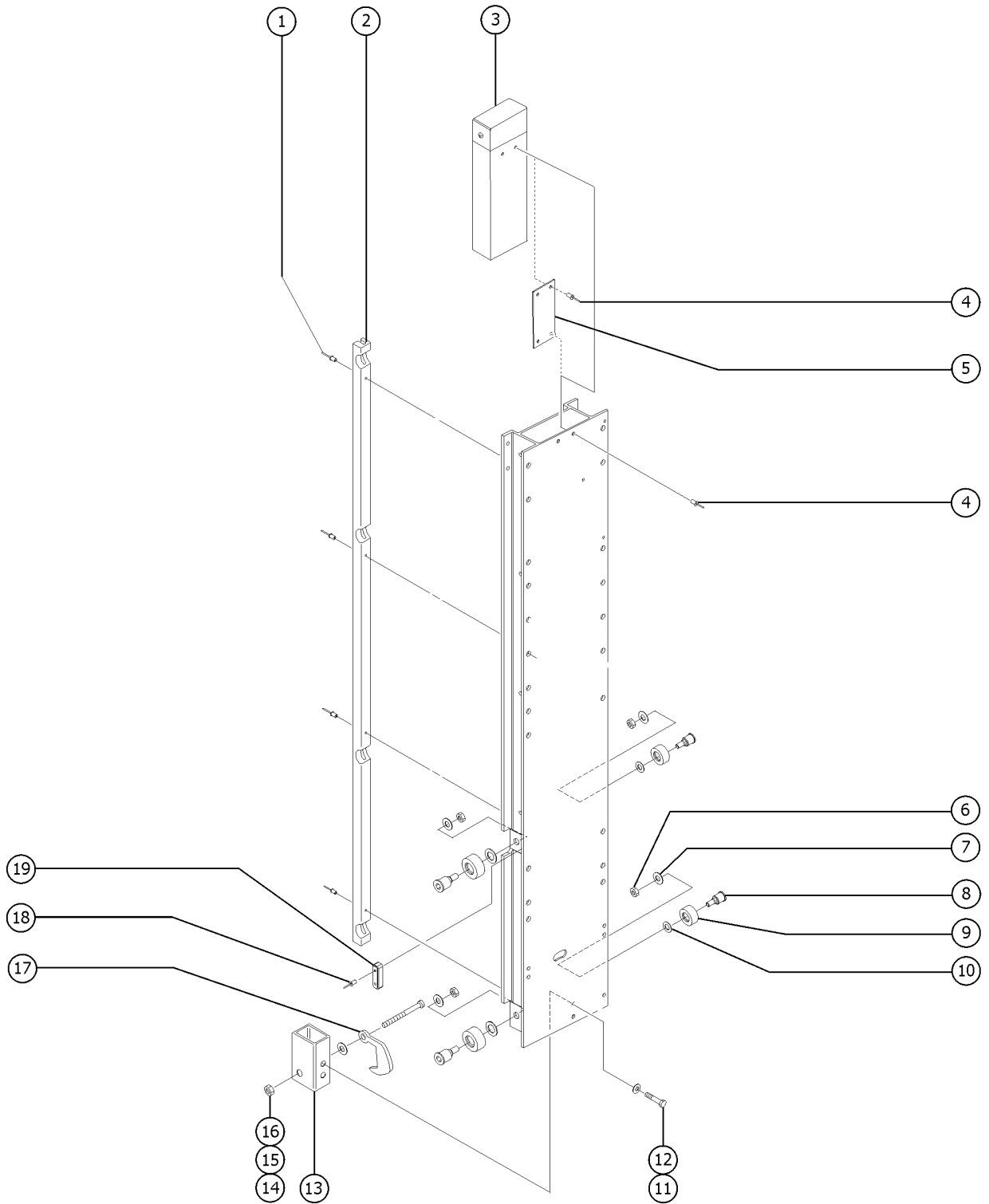
305.1 Carriage Assembly



Item	Part No.	Description	Qty.
A	107481GT	CARRIAGE ASSY, ALUM, WRD DECAL (AWP-20S and AWP-30S) (Assemblies with Word Decals) (includes items 1, 2, 3, 6, 7, 8, and 10-24)(to SN AWPP-99999)	
B	107482GT	CARRIAGE ASSY, ALUM, WRD DECAL (AWP-25S and AWP-36S) (Assemblies with Word Decals) (includes items 1, 2, 3, 6, 7, 8, and 10-24)(to SN AWPP-99999)	
C	107483GT	CARRIAGE ASSY, ALUM, WRD DECAL (AWP-40S) (Assemblies with Word Decals) (includes items 1, 2, 3, 6, 7, 8, and 10-24)(to SN AWPP-99999)	
D	107484GT	CARRIAGE ASSY, FIBR, WRD DECAL (AWP-20S and AWP-30S) (Assemblies with Word Decals) (includes items 1, 2, 3, and 6-24)(to SN AWPP-99999)	
E	107485GT	CARRIAGE ASSY, FIBR, WRD DECAL (AWP-20S and AWP-30S) (Assemblies with Word Decals)(includes items 1, 2, 3, and 6-24)(to SN AWPP-99999)	
F	107486GT	CARRIAGE ASSY, FIBR, WRD DECAL (AWP-40S) (Assemblies with Word Decals) (includes items 1, 2, 3, and 6-24)(to SN AWPP-99999)	
G	107487GT	CARRIAGE ASSY, ALUM, SYM DECAL (AWP-20S and AWP-30S) (Assemblies with Symbols Decal) (includes items 1, 2, 3, 6, 7, 8, and 10-24)(to SN AWPP-99999)	
H	107488GT	CARRIAGE ASSY, ALUM, SYM DECAL (AWP-25S and AWP-36S) (Assemblies with Symbols Decal) (includes items 1, 2, 3, 6, 7, 8, and 10-24)(to SN AWPP-99999)	
K	107489GT	CARRIAGE ASSY, ALUM, SYM DECAL (AWP-40S) (Assemblies with Symbols Decal) (includes items 1, 2, 3, 6, 7, 8, and 10-24)(to SN AWPP-99999)	
L	107490GT	CARRIAGE ASSY, FIBR, SYM DECAL (AWP-20S and AWP-30S) (Assemblies with Symbols Decal) (includes items 1, 2, 3, and 6-24)(to SN AWPP-99999)	
M	107491GT	CARRIAGE ASSY, FIBR, SYM DECAL (AWP-25S and AWP-36S) (includes items 1, 2, 3, and 6-24)(to SN AWPP-99999)	
N	107492GT	CARRIAGE ASSY, FIBR, SYM DECAL (AWP-40S) (Assemblies with Symbols Decals) (includes items 1, 2, 3, and 6-24)(to SN AWPP-99999)	
1	8920GT	RIVET,ALUM,ALUM,P,.156 X .375	
2	38005GT	SLIDE BLOCK,CARRIAGE%%	1
3	40267GT	BOX,INSTRUCT. STORAGE,S SERIES (includes items 7 and 8)	1
3-	1296809GT	INSTRUCTION TUBE,AWP/IWP/SS	
3-	2223GT	LANYARD ASSY HOIST/AWP-7***	
4	6271GT	RIVET, ALUM, ALUM, P, .25 x .375	3
5	46695-SGT	INSTR. TUBE MOUNT, FIBER PLAT. (models with Fiberglass Platform)	1
6	7713GT	NUT, LP NYLOCK, 3/8-16	
7	6097GT	WASHER,FLAT,USS,3/8",Y	
8	35706GT	BOLT,ROLLER,.470"(SHORT)	4
9	38026GT	ROLLER, MACHINED AWP***	4
10	6052GT	WASHER,SHIM,.5 X .875 X .063	
11	7339GT	SCREW,HHC,1/4-20 X .5	



305.1 Carriage Assembly

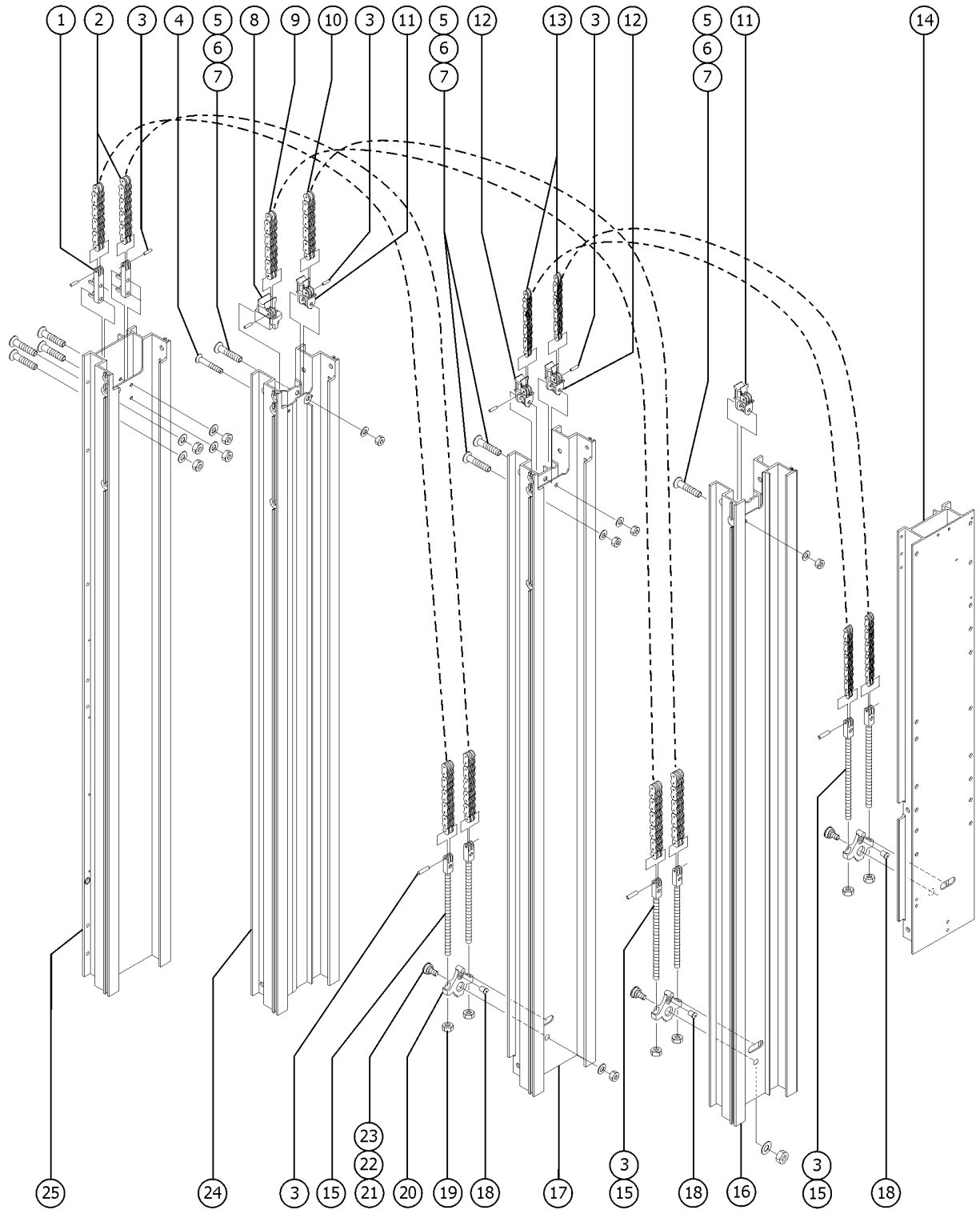


305.1 Carriage Assembly

<i>Item</i>	<i>Part No.</i>	<i>Description</i>	<i>Qty.</i>
12	6356GT	WASHER,LOCK,.25	
13	37389GT	TUBE,HOLD DOWN BRACKET-BLUE	1
14	7713GT	NUT, LP NYLOCK, 3/8-16	
15	6097GT	WASHER,FLAT,USS,3/8",Y	
16	13918GT	SCREW,HHC,3/8-16 X 1.75,GRD.8	1
17	35789PGT	HOLD DOWN HOOK,AWP,"BLUE"	1
18	69855GT	RIVET,ALUM,ALUM,.25 X 1.125 AL	
19	124010GT	SHIM,CARRIAGE	2



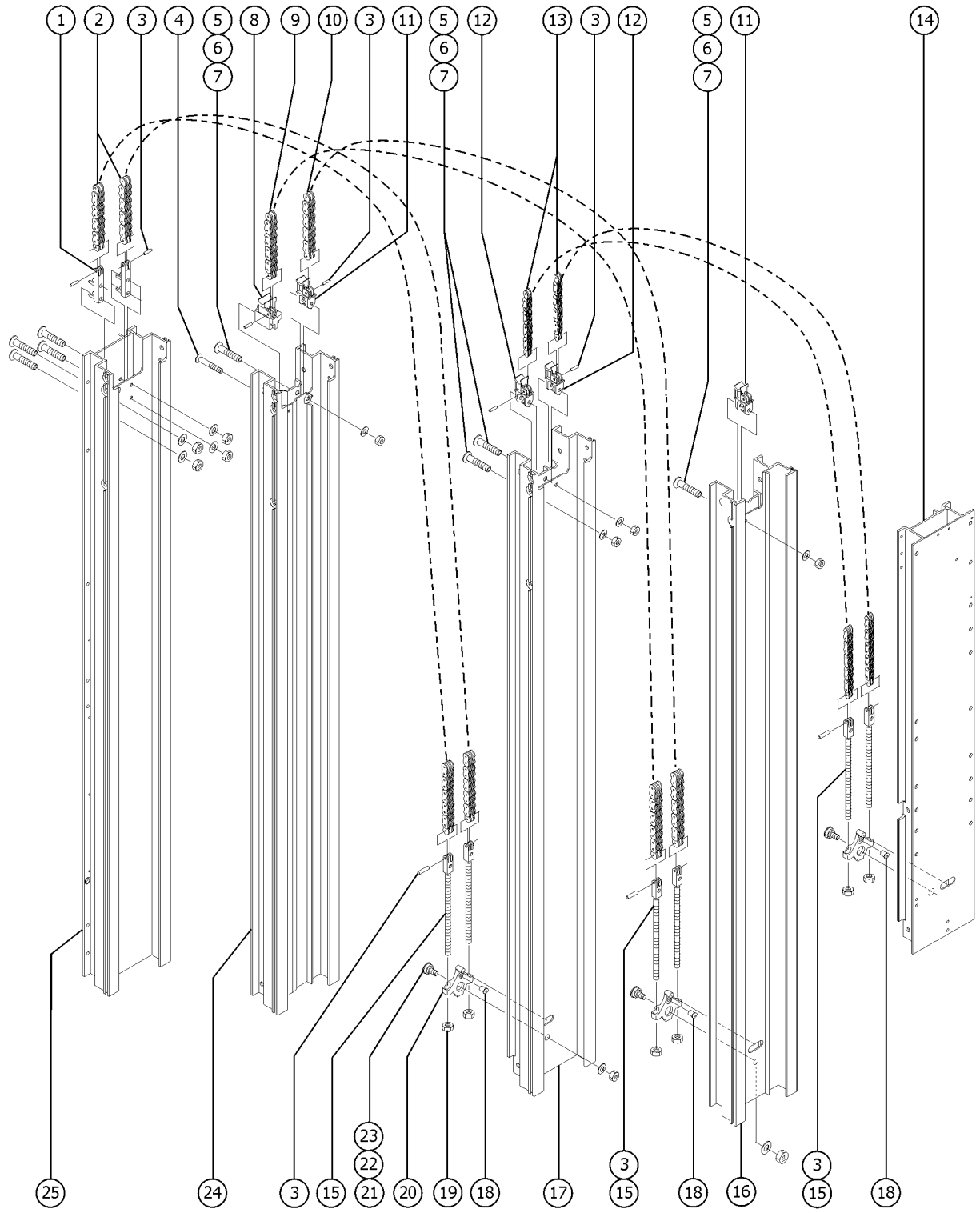
306.1 Lifting Chain Assembly, AWP-20S



Item	Part No.	Description	Qty.
1	35699GT	CHAIN TERMINAL CASTING,#1	2
2	37385GT	CHAIN ASSY#1,72.5"COL.S-SERIES	2
		(includes items 1, 3, and 15)	
2-	35704-6813GT	CHAIN,STD.LEAF AL544,68.13"	
3	6534GT	PIN,GROOVED- .200 X .75*	12
4	40945GT	SCREW,FHS,1/4-20 X 2.25	
5	35714GT	SCREW,FHS,3/8-16 X 2.25	
6	5397GT	WASHER,FLAT,USS,5/16",Y	
7	4828GT	NUT,NYLOCK,3/8-16	
8	35697GT	CHAIN TERM,CLEVIS CYL.,ZINC	1
9	37384GT	CHAIN ASSY#2,72.5"COL.S-SERIES	1
		(includes items 3, 8 and 15)	
9-	35704-6813GT	CHAIN,STD.LEAF AL544,68.13"	
10	37386GT	CHAIN ASSY,72.5"COL. S-SERIES	1
		(includes items 3, 11 and 15)	
10-	35704-6813GT	CHAIN,STD.LEAF AL544,68.13"	
11	35695GT	CHAIN TERM,PULLEY SUPORT-ZINC	2
12	38980GT	CHAIN TERM,PULLEY SUPPORT-ZNC	2
13	37387GT	CHAIN ASSY,72.5COL.(SM)S-SERIE	2
		(3, 12 and 15)	
13-	35703-6813GT	CHAIN,STD.LEAF AL522,68.13"	
14		Ref. Carriage Assembly	
		(refer to 305.1)	
15	41224GT	CHAIN TERM.LWR.SS(1 SLOT)	2
		(includes item 3)	
16		Ref. Number 4 Column Assembly	
		(refer to 302.1)	
17		Ref. Number 3 Column Assembly	
		(refer to 302.1)	
18	11890GT	GLIDE BUTTON,SIDE,GLL.,100 TK	3
19	35712GT	NUT,NYLOCK,3/8-24	
20	35698GT	CHAIN TENSION ROCKER CAST.ZINC	3
21	35705GT	BOLT-ROCKER, S-SERIES	3
22	6095GT	WASHER,FLAT,USS,1/2",Y	
23	6198GT	NUT,NYLOCK,1/2-13	
24		Ref. Number 2 Column Assembly	
		(refer to 301.1)	



306.1 Lifting Chain Assembly, AWP-20S

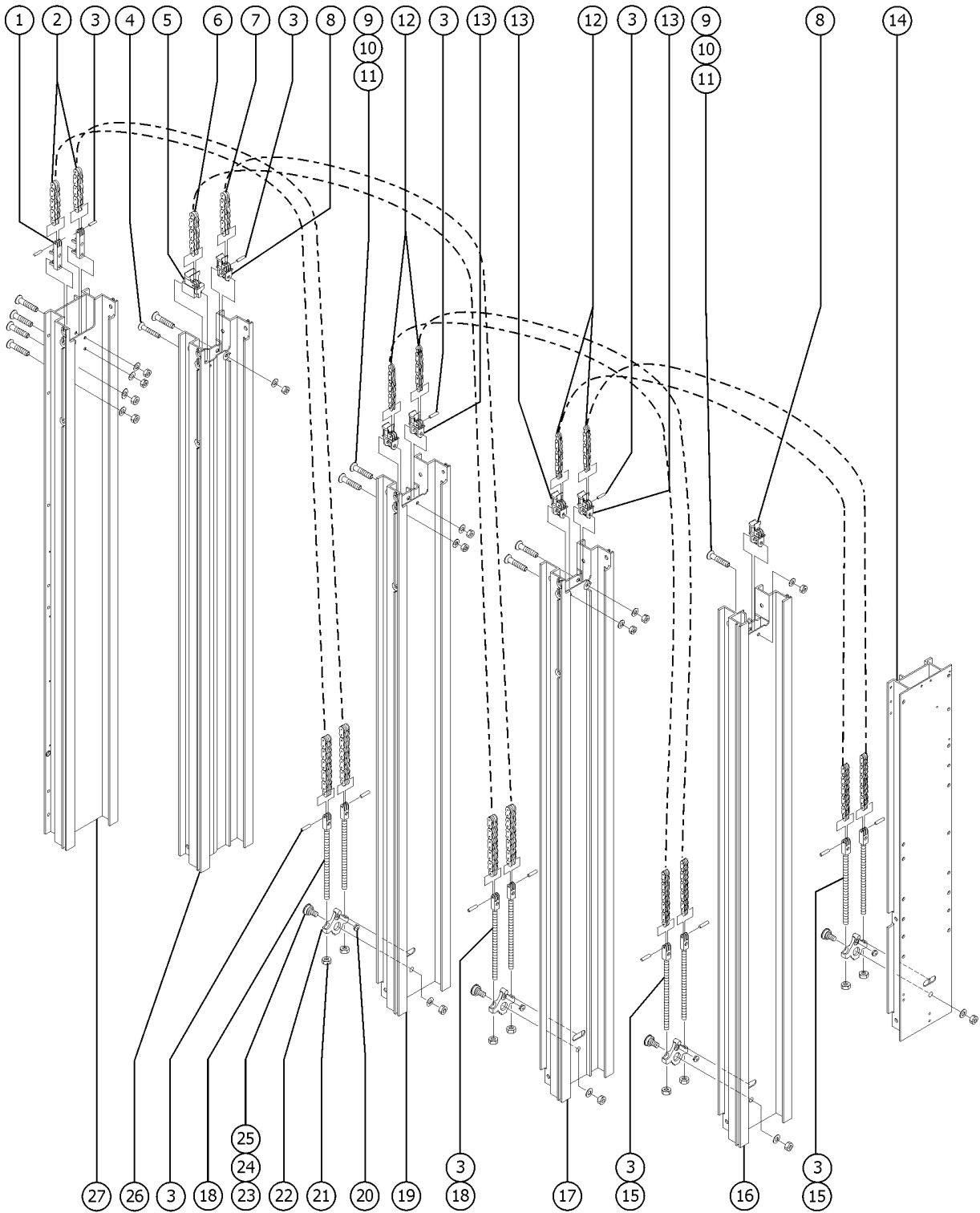


306.1 Lifting Chain Assembly, AWP-20S

<i>Item</i>	<i>Part No.</i>	<i>Description</i>	<i>Qty.</i>
25		Ref. Number 1 Column Assembly (refer to 301.1)	



307.1 Lifting Chain Assembly, AWP-25S and AWP-36S

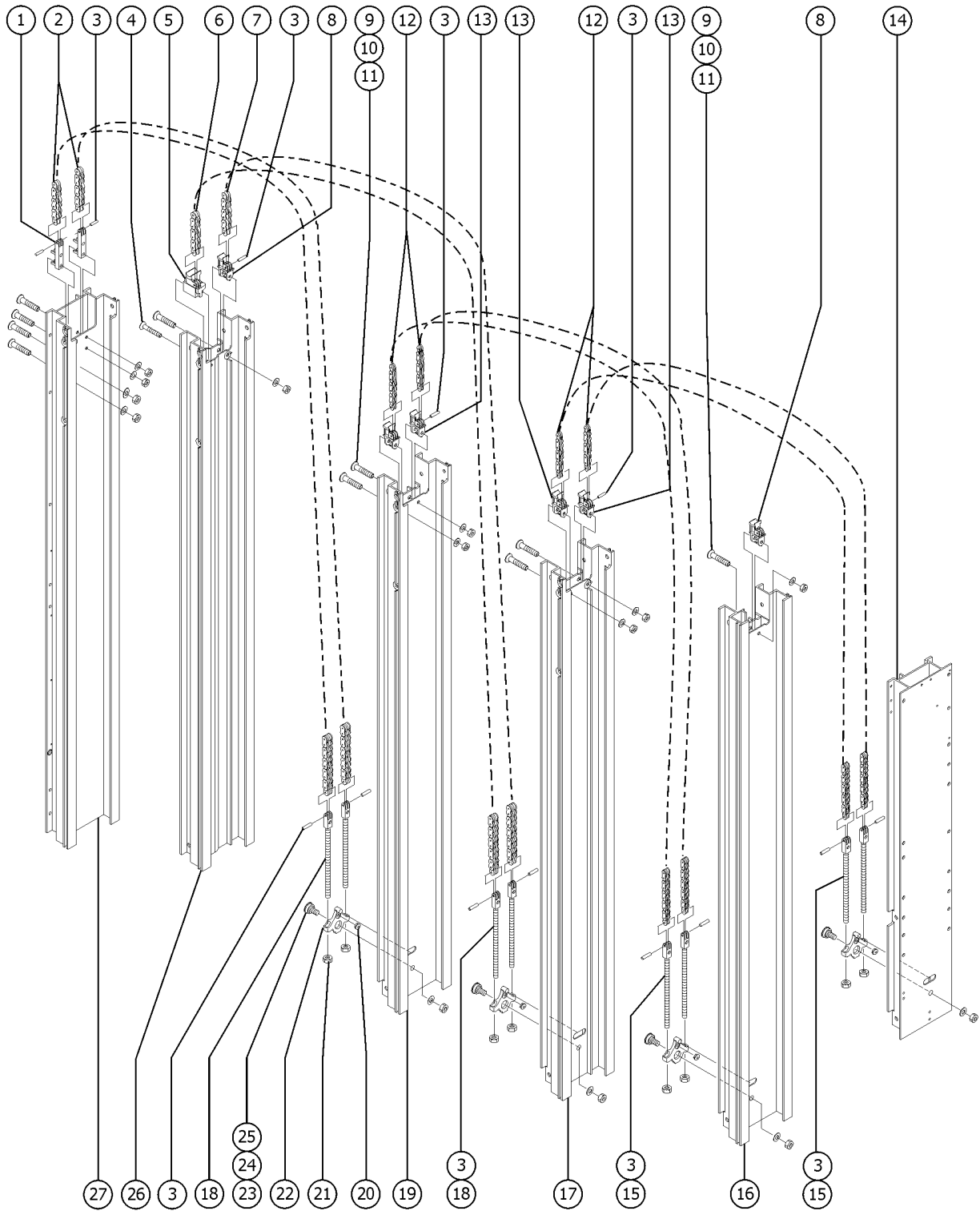


307.1 Lifting Chain Assembly, AWP-25S and AWP-36S

Item	Part No.	Description	Qty.
1	35699GT	CHAIN TERMINAL CASTING,#1	2
2A	37385GT	CHAIN ASSY#1,72.5"COL.S-SERIES (AWP-25S) (includes items 3 and 18)	1
2A-	35704-6813GT	CHAIN,STD.LEAF AL544,68.13"	
2B	37995GT	CHAIN ASSY#1,104.5"COL.S-SERIE (AWP-36S) (includes items 3 and 18)	1
2B-	35704-10063GT	CHAIN,STD.LEAF AL544,100.63"	
3A	38986GT	PIN,GROOVED,.200 X .50* (used with single slot chain terminals)	1
3B	6534GT	PIN,GROOVED-.200 X .75* (used with double slot chain terminals)	
4	40945GT	SCREW,FHS,1/4-20 X 2.25	1
5	35697GT	CHAIN TERM,CLEVIS CYL.,ZINC	1
6A	37384GT	CHAIN ASSY#2,72.5"COL.S-SERIES (AWP-25S) (includes items 3, 5 and 18)	1
6A-	35704-6813GT	CHAIN,STD.LEAF AL544,68.13"	
6B	37996GT	CHAIN ASSY#2,104.5"COL.S-SERIE (AWP-36S) (includes items 3, 5 and 18)	1
6B-	35704-10063GT	CHAIN,STD.LEAF AL544,100.63"	
7A	37386GT	CHAIN ASSY,72.5"COL. S-SERIES (AWP-25S) (includes items 3, 8 and 18)	1
7A-	35704-6813GT	CHAIN,STD.LEAF AL544,68.13"	
7B	37997GT	CHAIN ASSY,104.5"COL. S SERIES (AWP-36S) (includes items 3, 8 and 18)	1
7B-	35704-10063GT	CHAIN,STD.LEAF AL544,100.63"	
8	35695GT	CHAIN TERM,PULLEY SUPORT-ZINC	2
9	35714GT	SCREW,FHS,3/8-16 X 2.25	
10	5397GT	WASHER,FLAT,USS,5/16",Y	
11	4828GT	NUT,NYLOCK,3/8-16	
12A	43015GT	CHAIN ASSY.(SM)104.5" S-SERIES (AWP-36S) (includes items 3, 13 and 15)	4
12A-	35703-6813GT	CHAIN,STD.LEAF AL522,68.13"	
12B	41214GT	CHAIN ASSY,72.5COL.(SM)S-SERIE (AWP-25S) (includes items 3, 13 and 15)	4
12B-	35704-10063GT	CHAIN,STD.LEAF AL544,100.63"	
13	38980GT	CHAIN TERM,PULLEY SUPPORT-ZNC	4
14		Ref. Carriage Assembly	
		(refer to 305.1)	
15	41224GT	CHAIN TERM.LWR.SS(1 SLOT) (includes item 13,)	4



307.1 Lifting Chain Assembly, AWP-25S and AWP-36S

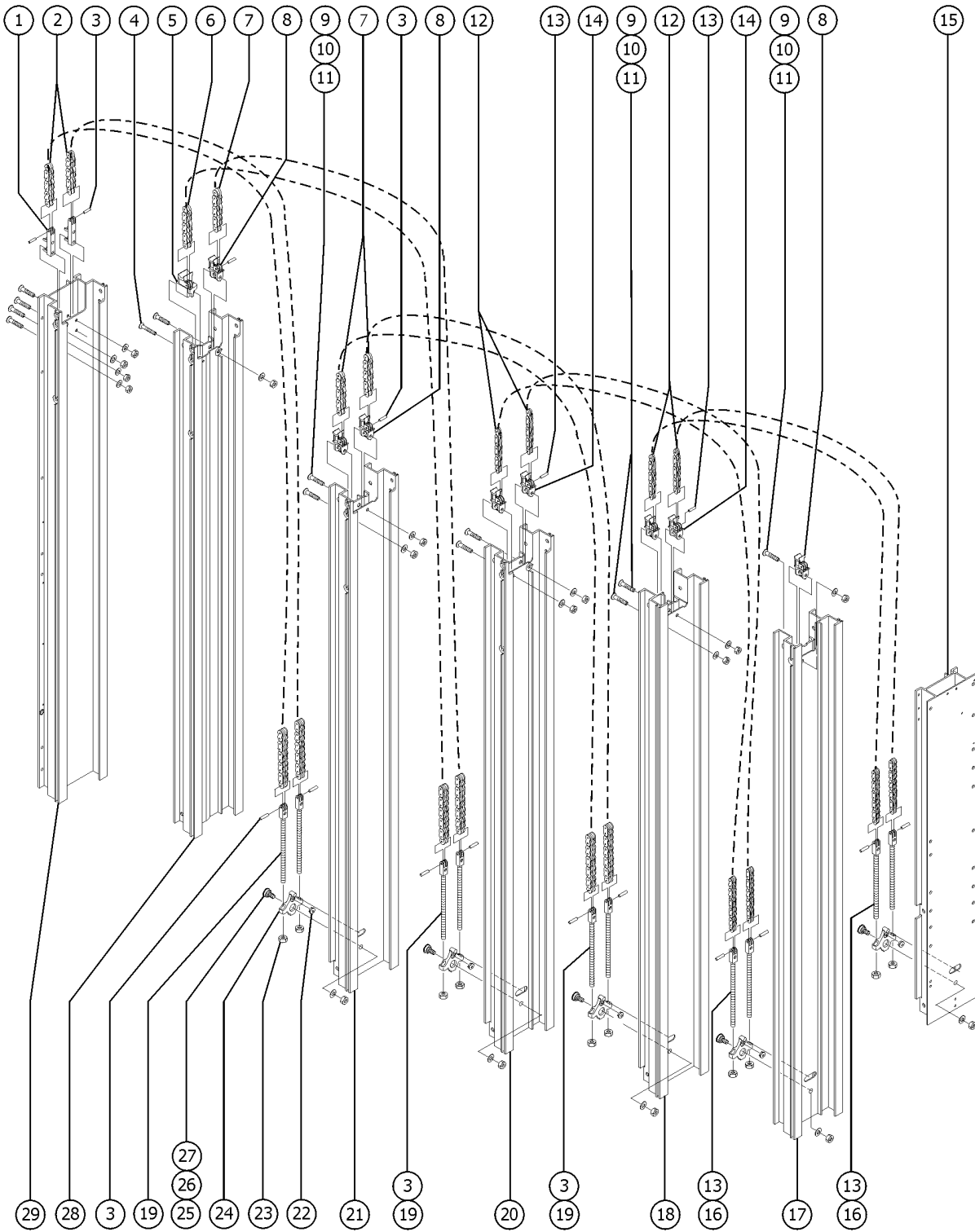


307.1 Lifting Chain Assembly, AWP-25S and AWP-36S

<i>Item</i>	<i>Part No.</i>	<i>Description</i>	<i>Qty.</i>
16		Ref. Number 5 Column (refer to 304.1)	
17		Ref. Number 4 Column (refer to 303.1)	
18	38187GT	CHAIN TERM.LWR.SS(2 SLOT)* (includes item 3)	4
19		Ref. Number 3 Column (refer to 302.1)	
20	11890GT	GLIDE BUTTON,SIDE,GLL,.100 TK	4
21	35712GT	NUT,NYLOCK,3/8-24	
22	35698GT	CHAIN TENSION ROCKER CAST.ZINC	4
23	35705GT	BOLT-ROCKER, S-SERIES	4
24	6095GT	WASHER,FLAT,USS,1/2",Y	
25	6198GT	NUT,NYLOCK,1/2-13	
26		Ref. Number 2 Column (refer to 301.1)	
27		Ref. Number 1 Column (refer to 301.1)	



308.1 Lifting Chain Assembly, AWP-30S and AWP-40S

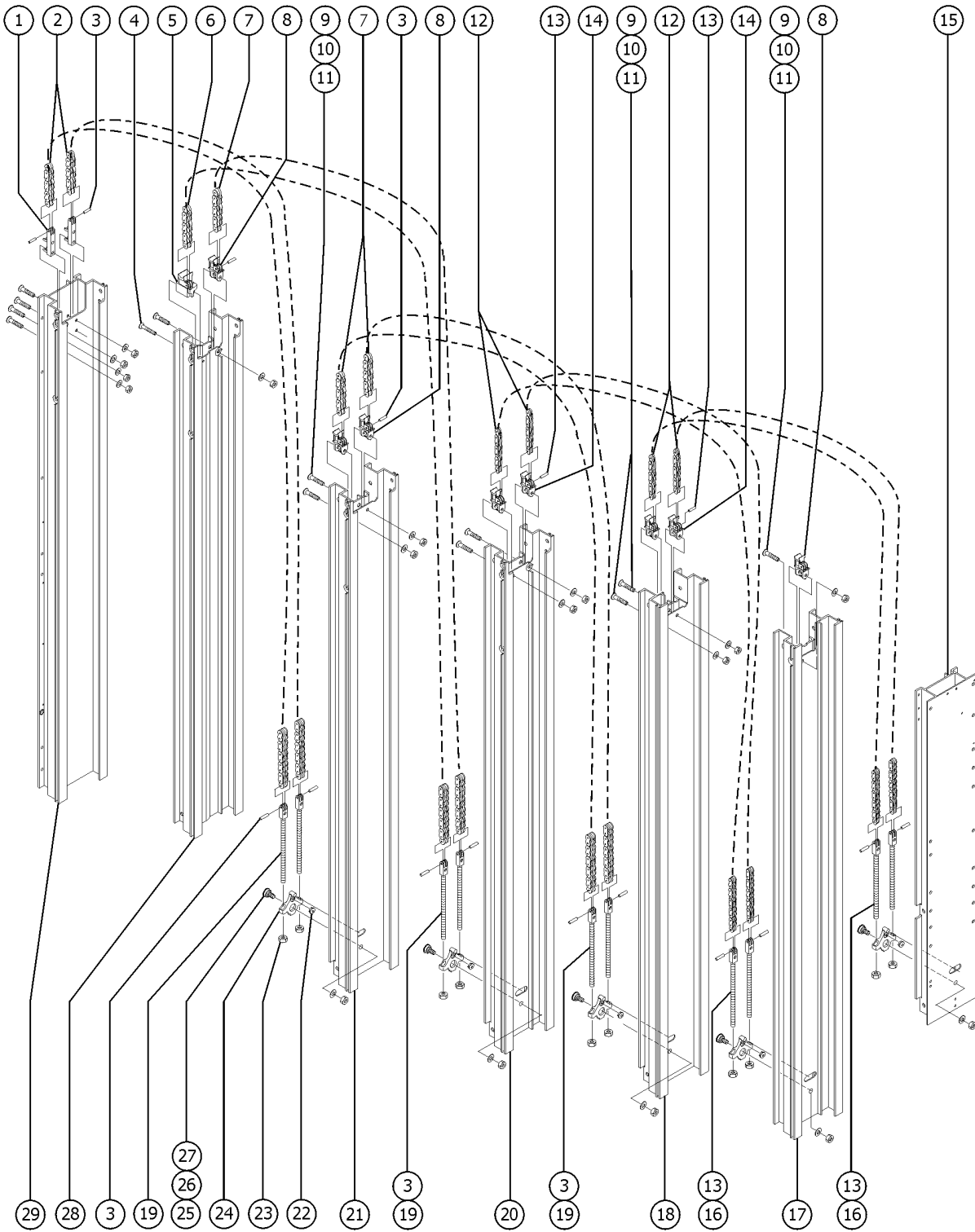


308.1 Lifting Chain Assembly, AWP-30S and AWP-40S

Item	Part No.	Description	Qty.
1	35699GT	CHAIN TERMINAL CASTING,#1	2
2A	37385GT	CHAIN ASSY#1,72.5"COL.S-SERIES (AWP-30S) (includes items 1 and 19)	2
2A-	35704-6813GT	CHAIN,STD.LEAF AL544,68.13"	
2B	37995GT	CHAIN ASSY#1,104.5"COL.S-SERIE (AWP-40S) (includes items 1 and 19)	2
2B-	35704-10063GT	CHAIN,STD.LEAF AL544,100.63"	
3A	6534GT	PIN,GROOVED-.200 X .75* (used with double slot chain terminals)	12
3B	38986GT	PIN,GROOVED,.200 X .50* (used with single slot chain terminals)	1
4	40945GT	SCREW,FHS,1/4-20 X 2.25	
5	35697GT	CHAIN TERM,CLEVIS CYL.,ZINC	1
6A	37384GT	CHAIN ASSY#2,72.5"COL.S-SERIES (AWP-30S) (includes items 5 and 19)	1
6A-	35704-6813GT	CHAIN,STD.LEAF AL544,68.13"	
6B	37996GT	CHAIN ASSY#2,104.5"COL.S-SERIE (AWP-40S) (includes items 5 and 19)	1
6B-	35704-10063GT	CHAIN,STD.LEAF AL544,100.63"	
7A	37386GT	CHAIN ASSY,72.5"COL. S-SERIES (AWP-30S) (includes items 8 and 19)	3
7A-	35704-6813GT	CHAIN,STD.LEAF AL544,68.13"	
7B	37997GT	CHAIN ASSY.104.5"COL. S SERIES (AWP-40S) (includes items 8 and 19)	3
7B-	35704-10063GT	CHAIN,STD.LEAF AL544,100.63"	
8	35695GT	CHAIN TERM,PULLEY SUPORT-ZINC	4
9	35714GT	SCREW,FHS,3/8-16 X 2.25	12
10	5397GT	WASHER,FLAT,USS,5/16",Y	
11	4828GT	NUT,NYLOCK,3/8-16	
12A	37387GT	CHAIN ASSY,72.5COL.(SM)S-SERIE (AWP-30S) (includes items 13, 14 and 16)	4
12A-	35703-6813GT	CHAIN,STD.LEAF AL522,68.13"	
12B	43015GT	CHAIN ASSY.(SM)104.5" S-SERIES (AWP-40S) (includes items 13, 14 and 16)	4
12B-	35703-10063GT	CHAIN,STD.LEAF AL522,100.63"	
13	38986GT	PIN,GROOVED,.200 X .50*	8
14	38980GT	CHAIN TERM,PULLEY SUPPORT-ZNC	4
15		Ref. Carriage Assembly	
		(refer to 305.1)	



308.1 Lifting Chain Assembly, AWP-30S and AWP-40S

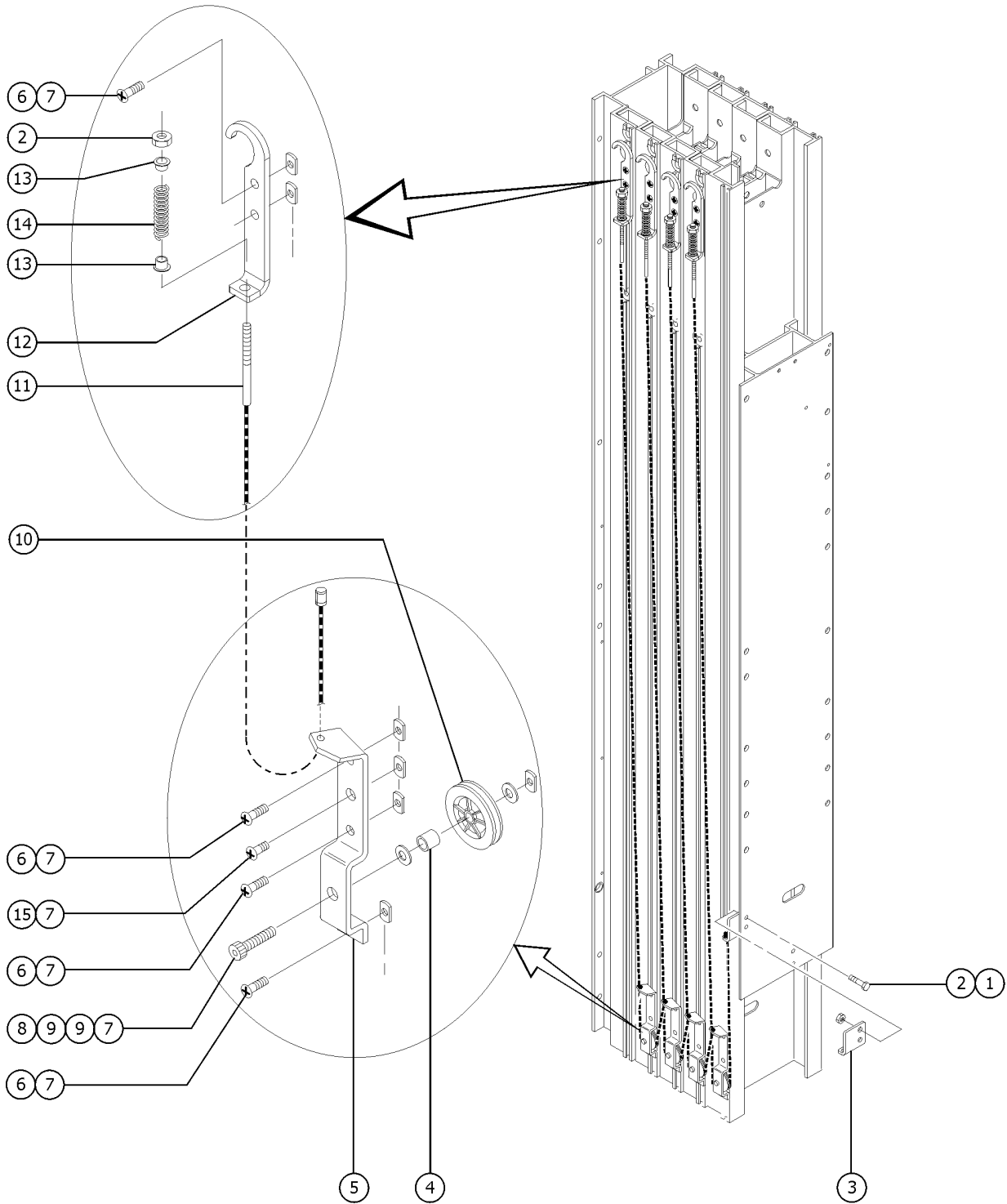


308.1 Lifting Chain Assembly, AWP-30S and AWP-40S

Item	Part No.	Description	Qty.
16	41224GT	CHAIN TERM.LWR.SS(1 SLOT) (includes item 3)	4
17		Ref. Number 6 Column (refer to 304.1)	
18		Ref. Number 5 Column (refer to 304.1)	
19	38187GT	CHAIN TERM.LWR.SS(2 SLOT)* (includes item 3)	10
20		Ref. Number 4 Column (refer to 304.1)	
21		Ref. Number 3 Column (refer to 304.1)	
22	11890GT	GLIDE BUTTON,SIDE,GLL,.100 TK (refer to 304.1)	5
23	35712GT	NUT,NYLOCK,3/8-24	
24	35698GT	CHAIN TENSION ROCKER CAST.ZINC	
25	35705GT	BOLT-ROCKER, S-SERIES	5
26	6095GT	WASHER,FLAT,USS,1/2",Y	
27	6198GT	NUT,NYLOCK,1/2-13	
28		Ref. Number 2 Column (refer to 301.1)	
29		Ref. Number 1 Column (refer to 301.1)	



309.1 Sequencing Cable Assembly

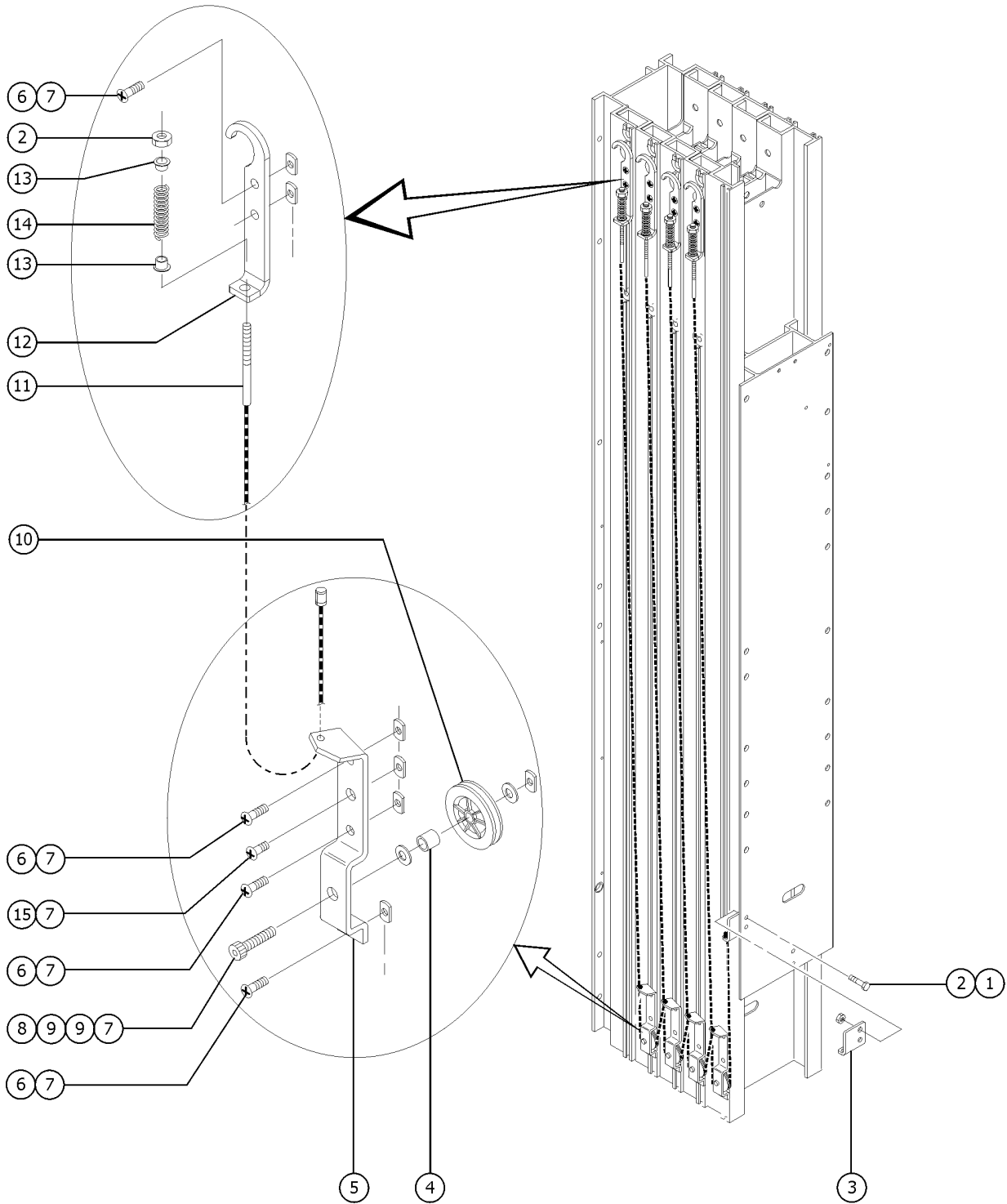


309.1 Sequencing Cable Assembly

Item	Part No.	Description	Qty.
1	6090GT	SCREW,HHC,1/4-20 X .75	
2A	6091GT	NUT,NYLOCK,1/4-20	5
		(AWP-20S)	
2B	6091GT	NUT,NYLOCK,1/4-20	6
		(AWP-25S and AWP-36S)	
2C	6091GT	NUT,NYLOCK,1/4-20	7
		(AWP-30S and AWP-40S)	
3	35734GT	FORMING, SEQUENCING, CARR, ZN	1
4A	44895GT	SPACER,TUBE,1/4X3/8X.50"LONG	3
		(AWP-20S)	
4B	44895GT	SPACER,TUBE,1/4X3/8X.50"LONG	4
		(AWP-25S and AWP-36S)	
4C	44895GT	SPACER,TUBE,1/4X3/8X.50"LONG	5
		(AWP-30S and AWP-40S)	
5A	35730GT	BRACKET,SEQUENCING,ZINC *	3
		(AWP-20S)	
5B	35730GT	BRACKET,SEQUENCING,ZINC *	4
		(AWP-25S and AWP-36S)	
5C	35730GT	BRACKET,SEQUENCING,ZINC *	5
		(AWP-30S and AWP-40S)	
6A	38979GT	SCREW,PHM,1/4-20X.5 PHIL	15
		(AWP-20S)	
6B	38979GT	SCREW,PHM,1/4-20X.5 PHIL	20
		(AWP-25S and 36S)	
6C	38979GT	SCREW,PHM,1/4-20X.5 PHIL	25
		(AWP-30S and 40S)	
7A	35991GT	NUT,WELD 1/4-20, PLATED L.L.**	21
		(AWP-20S)	
7B	35991GT	NUT,WELD 1/4-20, PLATED L.L.**	28
		(AWP-25S and AWP-36S)	
7C	35991GT	NUT,WELD 1/4-20, PLATED L.L.**	35
		(AWP-30S and AWP-40S)	
8A	41077GT	SCREW,SHC,1/4-20 X .875	3
		(AWP-20S)	
8B	41077GT	SCREW,SHC,1/4-20 X .875	4
		(AWP-25S and AWP-36S)	
8C	41077GT	SCREW,SHC,1/4-20 X .875	5
		(AWP-30S and AWP-40S)	
9A	12906GT	WASHER,FENDER,.25 X 1.25 X.062	6
		(AWP-20S)	
9B	12906GT	WASHER,FENDER,.25 X 1.25 X.062	8
		(AWP-25S and AWP-30S)	
9C	12906GT	WASHER,FENDER,.25 X 1.25 X.062	10
		(AWP-30S and AWP-40S)	
10A	35733GT	PULLEY,SEQUENCING,NYLATRON	3
		(AWP-20S)	
10B	35733GT	PULLEY,SEQUENCING,NYLATRON	4
		(AWP-25S and AWP-36S)	
10C	35733GT	PULLEY,SEQUENCING,NYLATRON	5
		(AWP-30S and AWP-40S)	
11A	40313GT	CABLE ASSY,SEQ.MAST,DPL	3
		(AWP-20S) (includes item 5)	
11B	40313GT	CABLE ASSY,SEQ.MAST,DPL	4
		(AWP-25S) (includes item 5)	



309.1 Sequencing Cable Assembly

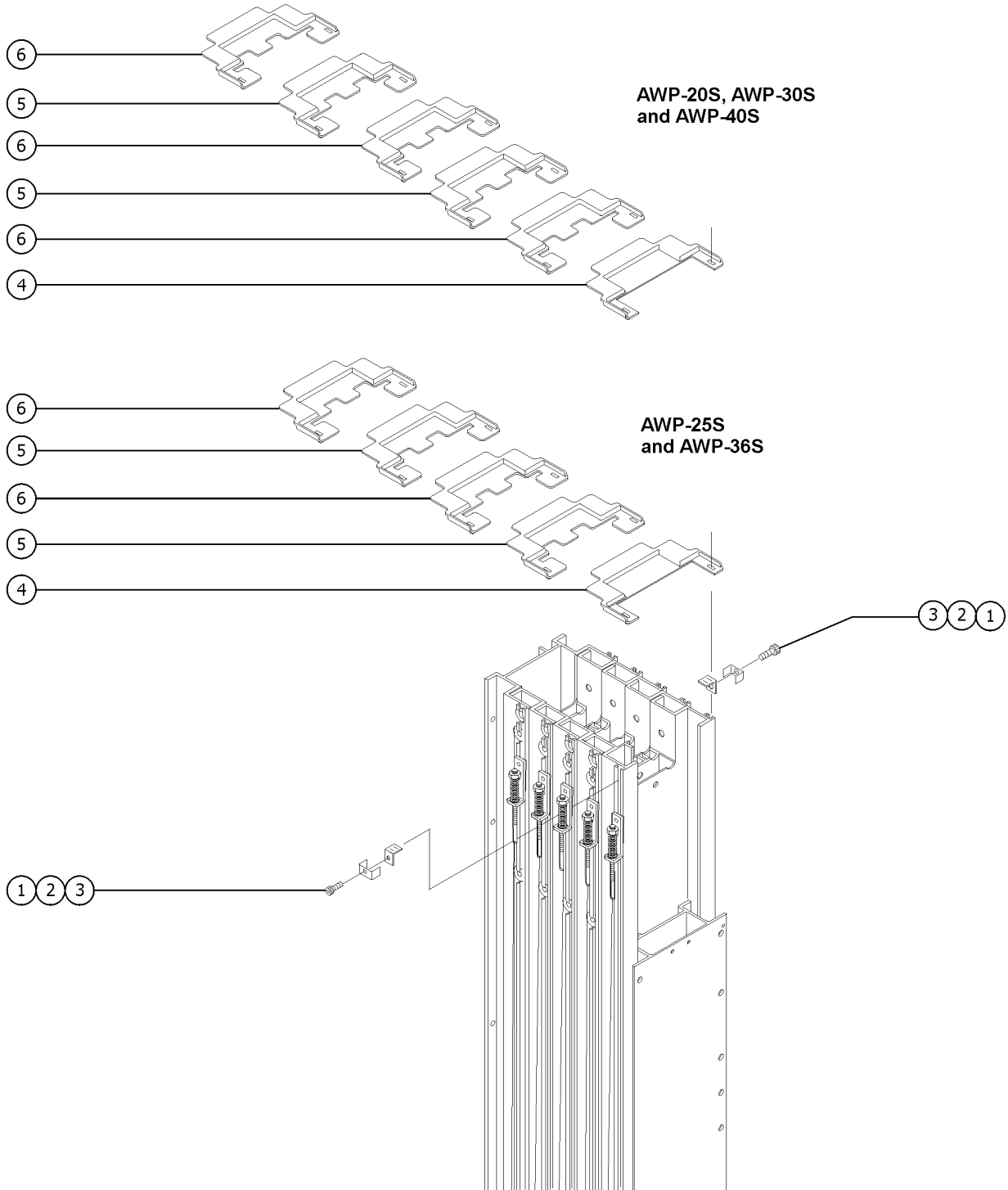


309.1 Sequencing Cable Assembly

Item	Part No.	Description	Qty.
11C	40313GT	CABLE ASSY,SEQ.MAST,DPL (AWP-30S) (includes item 5)	5
11D	40315GT	CABLE ASSY.,SEQ.#1 AWP-36/40S* (AWP-36S and AWP-40S) (# 1 column) (includes item 5)	1
11E	40314GT	CABLE,ASSY,SEQ.CARRIAGE** (AWP-20S and AWP-25S) (includes item 3)	1
11F	69223GT	SEQUENCE CABLE ASSY,CARRIAGE** (AWP-30S) (includes item 3)	1
11G	69225GT	SEQUENCE CABLE,AWP36S,40S** (AWP-36S) (includes item 5)	3
11H	69225GT	SEQUENCE CABLE,AWP36S,40S** (AWP-40S) (includes item 5)	4
11K	69224GT	SEQUENCE CABLE ASSY,CARRIAGE** (AWP-36S and AWP-40S) (includes item 3)	1
12A	57147GT	BRACKET,SEQUENCING,UPPER,ZI*** (AWP-36S and 40S Only) (not shown)	1
12B	109870GT	FORMING,SEQUENCING CABLE BRKT (AWP-20S)	3
12C	109870GT	FORMING,SEQUENCING CABLE BRKT (AWP-25S, AWP-36S and AWP-40S)	4
12D	109870GT	FORMING,SEQUENCING CABLE BRKT (AWP-30S)	5
13A	38234GT	BUSHING,FLANGE,3/8 OD X 1/4 ID (AWP-20S)	6
13B	38234GT	BUSHING,FLANGE,3/8 OD X 1/4 ID (AWP-25S and AWP-36S)	8
13C	38234GT	BUSHING,FLANGE,3/8 OD X 1/4 ID (AWP-30S and AWP-40S)	10
14A	8849GT	SPRING, TENSION CABLE (AWP-20S)	3
14B	8849GT	SPRING, TENSION CABLE (AWP-25S and AWP-36S)	4
14C	8849GT	SPRING, TENSION CABLE (AWP-30S and AWP-40S)	5
15A	109988GT	SCREW,PHM,1/4-20X.25 PHL (AWP-20S)	3
15B	109988GT	SCREW,PHM,1/4-20X.25 PHL (AWP-25S and AWP-36S)	4
15C	109988GT	SCREW,PHM,1/4-20X.25 PHL (AWP-30S and AWP-40S)	5



310.1 Mast Covers

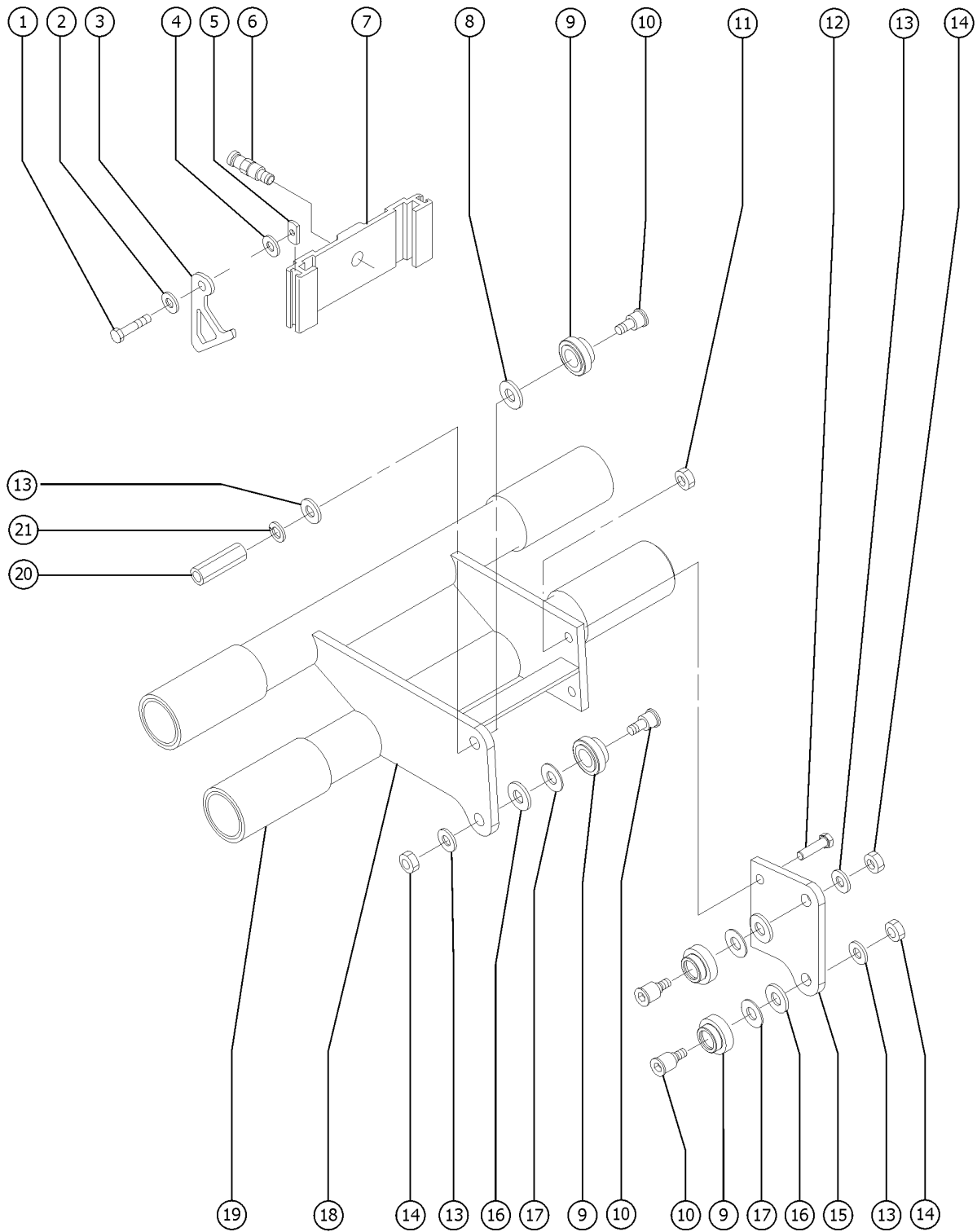


310.1 Mast Covers

Item	Part No.	Description	Qty.
1A	40004GT	SCREW,SHC,1/4-20 X .375 BLK (AWP-20S)	8
1B	40004GT	SCREW,SHC,1/4-20 X .375 BLK (AWP-25S and AWP-36S)	10
1C	40004GT	SCREW,SHC,1/4-20 X .375 BLK (AWP-30S and AWP-40S)	12
2A	41055GT	WASHER,T-SLOT (AWP-20S)	8
2B	41055GT	WASHER,T-SLOT (AWP-25S and AWP-36S)	10
2C	41055GT	WASHER,T-SLOT (AWP-30S and AWP-40S)	12
3A	38730GT	NUT,WELD,ANGLE,1/4" T-SLOT (AWP-20S)	8
3B	38730GT	NUT,WELD,ANGLE,1/4" T-SLOT (AWP-25S and AWP-36S)	10
3C	38730GT	NUT,WELD,ANGLE,1/4" T-SLOT (AWP-30S and AWP-40S)	12
4	38315GT	FLAP,CARRIAGE COVER*** All Models	1
5A	35786GT	FLAP,MAST COVER #2 & #4 (AWP-15S, AWP-20S)	1
5B	35786GT	FLAP,MAST COVER #2 & #4 (AWP-25S, AWP-36S, AWP-30, AWP-40)	2
6A	38314GT	FLAP,MAST COVER #1,#3,& #5 (AWP-15S)	1
6B	38314GT	FLAP,MAST COVER #1,#3,& #5 (AWP-20S, AWP-25S, AWP-36S)	2
6C	38314GT	FLAP,MAST COVER #1,#3,& #5 (AWP-30S, AWP-40S)	3



311.1 Loading Pivot Assembly

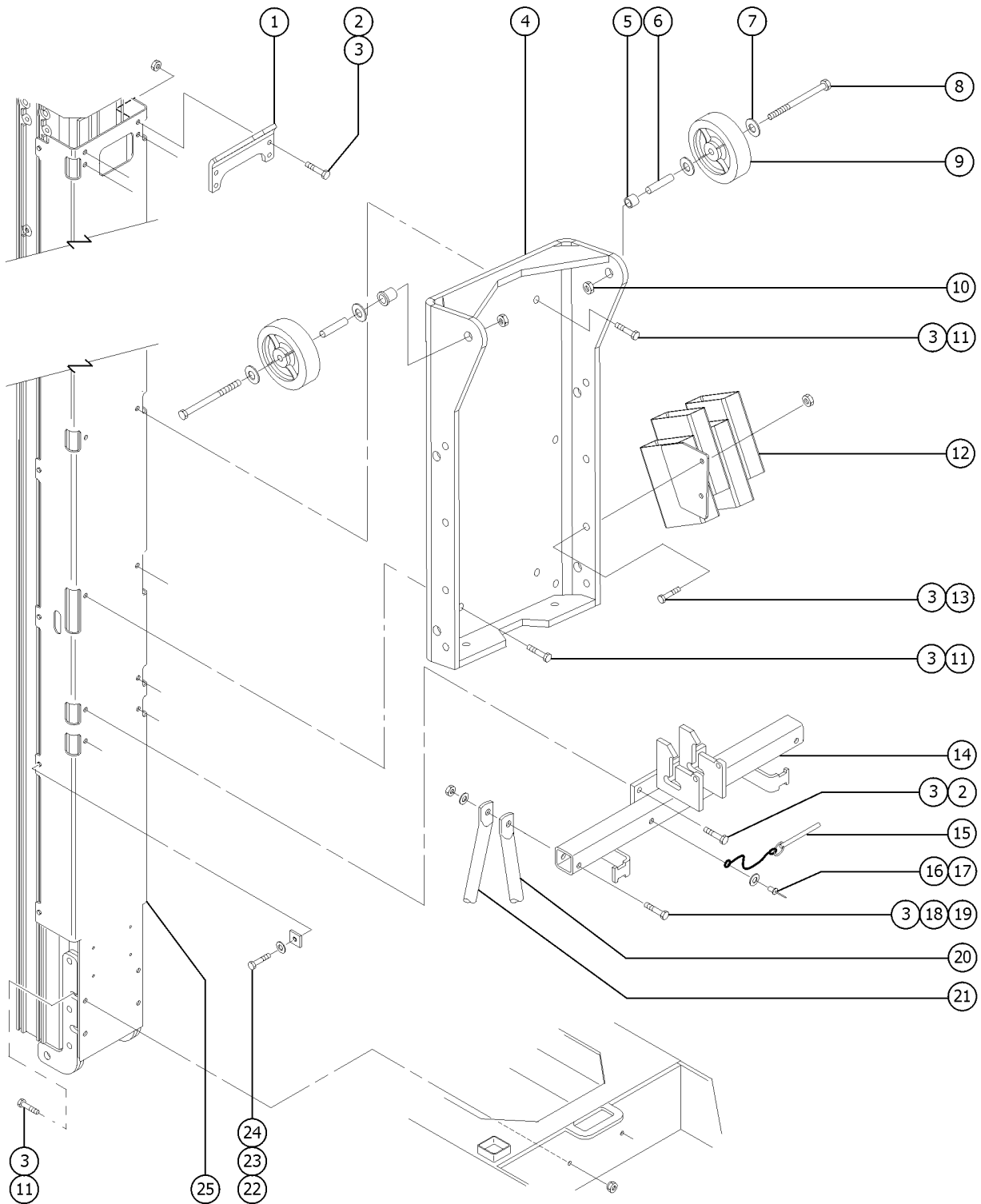


311.1 Loading Pivot Assembly

Item	Part No.	Description	Qty.
1	6090GT	SCREW,HHC,1/4-20 X .75	
2	6638GT	WASHER,FLAT,USS,1/4"Y	1
3	100944GT	PLATE, PIVOT HOOK	1
4	6638GT	WASHER,FLAT,USS,1/4"Y	1
5	35991GT	NUT,WELD 1/4-20, PLATED L.L.**	1
6	32375GT	PIN,LOCK,LONG***	1
7	40302GT	PIVOT STOP W/DECALS, AWP-S	1
8	8519GT	WASHER,SHIM,.5 X .875 X .033	
9	38347GT	ROLLER,LOADING,AWP,S-SERIES	4
10	38975GT	BOLT,ROLLER,.720"(LONG)	4
11	4828GT	NUT,NYLOCK,3/8-16	
12	5224GT	SCREW,HHC,3/8-16 X 2	
13	5397GT	WASHER,FLAT,USS,5/16",Y	
14	7713GT	NUT, LP NYLOCK, 3/8-16	
15A	100939GT	PLATE, LOAD PIVOT RT, REAR	
15B	100947GT	PLATE, NRW PIVOT RT, REAR	1
16	6052GT	WASHER,SHIM,.5 X .875 X .063	
17	6563GT	WASHER,SHIM,.75 X 1.125 X.030	
18A	107432GT	PIVOT SLIDER ASSY,W/DECAL,NRW (shown)	
18B	107431GT	PIVOT SLIDER ASSY,W/DECAL,STD	1
19A	27769GT	BUMPER, AWPII TILTBACK (narrow base)	4
19B	27769GT	BUMPER, AWPII TILTBACK (standrd base)	2
20	38037GT	NUT,COUPLER,3/8-16 X 1.0 LG	
21	6021GT	WASHER,LOCK,.375	



312.1 Number 1 Column Attached Parts, Standard Base with Tilt-back Frame

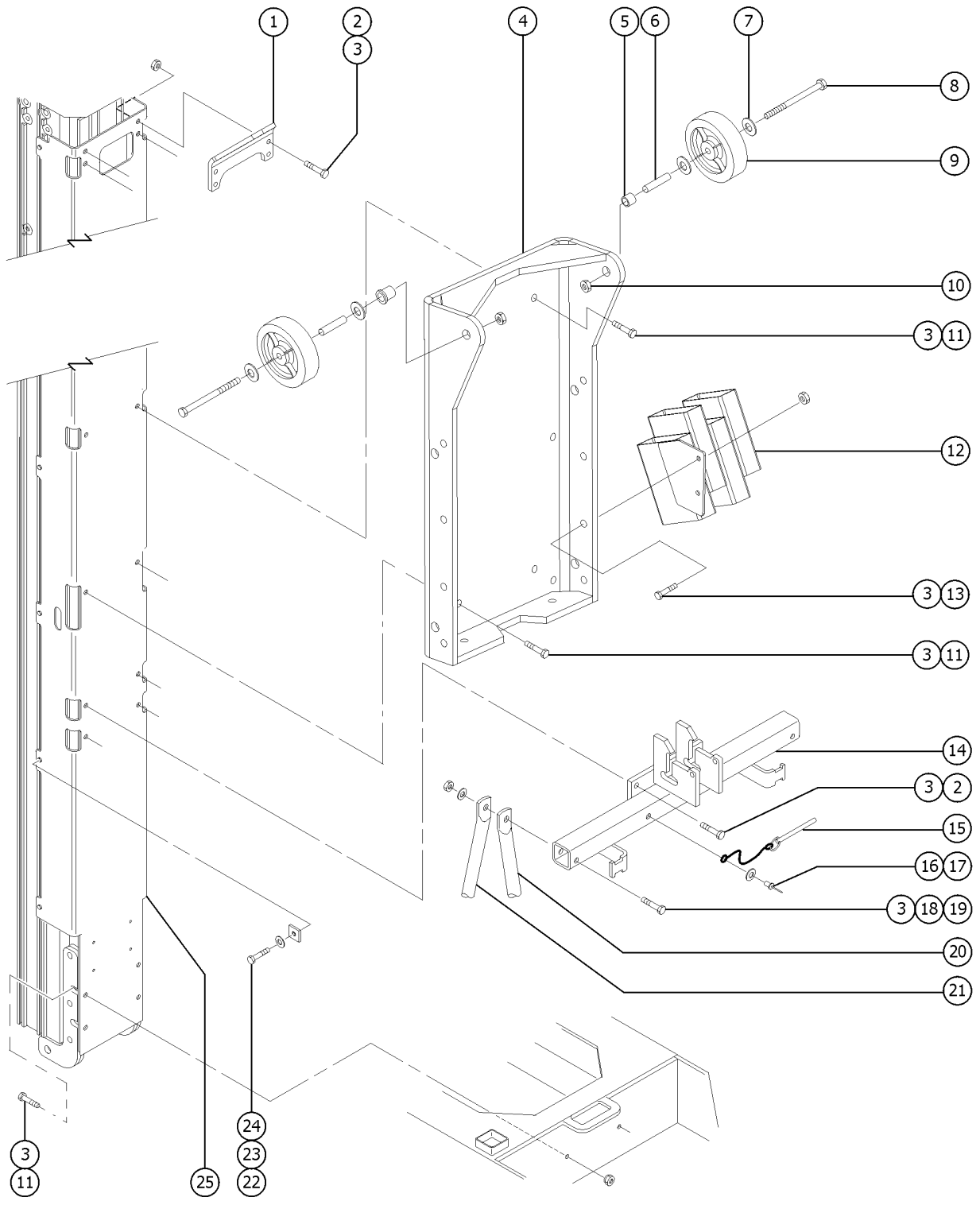


312.1 Number 1 Column Attached Parts, Standard Base with Tilt-back Frame

Item	Part No.	Description	Qty.
		Ref. Power Unit Mounting Plate (refer to Figure 313.1 or 403.1)	
1A	107023GT	LIFTING EYE ASSEMBLY (AWP-36S and AWP-40S)	1
1B	107469GT	LIFTING EYE ASSEMBLY (AWP-20S, AWP-25S and AWP-30S)	
2	8516GT	SCREW, HCC, 3/8-16 X 1.50	
3	4828GT	NUT, NYLOCK, 3/8-16	
4A	115152GT	MAST MOUNT PLATE W/DECAL (AWP-15S, AWP-20S, AWP-25S and AWP-30S)	1
4B	100898GT	WELDMENT, MAST MOUNT, STD (AWP-36S and AWP-40S)	1
5	100902GT	TUBE, SPACER .5 ID X .5	2
6	37202GT	BUSHING, 3/4 ODX 2.44 LGX .5 ID	2
7	6095GT	WASHER, FLAT, USS, 1/2", Y	
8	13854GT	SCREW, HHC, 1/2-13 X 4.5, GRD. 8	2
9	57788GT	WHEEL, POLY, 6X2, 3/4**	2
9-	37202GT	BUSHING, 3/4 ODX 2.44 LGX .5 ID	
10	6198GT	NUT, NYLOCK, 1/2-13	
11	6019GT	SCREW, HHC, 3/8-16 X 1.25 GRD 5	
12		Ref. Outrigger Storage Bracket Assembly (refer to 316.1)	
13	6175GT	SCREW, HHC, 3/8-16 X 1	
14A	38196GT	BATT.PACK HANGER ASSY. AWP-S (AWP-36S and AWP-40S) (includes items 15, 16, and 17)	1
14B	43052GT	BATT.PACK HANGER ASSY. AWP-S (AWP-20S, AWP-25S and AWP-30S) (includes items 15, 16, and 17)	
14C	107381GT	BATT.PACK HANGER ASSY. (AWP-20S, AWP-25S and AWP-30S) (includes items 15, 16, and 17)	
15	8525GT	STAB.RET.PIN ASSY, DPL / AWP	1
16	6638GT	WASHER, FLAT, USS, 1/4" Y	1
17	6271GT	RIVET, ALUM, ALUM, P, .25 x .375	1
18	6097GT	WASHER, FLAT, USS, 3/8", Y	
19A	14033GT	SCREW, HHC, 3/8-16 X 2.75	2
19B	6326GT	SCREW, HHC, 3/8-16 X 3	2
20A	38344-SGT	STRUT, TILTBACK, L.H.AWP96 (AWP-36S and AWP-40S)	1
20B	38340-SGT	STRUT, TILTBACK, L.H.AWP96 (AWP-20S, AWP-25S, AWP-30S, AWP-36S and AWP-40S)	



312.1 Number 1 Column Attached Parts, Standard Base with Tilt-back Frame

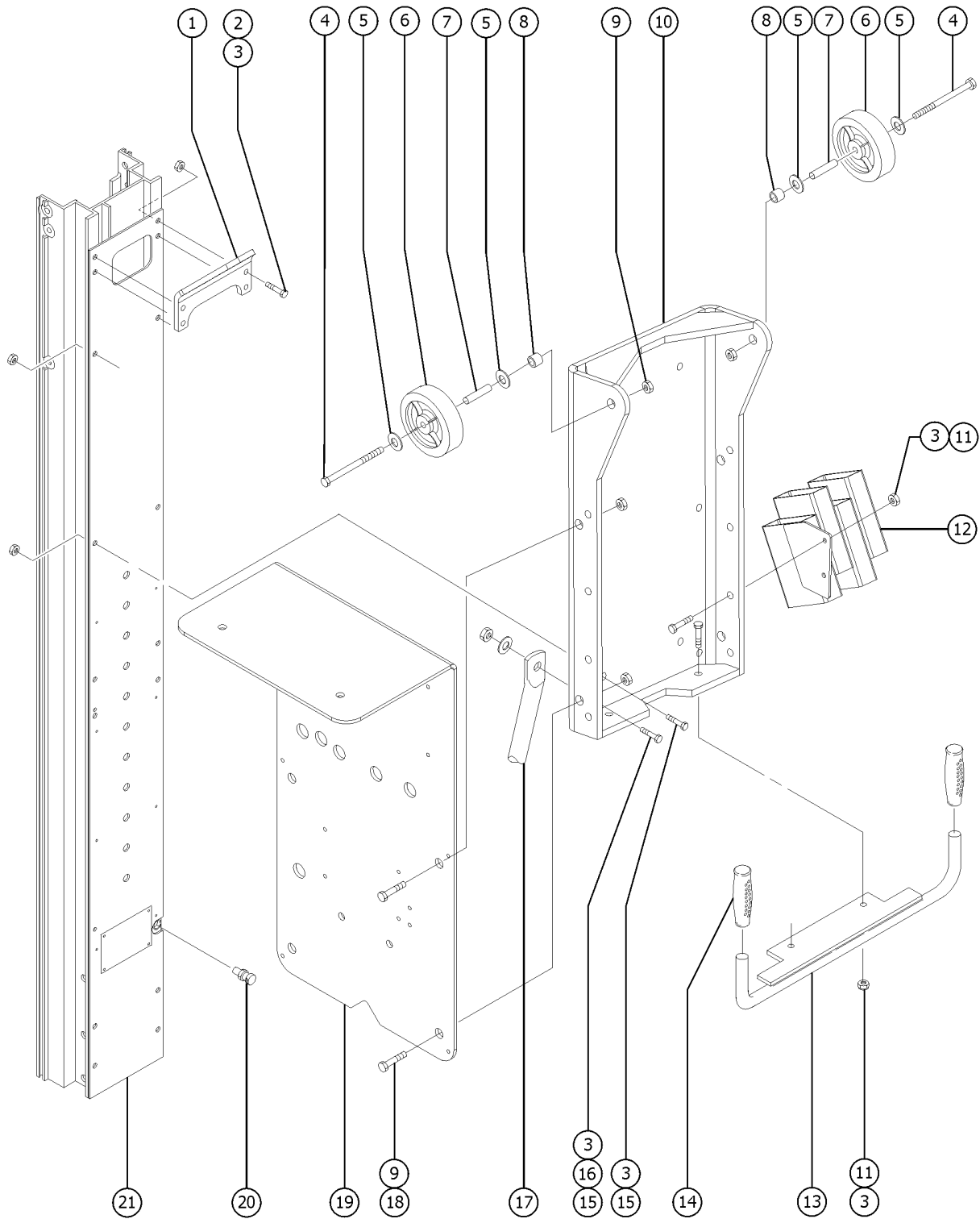


312.1 Number 1 Column Attached Parts, Standard Base with Tilt-back Frame

<i>Item</i>	<i>Part No.</i>	<i>Description</i>	<i>Qty.</i>
21A	38345-SGT	STRUT,TILTBACK,R.H.AWP96 (AWP-36S and AWP-40S) (from SN 51505)	1
21B	38341-SGT	STRUT, TILTBACK,R.H.AWP96 (AWP-20S, AWP-25S, AWP-30S, AWP-36S and AWP-40S)	
22	7339GT	SCREW,HHC,1/4-20 X .5	14
23	25926GT	WASHER,FLAT,M6 PLTD.	14
24	35991GT	NUT,WELD 1/4-20, PLATED L.L.**	14
25A	109551GT	FORMING,COL REINFORCEMENT*** (AWP-15S, AWP-36S and AWP-40S)	1
25B		Ref., PLATE, COL 1 BACKPLATE (AWP-20S, AWP-25S, AWP-30S) Refer to 313.1	



313.1 Number 1 Column Attached Parts, Standard Base Model

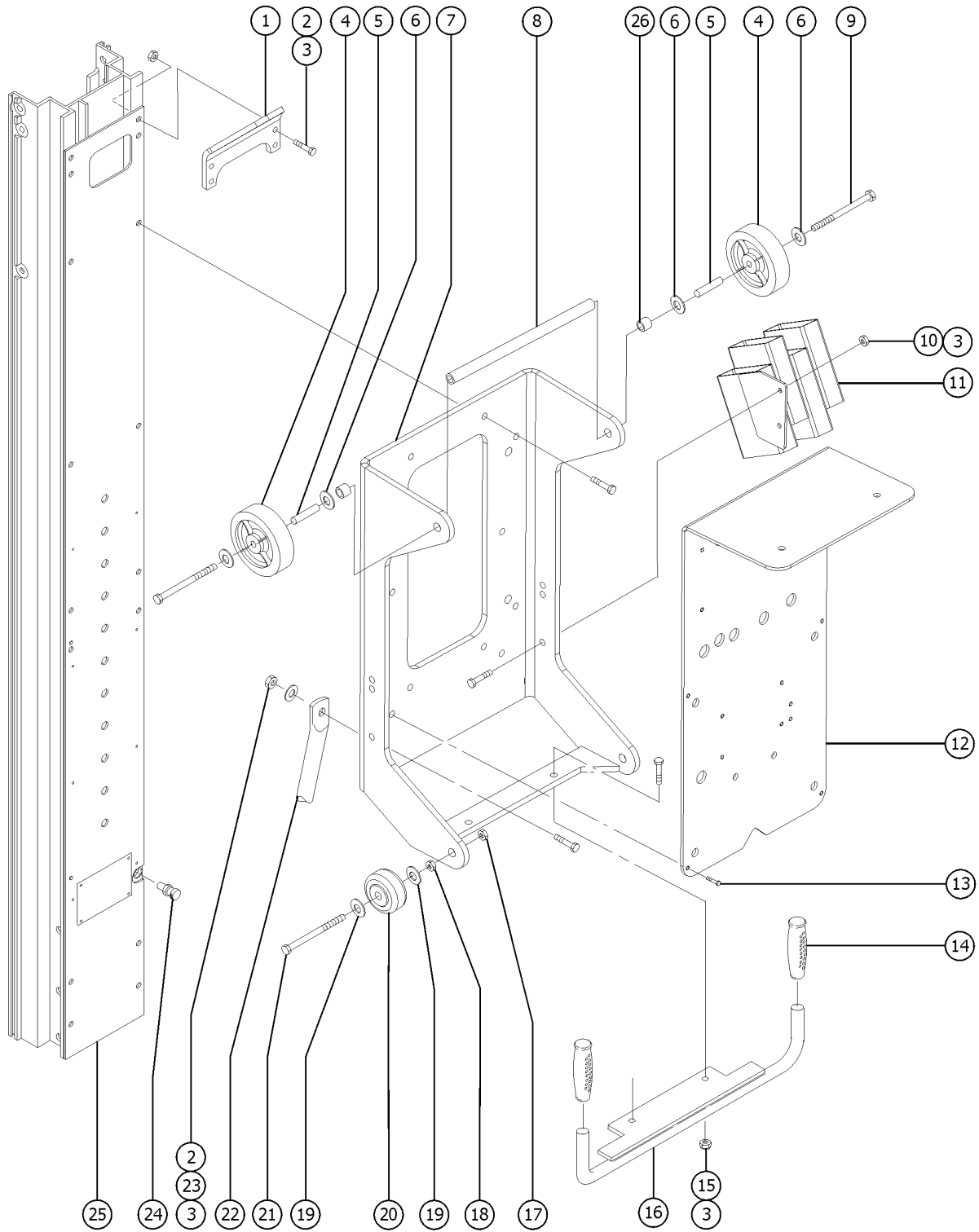


313.1 Number 1 Column Attached Parts, Standard Base Model

Item	Part No.	Description	Qty.
1A	107023GT	LIFTING EYE ASSEMBLY (AWP-36S and AWP-40S)	1
1B	107469GT	LIFTING EYE ASSEMBLY (AWP-20S, AWP-25S and AWP-30S)	
2	8516GT	SCREW, HCC, 3/8-16 X 1.50	
3	4828GT	NUT, NYLOCK, 3/8-16	
4	13854GT	SCREW, HHC, 1/2-13 X 4.5, GRD.8	2
5	6095GT	WASHER, FLAT, USS, 1/2", Y	
6	57788GT	WHEEL, POLY, 6X2, 3/4**	2
7	37202GT	BUSHING, 3/4ODX2.44LGX.5ID	2
8	100902GT	TUBE, SPACER .5 ID X .5	2
9	6198GT	NUT, NYLOCK, 1/2-13	
10	100898GT	WELDMENT, MAST MOUNT, STD	1
11	6175GT	SCREW, HHC, 3/8-16 X 1	
12		Ref. Outrigger Storage Bracket (refer to 316.1)	
13	38040GT	BATTERY BOX HANGER WELDMENT	1
14	6587GT	HANDLE GRIP, RUBBER .75 X 4.5	2
15	6019GT	SCREW, HHC, 3/8-16 X 1.25 GRD 5	
16	6097GT	WASHER, FLAT, USS, 3/8", Y	
17A	32425-SGT	MAST BRACE, L.H. (AWP-20S, AWP-25S and AWP-30S)	1
17B	32424-SGT	MAST BRACE, R.H. (AWP-20S, AWP-25S and AWP-30S) (not shown)	
18	51496GT	SCREW, HHC, 1/2-13 X 1.375	2
19	100893GT	FORMING, POWER UNIT MOUNT	1
20	33674GT	PIN, LOCK, SHORT***	1
21A		Ref., FORMING, COL REINFORCEMENT*** (AWP-15S, AWP-36S and AWP-40S) Refer to 312.1	
21B	100901GT	PLATE, COL 1 BACKPLATE (AWP-20S, AWP-25S, AWP-30S)	1
21B-	8920GT	RIVET, ALUM, ALUM, P., 156 X .375 (AWP-20S, AWP-25S, AWP-30S)	8



314.1 Number 1 Column Attached Parts, Narrow or Rough Terrain Base Model

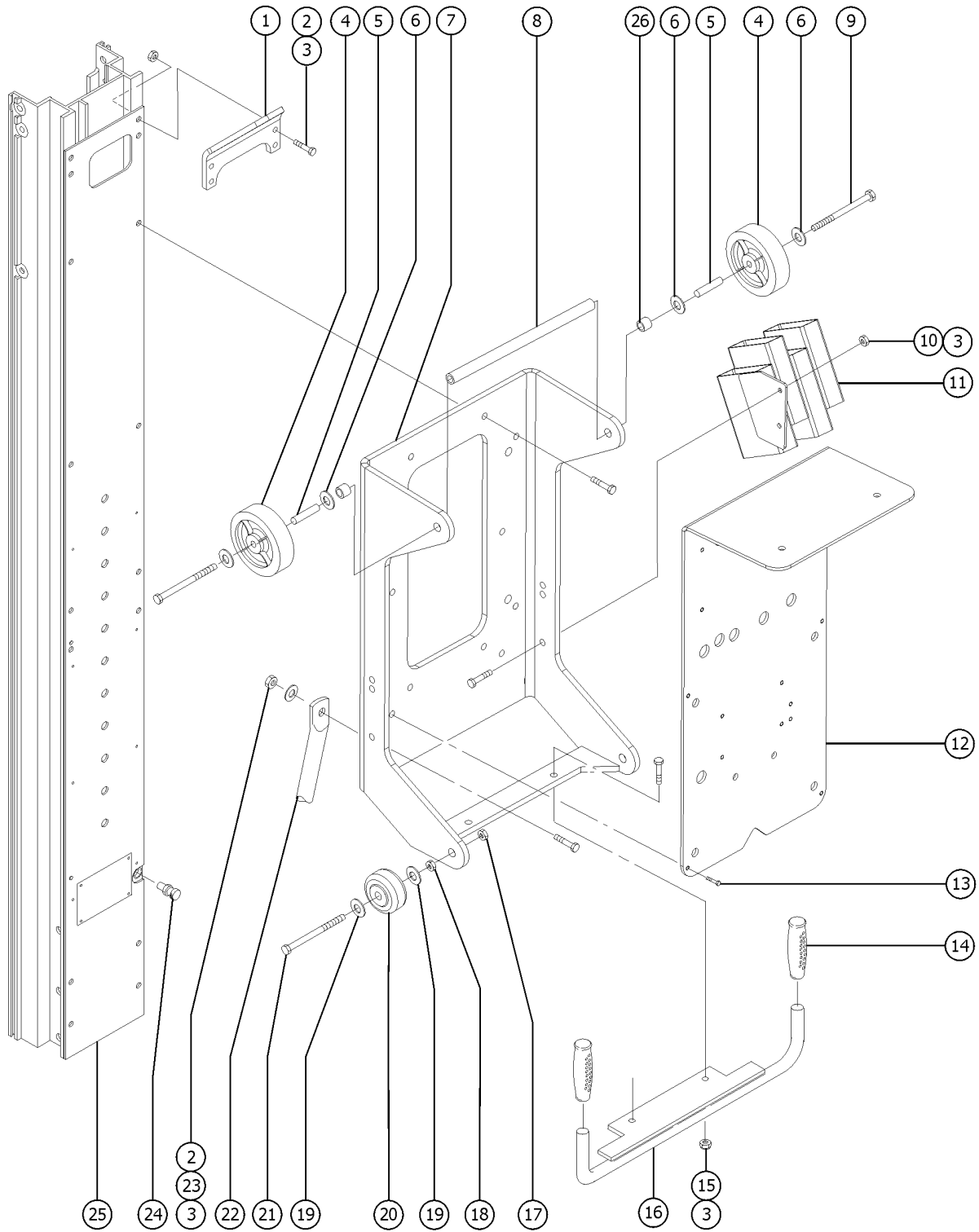


314.1 Number 1 Column Attached Parts, Narrow or Rough Terrain Base Model

Item	Part No.	Description	Qty.
1A	107023GT	LIFTING EYE ASSEMBLY (AWP-36S and AWP-40S)	1
1B	107469GT	LIFTING EYE ASSEMBLY (AWP-20S, AWP-25S and AWP-30S)	
2	8516GT	SCREW, HCC, 3/8-16 X 1.50	
3	4828GT	NUT, NYLOCK, 3/8-16	
4	57788GT	WHEEL, POLY, 6X2, 3/4**	2
5	37202GT	BUSHING, 3/4 ODX 2.44 LGX .5ID	2
6	6564GT	WASHER, SHIM, .765 X 1.312 X .093	4
7	124194GT	WELDMENT, NAST MOUNT, NRW	1
8	38724GT	COUPLER TUBE, 13.62"	1
9	8220GT	SCREW, HHC, 1/2-13 X 4	
10	6019GT	SCREW, HHC, 3/8-16 X 1.25 GRD 5	
11		Ref. Outrigger Storage Bracket, Right Side (refer to 316.1)	
12	100893GT	FORMING, POWER UNIT MOUNT	1
13	43136GT	SCREW, PHM, 1/4-20 X .625	
14	6587GT	HANDLE GRIP, RUBBER .75 X 4.5	
15	6175GT	SCREW, HHC, 3/8-16 X 1	
16	38040GT	BATTERY BOX HANGER WELDMENT	1
17	6198GT	NUT, NYLOCK, 1/2-13	
18	6034GT	NUT, HEX, JAM, 1/2-13	
19	6095GT	WASHER, FLAT, USS, 1/2", Y	
20	57781GT	WHEEL, POLYOLEFIN, 2.5X1.25, 1/2	2
21	8357GT	SCREW, HHC, 1/2-13 X 3.5	
22A	32425-SGT	MAST BRACE, L.H. (AWP-20S, AWP-25S and AWP-30S)	1
22B	32424-SGT	MAST BRACE, R.H. (AWP-20S, AWP-25S and AWP-30S)(not shown)	
23	6097GT	WASHER, FLAT, USS, 3/8", Y	
24	33674GT	PIN, LOCK, SHORT***	1
25A		Ref., FORMING, COL REINFORCEMENT*** (AWP-15S, AWP-36S and AWP-40S) Refer to 312.1	
25B		Ref., PLATE, COL 1 BACKPLATE (AWP-20S, AWP-25S and AWP-30S) Refer to 313.1	2



314.1 Number 1 Column Attached Parts, Narrow or Rough Terrain Base Model

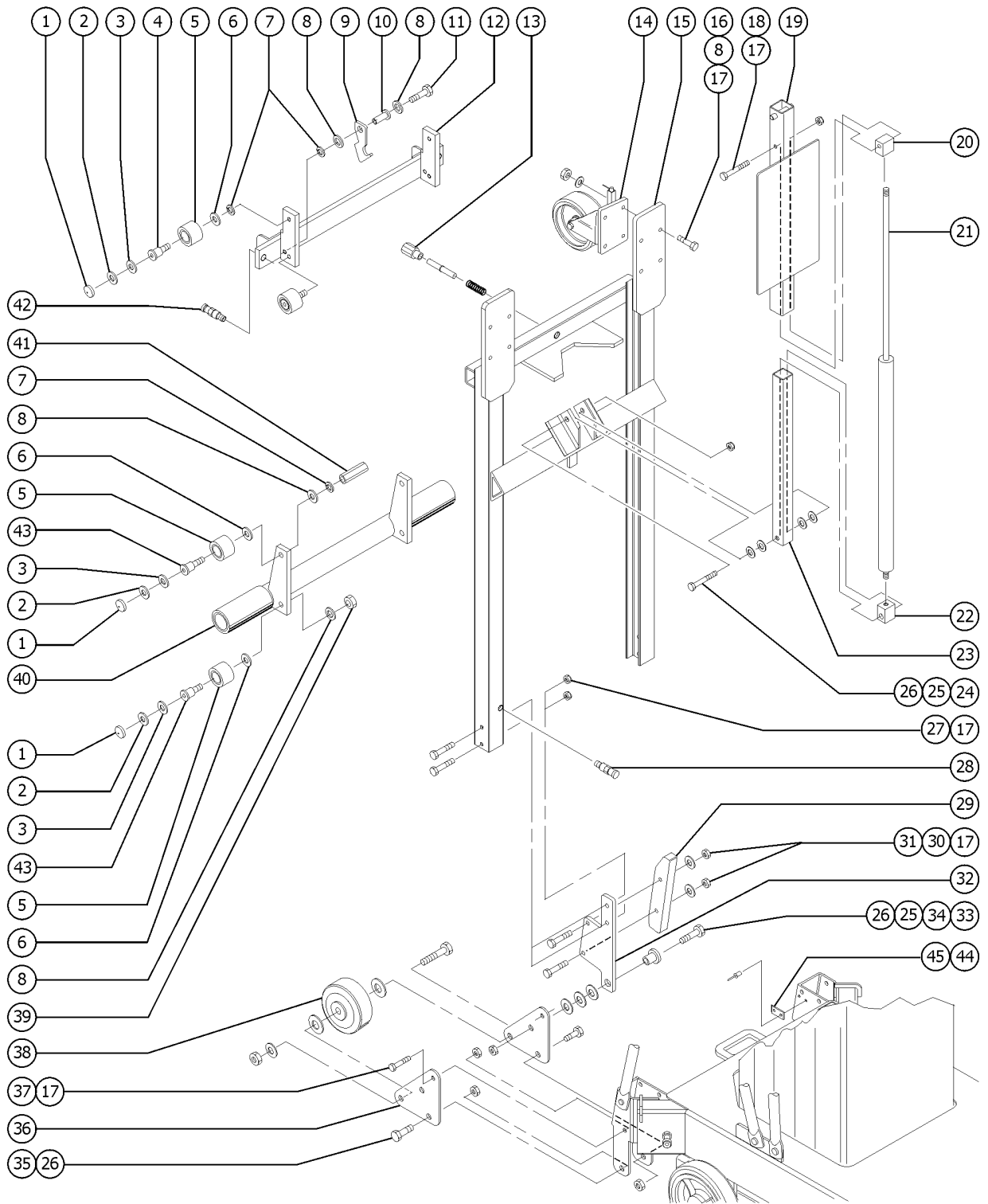


314.1 Number 1 Column Attached Parts, Narrow or Rough Terrain Base Model

<i>Item</i>	<i>Part No.</i>	<i>Description</i>	<i>Qty.</i>
26	100902GT	TUBE, SPACER .5 ID X .5	



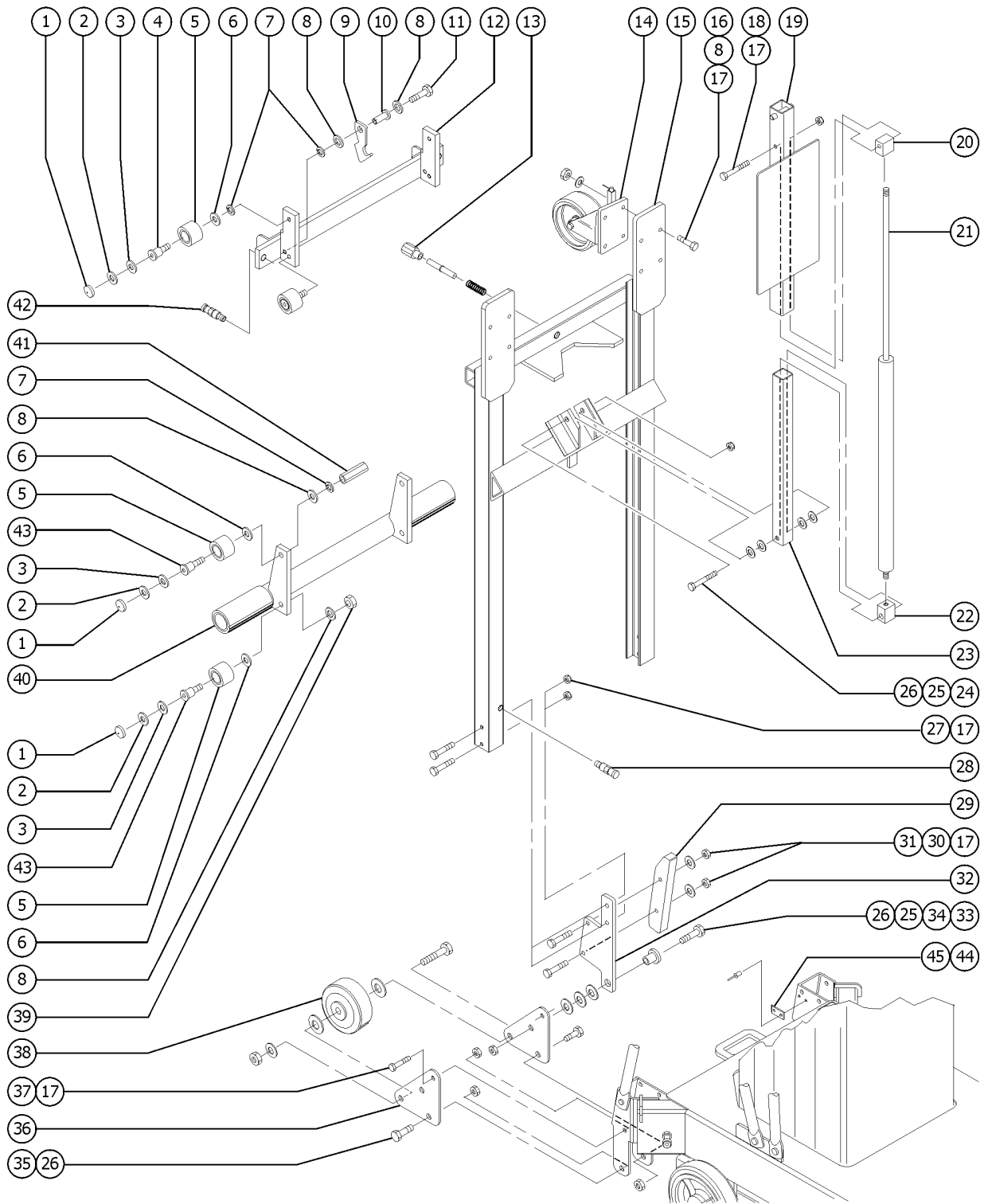
315.1 Tilt-back Frame Assembly



Item	Part No.	Description	Qty.
A	40274GT	TILTBACK SHOCK ASSY,AWP36-S (includes items 17-26 and decal plate with decal)	
B	40275GT	TILTBACK SHOCK ASSY,AWP40-S (includes items 17-26 and decal plate with decal)	
C	43058GT	TILTBACK SHOCK ASSY,AWP15/20S (includes items 17-26)	
D	43059GT	TILTBACK SHOCK ASSY,AWP25/30S (includes items 17-26)	
E	43056GT	TILTBACK KIT 25/30AWP-S	
1	21279GT	BUTTON, .800 O.D. X .281	8
2	21441GT	SHIM,.75 X.45 X.016	4
3	21442GT	SHIM,.75 X.45 X.032	4
4	21437GT	BOLT,ROLLER-SHORT STEM,.63	4
5	21278GT	ROLLER,NYLATRON 1.50 O.D.***	8
6	8519GT	WASHER,SHIM,.5 X .875 X .033	8
7	6021GT	WASHER,LOCK,.375	
8	5397GT	WASHER,FLAT,USS,5/16",Y	
9	24697-SGT	PIVOT RETAINER HOOK (SERVICE)	1
10	33720GT	BEARING,FLANGE,3/8 (AWP & ST)	1
11	32317GT	SCREW,HHC,3/8-24 X 1 GR 8 YEL	1
12	40276GT	PIVOT STOP BRKT.ASSY,S-SERIES	1
13	25087GT	ASSY,SPRING PLUNGER,AWP TILTBK	1
13-	25084GT	SPRING,AWP TILT-BACK	
13-	25085GT	SPRING HOUSING,AWP TILT-BACK	
13-	25086GT	SPRING PLUNGER,AWP TILT-BACK	
14	57733GT	CASTER,PL,SW LOCK,5 X 2**	2
15A	38195GT	TILTBACK FRAME W/DECALS,AWP-S* (AWP-36S and AWP-40S)	1
15B	43054GT	TILTBACK FRAME W/DECALS,AWP-S (AWP-20S, AWP-25S and AWP-30S)	
16	8516GT	SCREW, HCC, 3/8-16 X 1.50	
17	4828GT	NUT,NYLOCK,3/8-16	
18	8178GT	SCREW,HHC,3/8-16 X 2.5	
19A	40506GT	WELDMENT GAS.UPR.W/DECAL AWP-S (AWP-36S and AWP-40S)	1



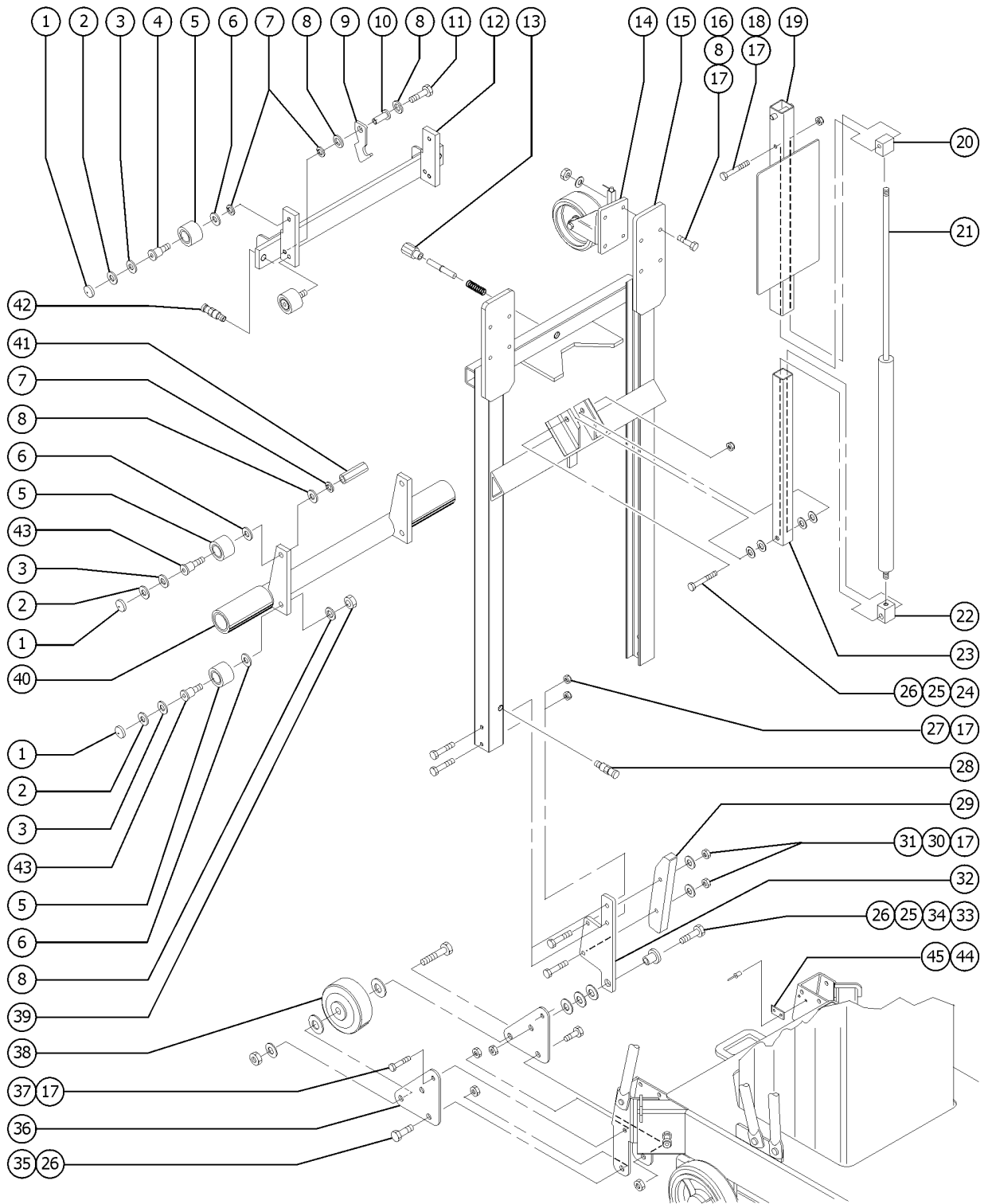
315.1 Tilt-back Frame Assembly



Item	Part No.	Description	Qty.
19B	41033GT	WELDMENT,GAS SPRING HSING-SHOR (AWP-20S, AWP-25S and AWP-30S)	
20	38324GT	BLOCK,UPPER GAS SPRING MOUNT 1	1
21A	38990GT	GAS SPRING AWP-36S,S-SERIES (AWP-36S)	1
21B	38322GT	GAS SPRING AWP-40S,S-SERIES (AWP-40S)	
21C	41053GT	GAS SPRING AWP-15/20S,S-SERIES (AWP-20S)	
21D	41054GT	GAS SPRING AWP-25/30S,S-SERIES (AWP-25S and AWP-30S)	
22	38323GT	BLOCK,LOWER GAS SPRING MOUNT 1	1
23	38318GT	TUBE,LOWER GAS SPRING,ZINC (AWP-36S and AWP-40S)	1
24	6732GT	SCREW,HHC,1/2-13 X 3.25	
25A	6564GT	WASHER, SHIM,.765 X 1.312 X .093 (quantities vary)	
25B	1259993GT	SPACER,.781IDX1.5ODX.375THK (AWP-36S and AWP-40S) (not shown)	2
26	6198GT	NUT,NYLOCK,1/2-13	
27	6708GT	SCREW,HHC,3/8-16 X 2.25	
28	6825GT	PIN,OUTRIGGER LOCK (for AWP-20, AWP-25 and AWP-30)	1
29	27415GT	BLOCK, GUIDE, AWP 2	2
30	6097GT	WASHER,FLAT,USS,3/8",Y	
31	5224GT	SCREW,HHC,3/8-16 X 2	
32	37681-SGT	PLATE,TILTBACK HINGE,"BLUE" 2	2
33	9145GT	SCREW,HHC,1/2-13 X 2.5,GR5	
34	32834GT	BUSHING,BRONZE,.50 X .75	2
35	10597GT	SCREW,HHC,1/2-13 X 1.25 GR5	
36	37687-SGT	PLATE,BASE ATTACHMENT,TB,BLUE 4	4
37	6175GT	SCREW,HHC,3/8-16 X 1	
38	57785GT	WHEEL,TPE,5 X 2, 3/4, 1/2** confirm size before ordering	2
38B	57788GT	WHEEL,POLY,6X2, 3/4** confirm size before ordering	
39	5408GT	NUT,LP NYLOCK,3/8-24 3	3
40	32925GT	PIVOT WELD W/RUBBER 1	1
40-	27769GT	BUMPER, AWPII TILTBACK	



315.1 Tilt-back Frame Assembly



315.1 Tilt-back Frame Assembly

<i>Item</i>	<i>Part No.</i>	<i>Description</i>	<i>Qty.</i>
40-	6271GT	RIVET, ALUM, ALUM, P, .25 x .375	
41	6180GT	COUPLING,ROD,3/8-24	1
42	32375GT	PIN,LOCK,LONG***	2
43	21280GT	BOLT-ROLLER,3/8-24 X 1.69-ZINC	4
44	39474GT	WEAR PAD,PLATFORM	2
45	33776GT	RIVET,STL,STL,P,.188 X .375	4



316.1 Outrigger Storage Bracket Assembly Cross Reference

Standard Base

Applicable Standard / Region	AWP-20 S (AC or DC)	AWP-25 S (AC or DC)	AWP-30 S (AC or DC)	AWP-30 S (Air)	AWP-36 S (AC or DC)	AWP-40 S (AC or DC)
ANSI/CSA (USA, Asia, South America, Canada)(to SN AWPP-99999)						
Outrigger Storage Bracket Assembly (refer to 313.1)	107425	107425	107425	107425	107425	107425
CE (Europe) Indoor (to SN AWPP-99999); For all markets (from SN AWPP-100000)						
Outrigger Storage Bracket Assembly (refer to 313.1)	107425	107425	107426	107426	107425	107425
All Markets, Outdoor						
Outrigger Storage Bracket Assembly (refer to 313.1)	107425	107425	107426	107426	107425	107425

Narrow Base or Rough Terrain Base

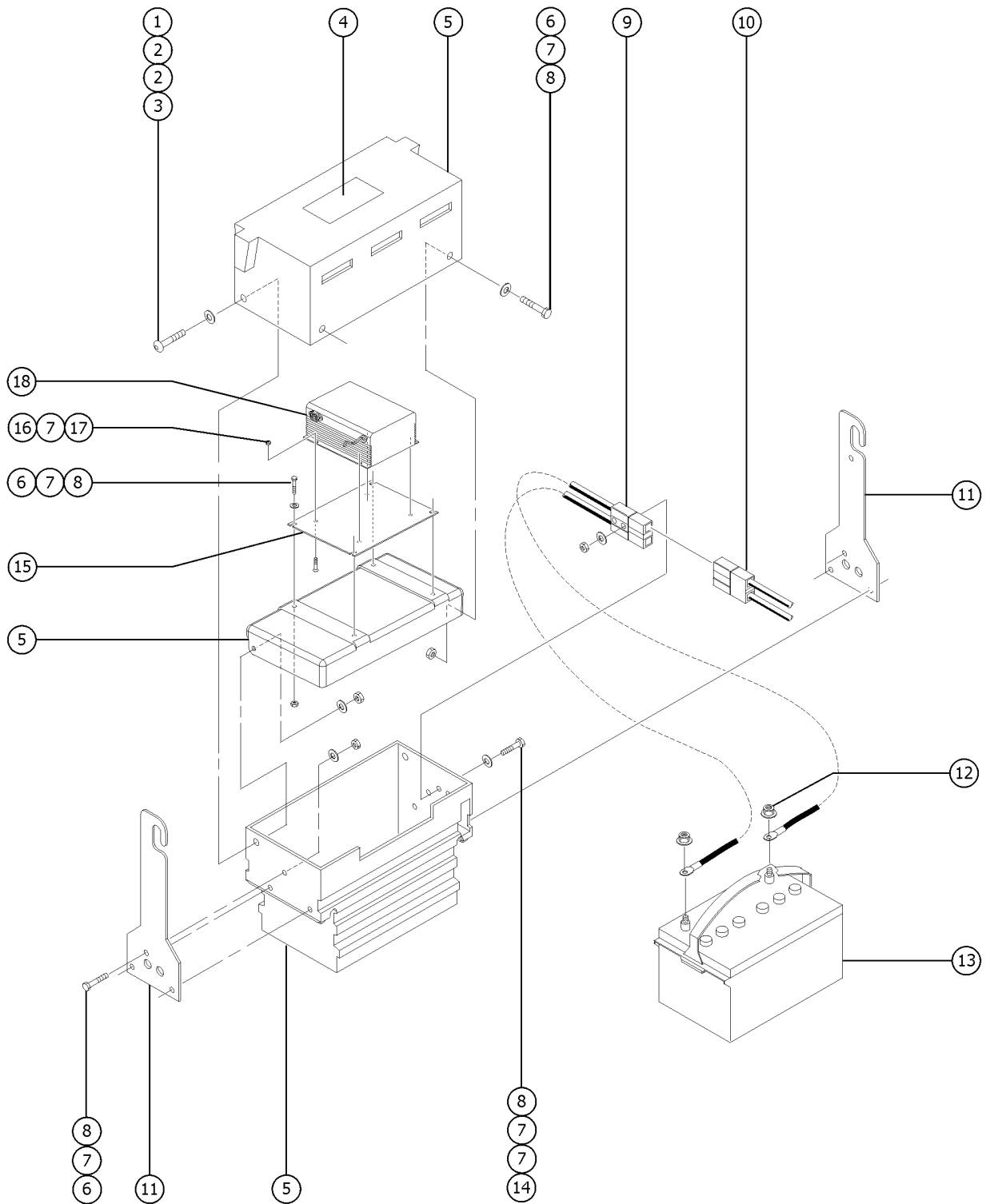
Applicable Standard / Region	AWP-20 S (AC or DC)	AWP-25 S (AC or DC)	AWP-30 S (AC or DC)	AWP-30 S (Air)
ANSI/CSA (USA, Asia, South America, Canada)(to SN AWPP-99999)				
Outrigger Storage Bracket Assembly Right side (refer to 314.1)	107427	107427	107427	107427
Outrigger Storage Bracket Assembly Left side (refer to 314.1)	107429	107429	107430	107430
CE (Europe) Indoor (to SN AWPP-99999); For all markets (from SN AWPP-100000)				
Outrigger Storage Bracket Assembly Right side (refer to 314.1)	107427	107427	107428	107428
Outrigger Storage Bracket Assembly Left side (refer to 314.1)	107429	107429	107430	107430
All Markets, Outdoor				
Outrigger Storage Bracket Assembly Right side (refer to 314.1)	107427	107427	107428	107428
Outrigger Storage Bracket Assembly Left side (refer to 314.1)	107429	107429	107430	107430

316.1 Outrigger Storage Bracket Assembly Cross Reference

<i>Item</i>	<i>Part No.</i>	<i>Description</i>	<i>Qty.</i>
1	107425GT	OUTRIGGER STORAGE BRKT ASSY	
2	107426GT	OUTRIGGER STORAGE BRKT ASSY	
3	107427GT	OUTRIGGER STORAGE BRKT,RIGHT	
4	107428GT	OUTRIGGER STORAGE BRKT,LT	
5	107429GT	OUTRIGGER STORAGE BRKT,LEFT	
6	107430GT	OUTRIGGER STORAGE BRKT,LT	



401.1 Battery Pack Assembly, DC Models

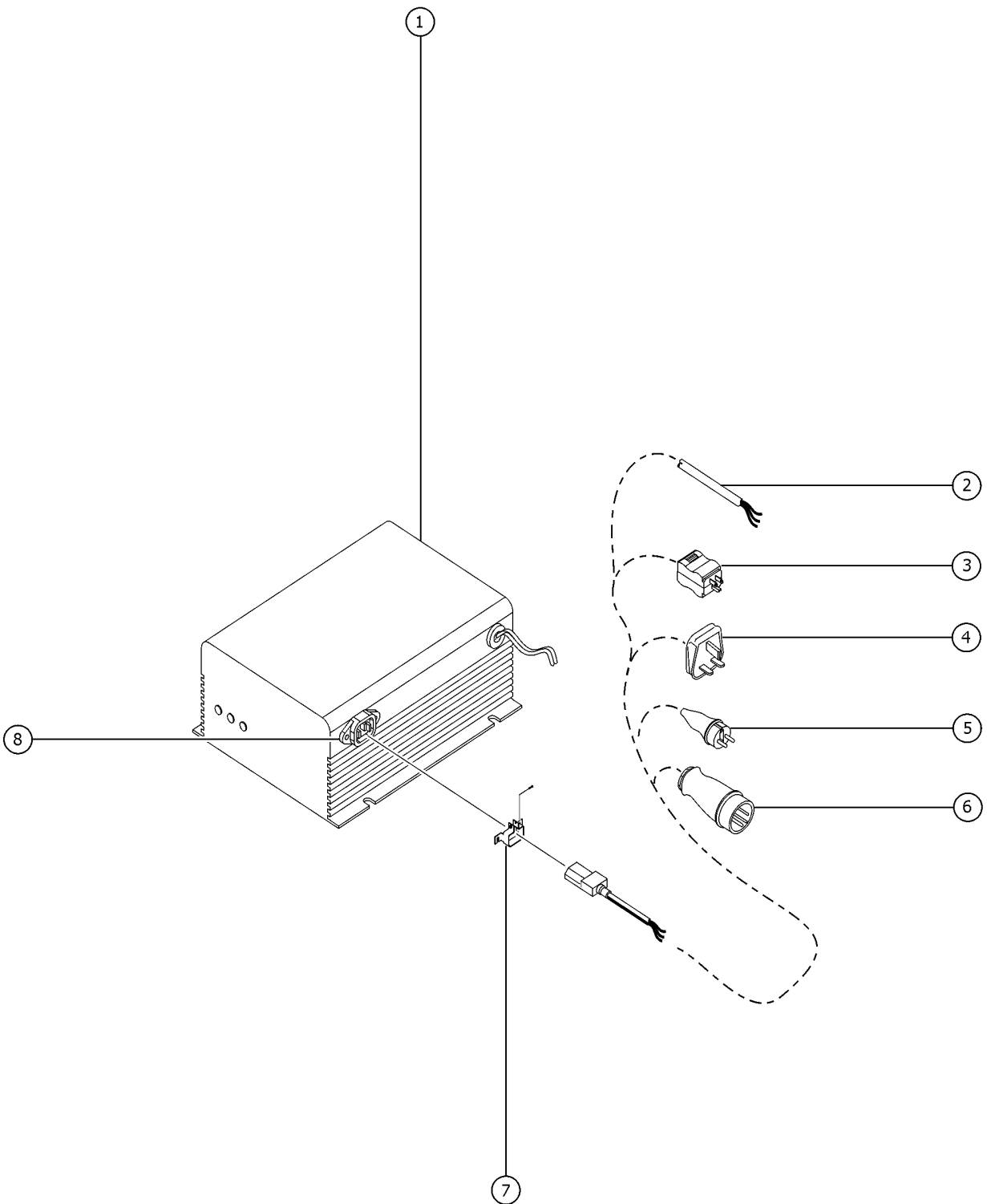


401.1 Battery Pack Assembly, DC Models

Item	Part No.	Description	Qty.
A-	85423GT	BATT.PACK,12VDC/HI-LO*** (Instructions included)	
B-	85424GT	BATT.PACK,N0 BATT,12VDC-HI/LO* order battery separately	
1	28487GT	SCREW,BHHS,3/8-16 X 1	
2	5397GT	WASHER,FLAT,USS,5/16",Y	
3	7713GT	NUT, LP NYLOCK, 3/8-16	
4		Ref. DECAL,DANGER,BATTERY SAFETY (refer to 101.1)	
5	38215GT	BATT.BOX, ASSY W/ DECALS	1
6	6090GT	SCREW,HHC,1/4-20 X .75	
7	6638GT	WASHER,FLAT,USS,1/4"Y	
8	6889GT	NUT,LP NYLOCK,1/4-20	
9	69228GT	CABLE ASSY,BAT PACK/RING-TERM	
9-	96110GT	BOOT,CABLE TERMINAL COVER	
10A	38213GT	CABLE ASSY,ANDRSN,26",15S-30S	1
10B	38214GT	CABLE ASSY,ANDRSN,42",36/40-S (models with tilt-back option)	
11A	40301GT	HOOK,BATTERY BOX W/DECAL,--S-- (USA, Austraila and Canada)	2
11B	33245PGT	PLATE,BATTERY BOX HOOK,PAINTED (Asia, South America and Europe)	
12	18503GT	NUT,LOCKING-LG.FLANGE,5/16-18	
13A	57159GT	BATTERY,12V GRP 27,105 AH, DRY (models with dry battery option)	1
13B	60499GT	BATTERY,12V GRP27TM,105 AH,WET (models with wet battery option)	
14	6145GT	SCREW,HHC,1/4-20 X 1.5	
15	80989-SGT	PLATE,12V CHARGER MOUNT	1
16	6178GT	NUT,NYLOCK,10-32	
17	17626GT	SCREW,FHM,10-32 X .75	
18		Ref. Battery Charger (refer to 402.1)	



402.1 Battery Charger, Worldwide, Signet Model

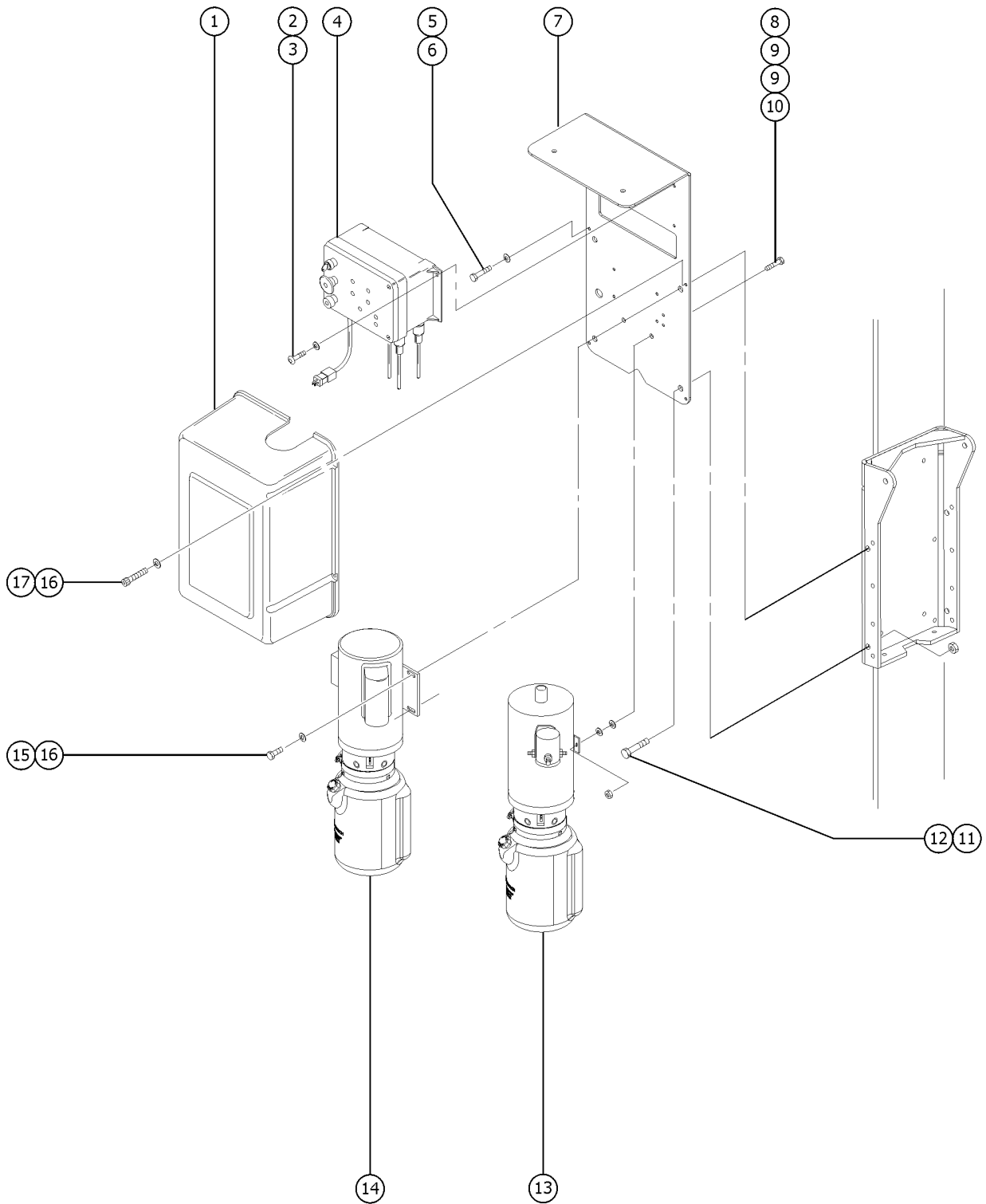


402.1 Battery Charger, Worldwide, Signet Model

Item	Part No.	Description	Qty.
1	80889GT	KIT,CHARGER,AWP/IWP*** (Signet) (cord must be ordered separately; see item 9 below)	
1-	85460GT	MANUAL, SIGNET CHARGER - 80990	
1-	80990GT	CHARGER,12VDC HI/LO, AWP/IWP (power cord not included)	1
1-	97059GT	FUSE,BATTERY CHARGER***	
2	48282GT	POWER CORD, IEC 320 BLANK, 79"	1
3A	55021GT	POWER CORD,US 110, 8"	1
3B	100195GT	POWER CORD,US 110, 79"	
4A	55018GT	POWER CORD,UK-HIGH VOLTAGE, 8"	1
4B	100193GT	POWER CORD,UK-HIGH VOLTAGE, 98"	
5A	55019GT	POWER CORD,NOVON, 8"	1
5B	100194GT	POWER CORD,NOVON, 98"	
6	71706GT	POWER CORD, UK 110, 115" (includes item 2)	1
6-	144161GT	PLUG,PWR,UK,16AMP,3PIN,BLK	
7	55010GT	LOCK, CONNECTOR	1
8	46440GT	CONNECTOR,IEC 320 INLET	1
8-	46441GT	PIN,CONNECTOR,IEC320	
9A	55021GT	POWER CORD,US 110, 8" US models (for 80889) not shown	
9B	71706GT	POWER CORD, UK 110, 115" UK 110V (for 80889) not shown	
9C	55018GT	POWER CORD,UK-HIGH VOLTAGE, 8" UK/AUS 220V (for 80889) not shown	
9D	55019GT	POWER CORD,NOVON, 8" EURO 220V (for 80889) not shown	



403.1 Power Unit Installation, Standard Base, AC and DC Models

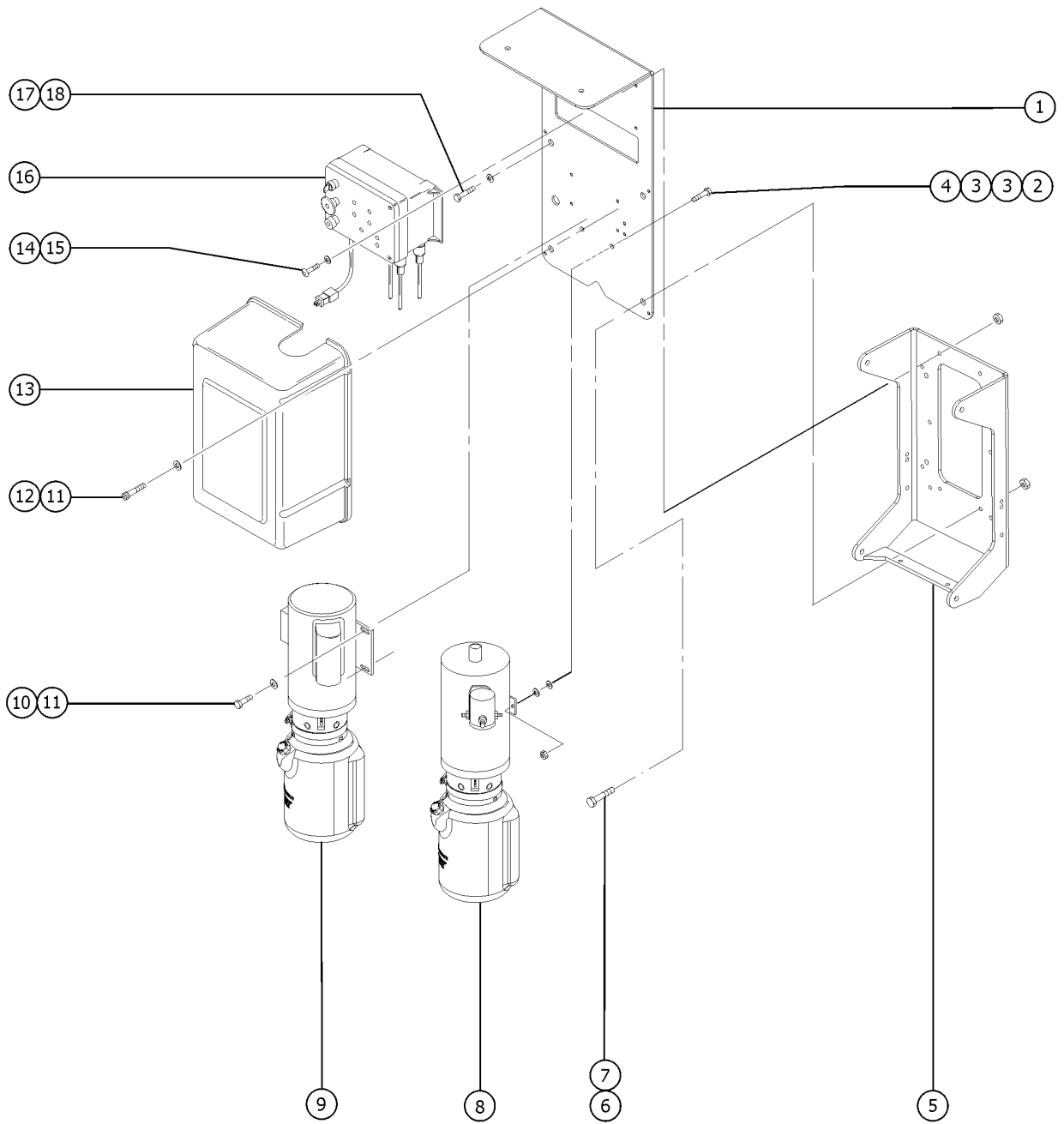


403.1 Power Unit Installation, Standard Base, AC and DC Models

Item	Part No.	Description	Qty.
	107472GT	POWER PACK,110V AC,50/60HZ (includes items 1- 7 and 14-17) (with word decals)(to SN AWPP-99999)	
	107473GT	POWER PACK,85V AC,50/60HZ (includes items 1- 7 and 14-17) (with word decals)(to SN AWPP-99999)	
	107474GT	POWER PACK,220V AC,50/60HZ (includes items 1- 7 and 14-17) (with word decals)(to SN AWPP-99999)	
	107475GT	POWER PACK,12V DC (includes items 1- 7, 13 and 15-17) (with word decals)(to SN AWPP-99999)	
	107476GT	POWER PACK,110V AC,50/60HZ (includes items 1-7 and 14-17) (with symbol decals)	
	107477GT	POWER PACK,85V AC,50/60HZ (includes items 1-7 and 14-17) (with symbol decals)	
	107478GT	POWER PACK,220V AC,50/60HZ (includes items 1-7 and 14-17) (with symbol decals)	
	107479GT	POWER PACK,12V DC (includes items 1-7 and 14-17) (with symbol decals)	
	145135GT	CABLE ASSY,#4 WIRE,10.00"LG fuse-to-power unit	
1A	124649GT	COVER,MOTOR W/WORDS,AWP/IW (USA, Australia, Canada models)(to SN AWPP-99999)	1
1B	124650GT	COVER,MOTOR W/SYMBOL,AWP/IWP (Asia, South America, Europe models)	1
2	12011GT	SCREW,BHHS,1/4-20 X .5,Y/ZINC	
3	6356GT	WASHER,LOCK,.25	
4		Ref. Ground Controls (refer to figure 407.1 or 408.1)	
5	33681GT	SCREW,HHC,3/8-16 X .625	
6	6021GT	WASHER,LOCK,.375	
7	100893GT	FORMING, POWER UNIT MOUNT	1
8	6175GT	SCREW,HHC,3/8-16 X 1	
9	5397GT	WASHER,FLAT,USS,5/16",Y	
10	7713GT	NUT, LP NYLOCK, 3/8-16	
11	10597GT	SCREW,HHC,1/2-13 X 1.25 GR5	
12	6198GT	NUT,NYLOCK,1/2-13	
13		Ref. DC Hydraulic Power Unit (refer to 602.1)	
14		Ref. AC Hydraulic Power Unit (refer to 603.1)	
15	7339GT	SCREW,HHC,1/4-20 X .5	
16	14295GT	WASHER,SHIM,.265 X .5 X .030	
17	40004GT	SCREW,SHC,1/4-20 X .375 BLK	



404.1 Power Unit Installation, Narrow or Rough Terrain Base, AC and DC Models

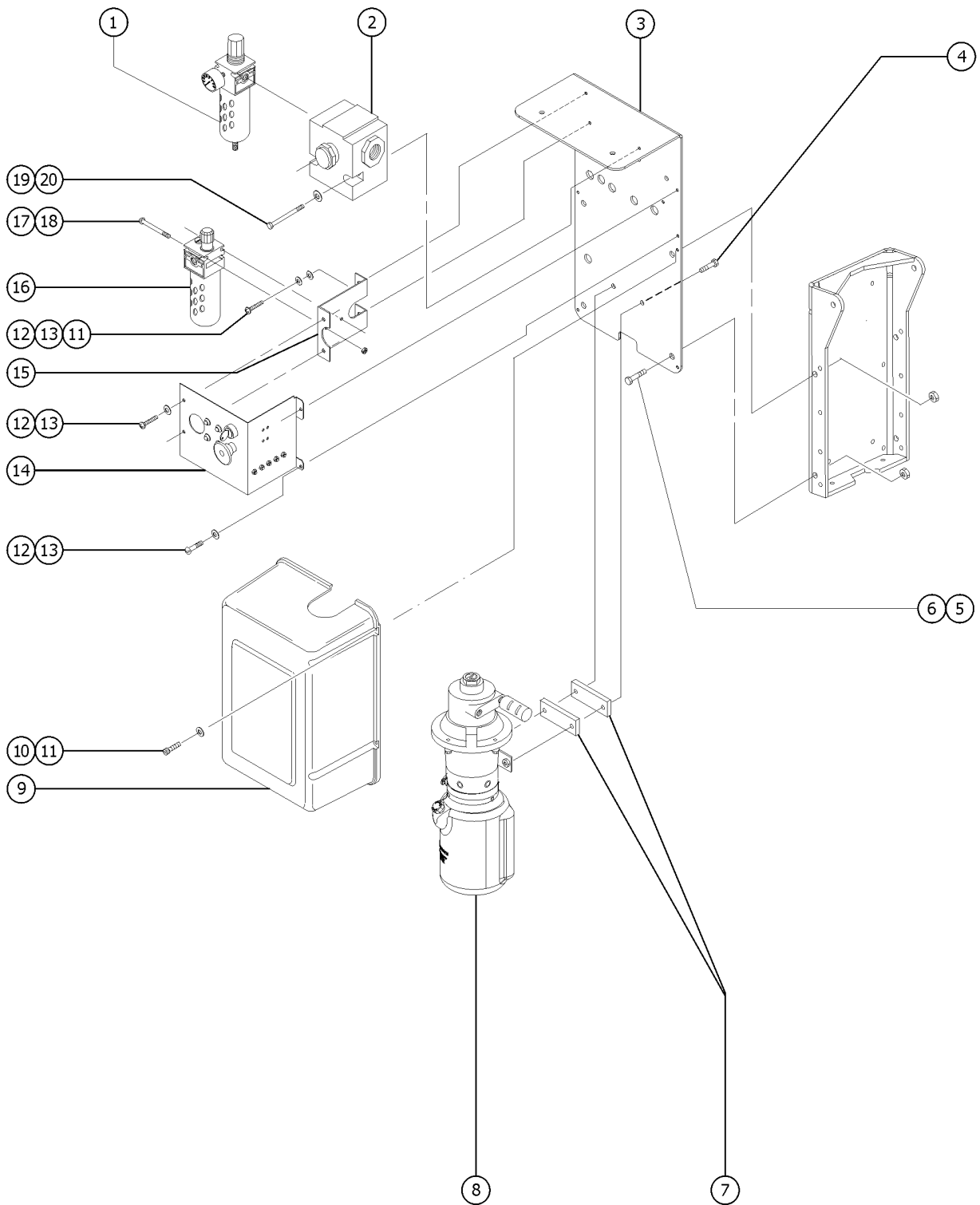


404.1 Power Unit Installation, Narrow or Rough Terrain Base, AC and DC Models

Item	Part No.	Description	Qty.
1	100893GT	FORMING, POWER UNIT MOUNT	1
2	6175GT	SCREW,HHC,3/8-16 X 1	
3	5397GT	WASHER,FLAT,USS,5/16",Y	
4	7713GT	NUT, LP NYLOCK, 3/8-16	
5	124194GT	WELDMENT,NAST MOUNT,NRW	1
6	10597GT	SCREW,HHC,1/2-13 X 1.25 GR5	
7	6198GT	NUT,NYLOCK,1/2-13	
8		Ref. Hydraulic Power Unit - DC	
		(refer to 602.1)	
9		Ref. Hydraulic Power Unit - AC	
		(refer to 603.1)	
10	7339GT	SCREW,HHC,1/4-20 X .5	
11	6638GT	WASHER,FLAT,USS,1/4"Y	
12	40004GT	SCREW,SHC,1/4-20 X .375 BLK	
13A	124649GT	COVER,MOTOR W/WORDS,AWP/IW	1
		(to SN AWPP-99999)	
13B	124650GT	COVER,MOTOR W/SYMBOL,AWP/IWP	
14	43136GT	SCREW,PHM,1/4-20 X .625	
15	6356GT	WASHER,LOCK,.25	
16		Ref. Ground Controls	
		(refer to 407.1 or 408.1)	
17	33681GT	SCREW,HHC,3/8-16 X .625	
18	6021GT	WASHER,LOCK,.375	



405.1 Power Unit Installation, Air Powered Models

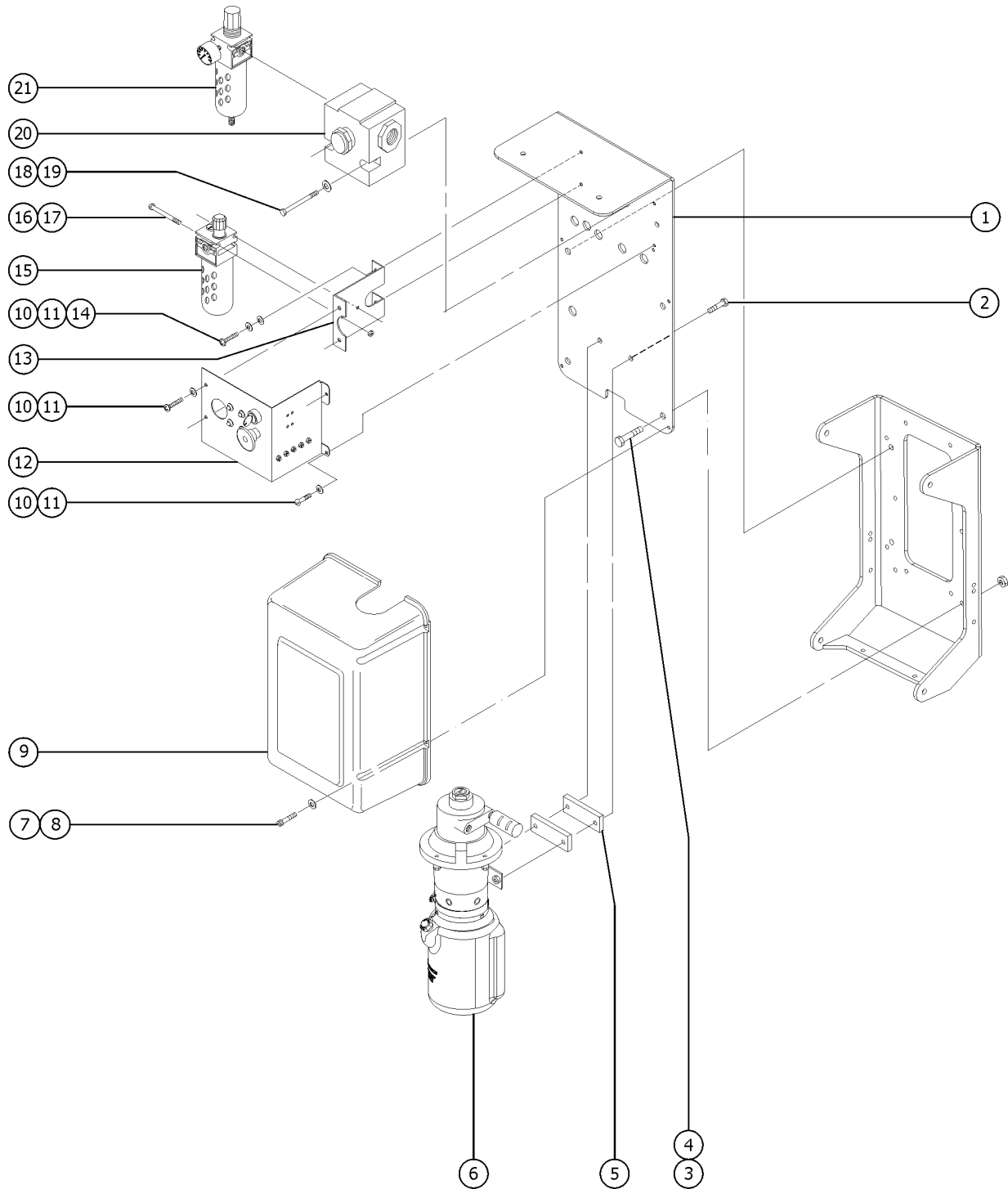


405.1 Power Unit Installation, Air Powered Models

Item	Part No.	Description	Qty.
A-	41193GT	KIT,FILTER,(40323) (includes items 1 and 16)	
B-	41487GT	AIR GAUGE,,12 NPT(41193)	
1	69227GT	FILTER,REGULATOR	1
2	41192GT	VALVE,ON/OFF AIR	1
3	100894GT	FORMING, POWER UNIT MOUNT, AIR (Ground Controls)	
4	10597GT	SCREW,HHC,1/2-13 X 1.25 GR5	
5	51496GT	SCREW,HHC,1/2-13 X 1.375	
6	6198GT	NUT,NYLOCK,1/2-13	
7	41198-SGT	SPACER,AIR MOTOR,"BLUE"	2
8		Ref. Hydraulic Power Unit -Air Powered (refer to 604.1)	
9A	124649GT	COVER,MOTOR W/WORDS,AWP/IW (to SN AWPP-99999)	1
9B	124650GT	COVER,MOTOR W/SYMBOL,AWP/IWP	
10	40004GT	SCREW,SHC,1/4-20 X .375 BLK	
11	6638GT	WASHER,FLAT,USS,1/4"Y	
12	38979GT	SCREW,PHM,1/4-20X.5 PHIL	
13	6356GT	WASHER,LOCK,,.25	
14		Ref. Ground Controls Panel with Decal (refer to 409.1)	
15	41038-SGT	BRACKET,OILER,"BLUE"	1
16	41534GT	LUBRICATOR, SUPER SERIES	1
17	41488GT	SCREW,PHILLIPS,RHM,10-32 X 2	
18	6178GT	NUT,NYLOCK,10-32	
19	41489GT	SCREW,SHC,5/16-18 X 2,PLATED	
20	6886GT	WASHER,LOCK,,.313	



406.1 Power Pack Installation, Narrow or Rough Terrain Base, Air Powered Models Option

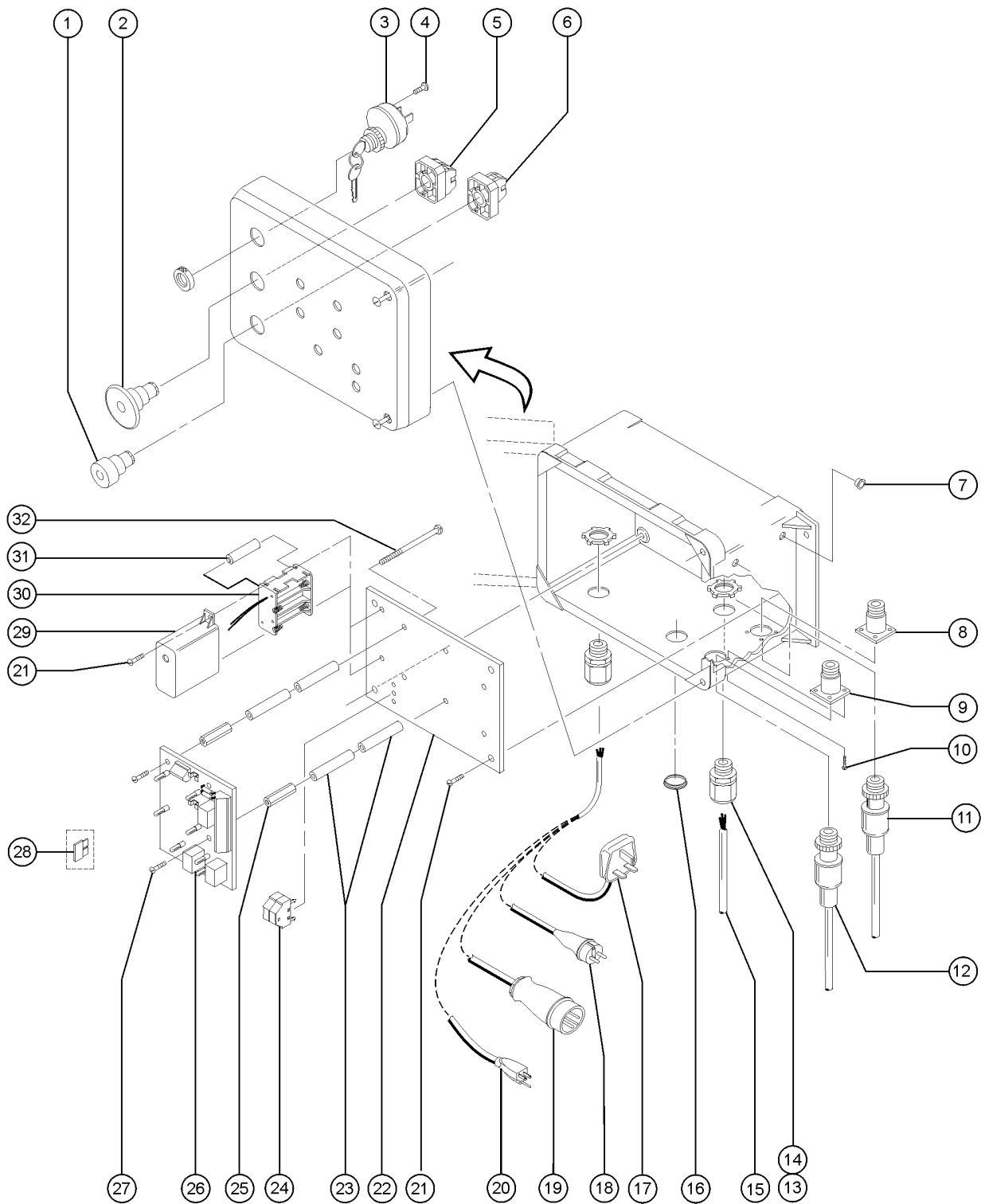


406.1 Power Pack Installation, Narrow or Rough Terrain Base, Air Powered Models Option

Item	Part No.	Description	Qty.
A-	41193GT	KIT,FILTER,(40323) (includes items 21 and 27)	
B-	41487GT	AIR GAUGE,.12 NPT(41193)	
1	100894GT	FORMING, POWER UNIT MOUNT, AIR	1
2	33681GT	SCREW,HHC,3/8-16 X .625	
3	51496GT	SCREW,HHC,1/2-13 X 1.375	
4	6198GT	NUT,NYLOCK,1/2-13	
5	41198-SGT	SPACER,AIR MOTOR,"BLUE"	2
6		Ref. Hydraulic Power Unit -Air Powered (refer to 604.1)	
7	40004GT	SCREW,SHC,1/4-20 X .375 BLK	
8	14295GT	WASHER,SHIM,.265 X .5 X .030	4
9A	124649GT	COVER,MOTOR W/WORDS,AWP/IW (to SN AWPP-99999)	1
9B	124650GT	COVER,MOTOR W/SYMBOL,AWP/IWP	
10	38979GT	SCREW,PHM,1/4-20X.5 PHIL	
11	6356GT	WASHER,LOCK,.25	
12		Ref. Ground Controls Panel with Decal (refer to 409.1)	
13	41038-SGT	BRACKET,OILER,"BLUE"	1
14	6638GT	WASHER,FLAT,USS,1/4"Y	4
15	41534GT	LUBRICATOR, SUPER SERIES	1
16	41488GT	SCREW,PHILLIPS,RHM,10-32 X 2	2
17	6178GT	NUT,NYLOCK,10-32	2
18	41489GT	SCREW,SHC,5/16-18 X 2,PLATED	2
19	6886GT	WASHER,LOCK,.313	2
20	41192GT	VALVE,ON/OFF AIR	1
21	69227GT	FILTER,REGULATOR	1



407.1 Ground Controls, DC Models

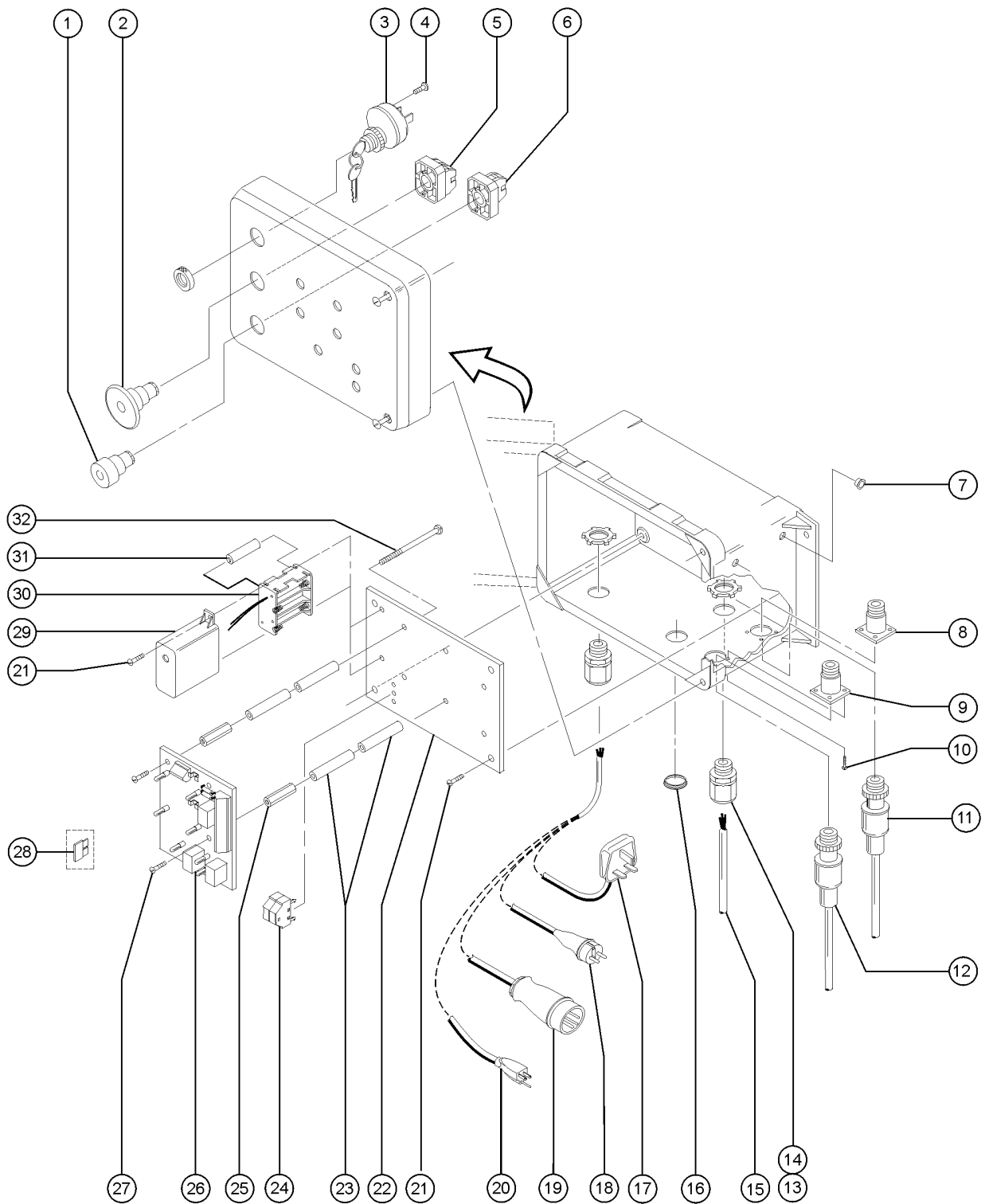


407.1 Ground Controls, DC Models

Item	Part No.	Description	Qty.
A-	85276GT	GROUND CNTRL.BOX ASSY 12VDC***	
B-	107167GT	GROUND CNTRL BOX ASSEMBLY,DC** (housing only) (includes item 23)	
1	80076GT	BUTTON,PUSH,BLACK W/SEAL	1
2	66812GT	BUTTON,PUSH,RED MUSHROOM HEAD	1
3	96008-SGT	KEYSWITCH,3 POS. W/KEYS*** (includes item 4) (includes 1 pair of keys)	1
3	96009GT	WASHER,NITRILE	
3-	83093GT	KEY SINGLE***	
3-	37947GT	KEYS,10 PACK***	
4	96010GT	SCREW,PHILLIPS,PHM,8-32 X.25**	
5	66817GT	BASE WITH 1 NC CONTACT, E-STOP (includes 1 each N.C. contact)	1
5-	66818GT	CONTACT,NC	
6	66815GT	BASE, W/1 N.O. CONTACTS*** (includes 1 each N.O. contact)	1
6-	66816GT	CONTACT,N.O	
7	21858GT	PLUG,NYLON .38 BLACK DOMED	2
8	38217GT	HARNESS,WIRE-CONTROL. S SERIES	1
9	38216GT	HARNESS,WIRE-INTRLOCK.S SERIES	1
10	10153GT	SCREW,PHIL,PHM,6-32X.38,SF.TAP	8
11		Ref. Power Cable Assembly, Ground Controls to Platform (refer to 411.1 or 412.1)	
12		Ref. Power Cable Assembly, Ground Controls to Base (refer to 411.1 or 412.1)	
13	7056GT	CONN, SQZ, 1/2NPT .38-.50, SM**	2
14	6935GT	LOCKNUT,ELEC,1/2"	2
15	124645GT	CABLE ASY,AWP.GCBOX TO MOTOR	1
16	33605GT	PLUG,NYLON .812 BLACK DOMED	1
17	25388GT	PLUG,FUSED,250V,13AMP,U.K.**	1
17-		Ref., FUSE,13 AMP,220V PLUG (B51362 BUSS TDC180-13A) (source from local suppliers)	
18	1280665GT	PLUG, TYPE F, 230A, 50HZ, 16A, IP44	1
19	144161GT	PLUG,PWR,UK,16AMP,3PIN,BLK	
20	124646GT	CABLE ASY,A/IWP/DPL,PWR INPUT	1



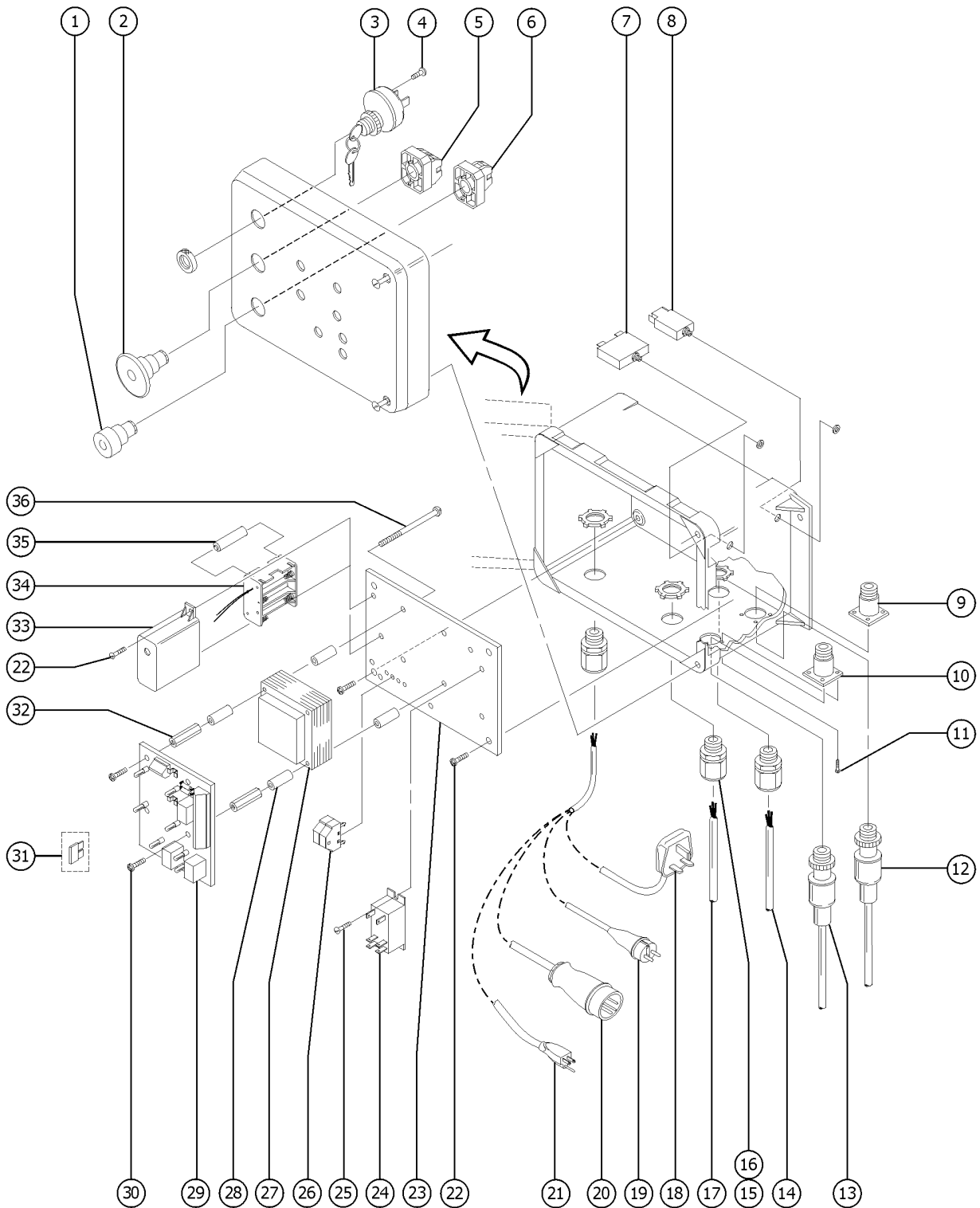
407.1 Ground Controls, DC Models



<i>Item</i>	<i>Part No.</i>	<i>Description</i>	<i>Qty.</i>
21	31182GT	SCREW,PHIL,PHM,10-32 X.38,SEMS	
22	37704GT	PLATE,PANEL,AWP95	1
23	69847GT	SPACER, TRANSFORMER**	8
24A	80707GT	TERMINAL, 4 CONDUCTOR	1
24B	80706GT	TERMINAL, 2 CONDUCTOR	
24C	80705GT	TERMINAL, END PLATE	
25	33585GT	NUT,COUPLER,10-24 X .75	4
26	1257696GT	PCB,ASSY,AWP/IWP/DPL/CWP	1
		(includes item 28)	
27	21018GT	SCREW,PHIL,PHM,10-24 X.38,SEMS	
28	80711GT	FUSE,7.5 AMP,ATC	1
29	145342GT	ASSY,BATT HOLDER W/COVER,AWP	1
		includes battery holder (item 31)	
30	38017GT	BATTERY HOLDER	1
31A	38018GT	BATTERY,AA,1.5V	8
31B	145047GT	BATTERY,AA,1.5V,CE	8
		will also work for ANSI	
32	33587GT	SCREW,RHM,10-24 X 3**	



408.1 Ground Controls, AC Models

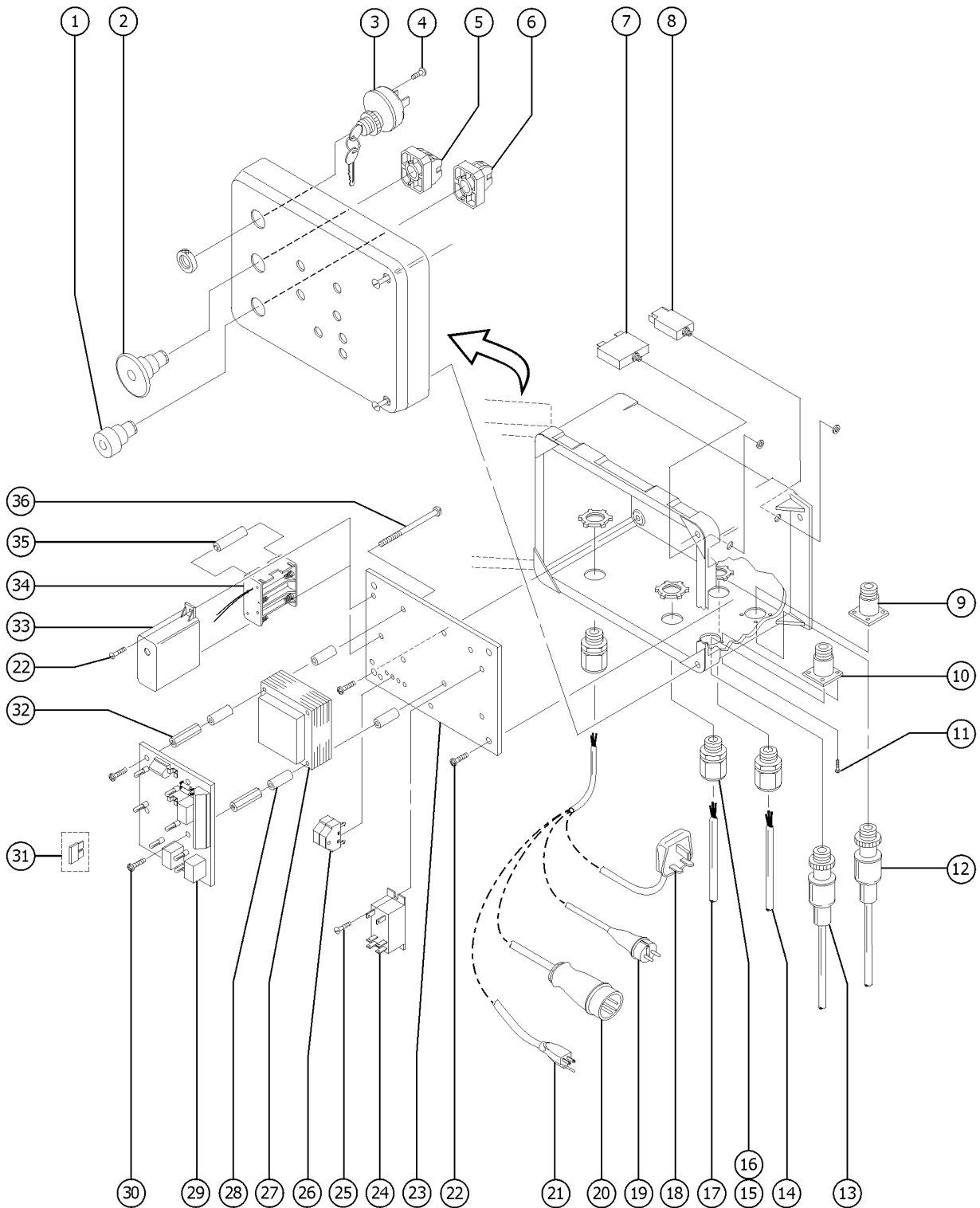


408.1 Ground Controls, AC Models

Item	Part No.	Description	Qty.
A-	115149GT	GROUND CNTRL BOX ASSY,110 AC**	
B-	115150GT	GROUND CNTRL BOX ASSY,85V AC** (Japanese models)	
C-	115151GT	GROUND CNTRL BOX ASSY 220VAC	
D-	85473GT	GROUND CNTRL BOX W/DECALS,AC**	
1	80076GT	BUTTON,PUSH,BLACK W/SEAL	1
2	66812GT	BUTTON,PUSH,RED MUSHROOM HEAD	1
3	124121GT	KEYSWITCH,3 POS.W/KEYS & BASE (includes item 4) (includes 1 pair of keys)	1
3-	83093GT	KEY SINGLE***	
3-	37947GT	KEYS,10 PACK***	
4	96010GT	SCREW,PHILLIPS,PHM,8-32 X.25**	
5	66817GT	BASE WITH 1 NC CONTACT, E-STOP (includes 1 each N.C. contact)	1
5-	66818GT	CONTACT,NC	
6	66815GT	BASE, W/1 N.O. CONTACTS*** includes 1 each N.O. contact)	1
6-	66816GT	CONTACT,N.O	
7A	124128GT	CIRCUIT BREAKER,6A	1
7B	124127GT	CIRCUIT BREAKER,3A	1
8A	1277226GT	ASSEMBLY,CIRCUIT BREAKER,15AMP	
8B	124133GT	CIRCUIT BREAKER,8A SP	1
9	38217GT	HARNESS,WIRE-CONTROL. S SERIES	1
9-	33578GT	CONNECTOR,MALE,PANEL MOUNT*	
10	38216GT	HARNESS,WIRE-INTRLOCK.S SERIES	1
10-	33581GT	CONNECTOR,FEMALE,PANEL MOUNT*	
11	10153GT	SCREW,PHIL,PHM,6-32X.38,SF.TAP	
12		Ref. Power Cable Assembly, Ground Controls to Platform (refer to 411.1or 412.1)	
13		Ref. Power Cable Assembly, Ground Controls to Base (refer to 411.1or 412.1)	
14	43956GT	WIRE CABLE,14/3 CON.TPE JKT*	26
15	7056GT	CONN, SQZ, 1/2NPT .38-.50, SM**	3
16	6935GT	LOCKNUT,ELEC,1/2"	3



408.1 Ground Controls, AC Models

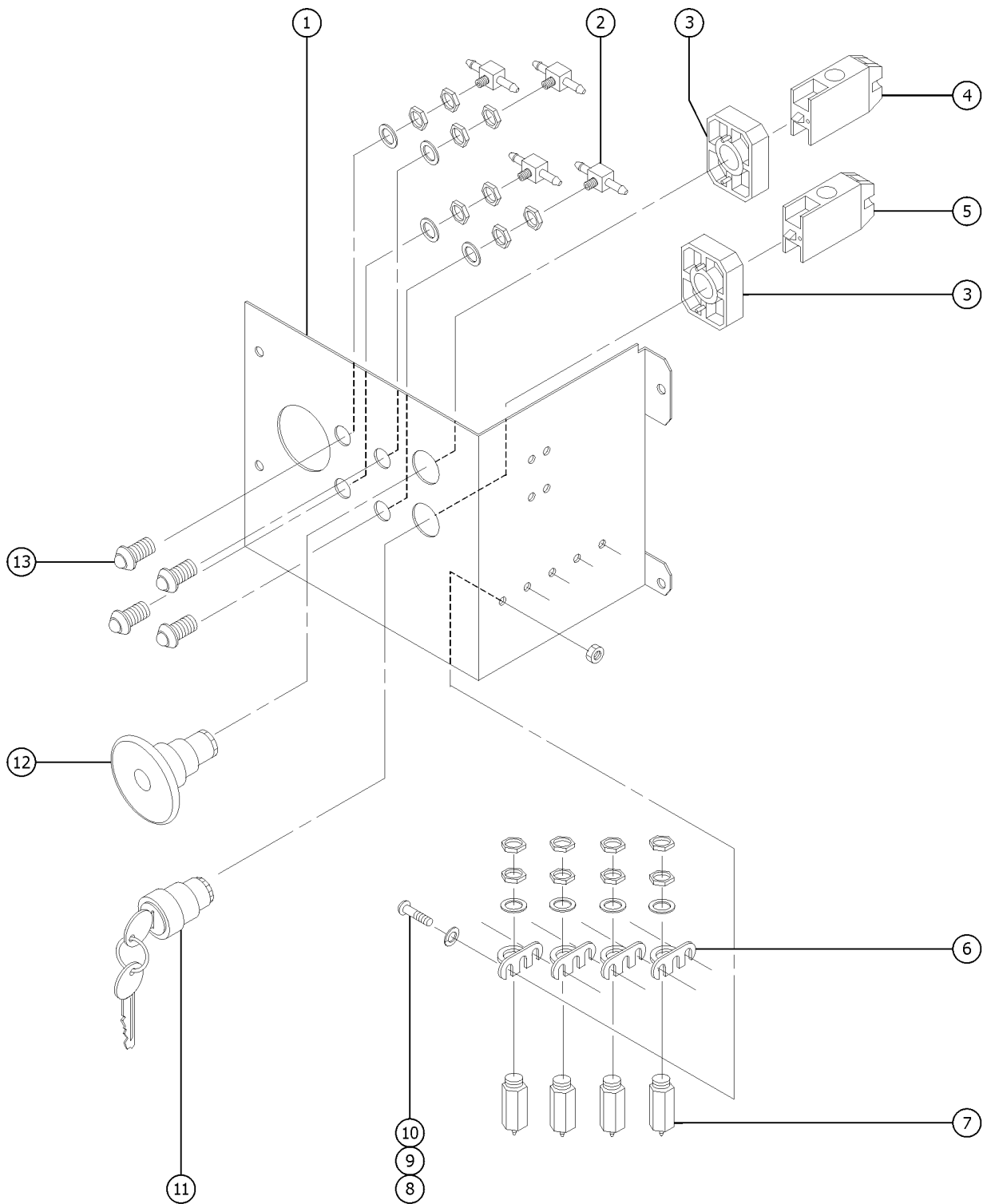


408.1 Ground Controls, AC Models

Item	Part No.	Description	Qty.
17	43956GT	WIRE CABLE,14/3 CON.TPE JKT*	29
18	46608GT	POWER CORD-CONT. BOX UK 220V	1
19	46609GT	POWER CORD-CONT. BOX EURO 220V	1
20	46610GT	POWER CORD-CONT. BOX UK 110V	1
21	35846GT	PIGTAIL,ASSY,AC/DC SJO 14/3**	1
22	31182GT	SCREW,PHIL,PHM,10-32 X.38,SEMS	
23	37704GT	PLATE,PANEL,AWP95	1
24	33584GT	RELAY,MOTOR CONTACTOR	1
25	20342GT	#6 SQ.DR.SELF DRILL/TAP SCREW	
26A	80707GT	TERMINAL, 4 CONDUCTOR	5
26B	80706GT	TERMINAL, 2 CONDUCTOR	1
26C	80705GT	TERMINAL, END PLATE	1
27A	33586GT	TRANSFORMER (S-SERIES)****	1
27B	69623GT	TRANSFORMER, 85V TO 105V, JA (Japanese models)	
28	69846GT	SPACER, TRANSFORMER, AC	8
29	1257696GT	PCB,ASSY,AWP/IWP/DPL/CWP	1
		(includes item 31)	
30	21018GT	SCREW,PHIL,PHM,10-24 X.38,SEMS	
31	80711GT	FUSE,7.5 AMP,ATC	1
32	33585GT	NUT,COUPLER,10-24 X .75	4
33	145342GT	ASSY,BATT HOLDER W/COVER,AWP	1
		includes battery holder	
34		BATTERY HOLDER	1
35A	38018GT	BATTERY,AA,1.5V	8
35B	145047GT	BATTERY,AA,1.5V,CE	8
		will also work for ANSI	
36	69845GT	SCREW,RHM 10-24 X 2.75**	



409.1 Ground Controls, Air Powered Models

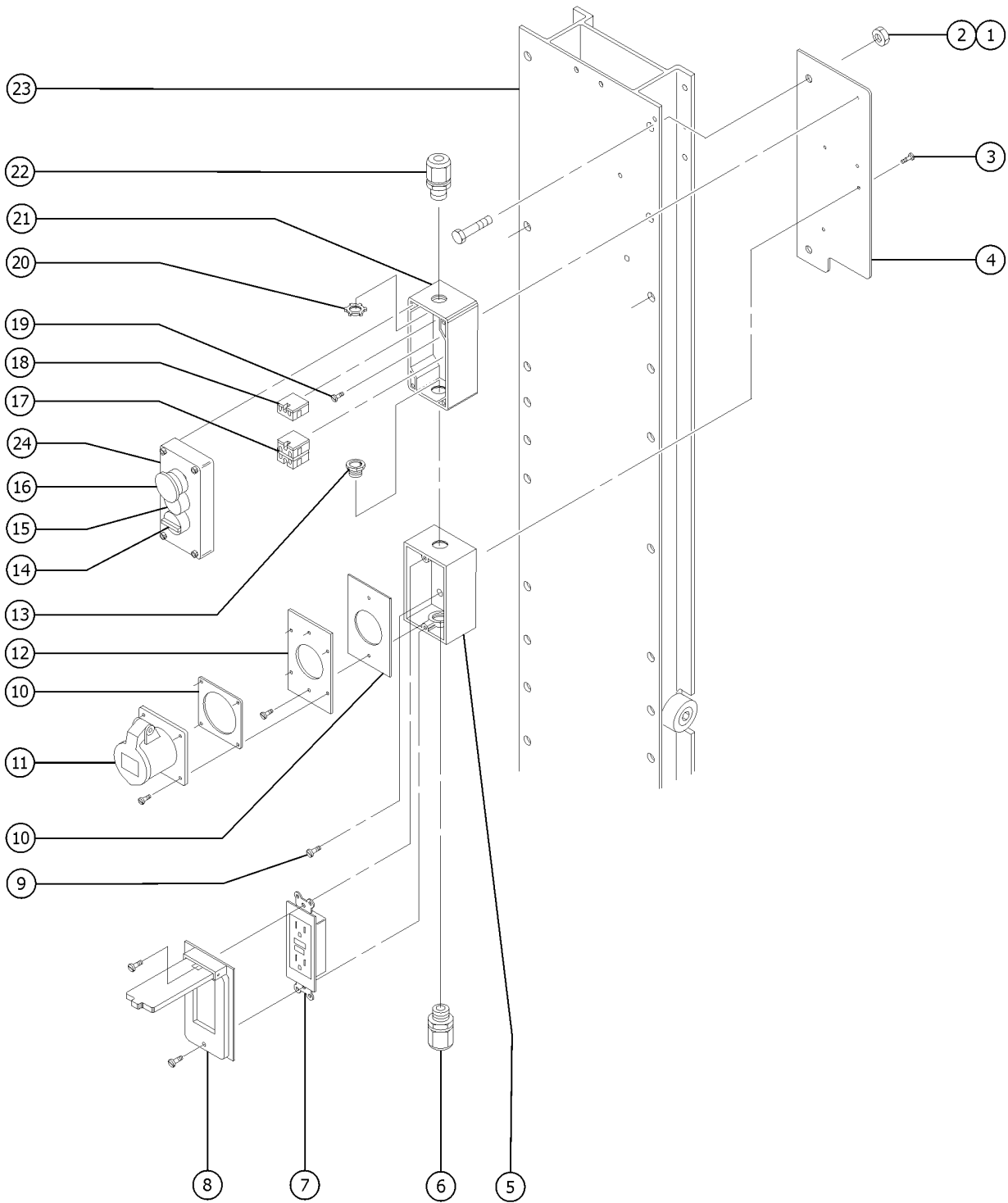


409.1 Ground Controls, Air Powered Models

Item	Part No.	Description	Qty.
1A	41957GT	PANEL,AIR CONTROL,WORD,STD	1
1B	T107374GT	PANEL,AIR CONTRL,WRD,NRW	
1C	107383GT	PANEL,AIR CONTROL,SYM,STD	
1D	T107371GT	PANEL,AIR CONTRL;SYM,NRW	
2	41479GT	TEE,BRANCH,1/16 BARB X 10/32	4
		(includes mounting fasteners)	
3		REF; BASE, CONTACT	2
		(Refer to item numbes 11 or 12)	
4		REF; CONTACT, N.C.	1
		(Refer to item 12)	
5		REF; CONTACT, N.O.	1
		(Refer to item 11)	
6	41521GT	BRACKET,VALVE MOUNT	4
7	40970GT	VALVE,2 POSITION 3 WAY	4
		(includes mounting fasteners)	
8	49816GT	SCREW,PHILLIPS,PHM,10-32 X .75	5
9	6607GT	WASHER,LOCK,#10 PLTD	2
10	14392GT	NUT,LP NYLOCK,10-32	4
11	58462GT	KEYSWITCH,2POS.MNTND W/BASE**	
11-	124628GT	CONTACT NO PXBB3921	
11-	21982GT	KEY,SINGLE***	
11-	37947GT	KEYS,10 PACK***	
12	66812GT	BUTTON,PUSH,RED MUSHROOM HEAD	
12-	66821GT	BASE,WITHOUT CONTACTS	4
12-	124629GT	CONTACT NC PXBB3311	
13	40973GT	INDICATOR,OUTRIGGER	
		(includes mounting fasteners)	



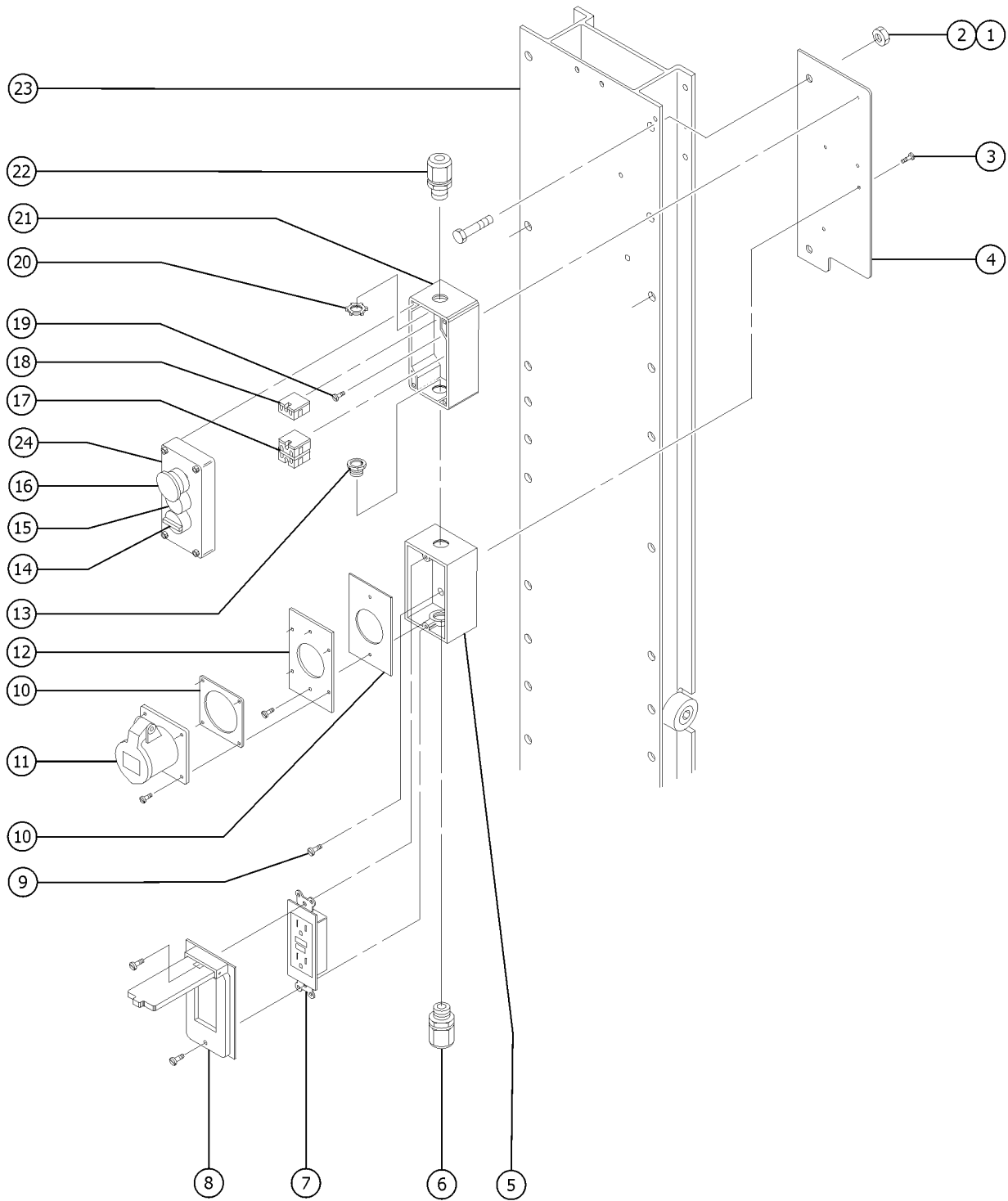
410.1 Platform Controls



Item	Part No.	Description	Qty.
1	7713GT	NUT, LP NYLOCK, 3/8-16	
2	8255GT	SCREW,HHC,3/8-16 X .75	
3	57075GT	SCREW,PHIL,8-32X.50,SELF TAP	
4A	43141GT	PLATE,PLATFORM CONTROLS	2
		(6" x 3.25")	
4B	41546GT	PLATE,CONTROLS MOUNTING	2
		(11.7" X 4.7") CE models only.	
5	10775GT	T-BOX,2.75 X 4.5 X 2.0	1
6	7057GT	CONN. SQZ,1/2NPT .39-.56 MED.	1
7	13585GT	OUTLET, 110V	1
8A	45437GT	COVER,GFCI,WEATHERPROOF	1
		(includes gasket and mounting fasteners)	
8B	10777GT	COVER,BLANK	
		(includes gasket and mounting fasteners)	
9	21018GT	SCREW,PHIL,PHM,10-24 X.38,SEMS	
10A	33724GT	KIT,GASKET,UK POWER TO PLAT.	1
		(CE Models) (includes one each p/n 66355 and 66356)	
10B	66355GT	GASKET, UK & DIN PWR. TO PLAT	
		4.6 x 2.9 inches	
10C	66356GT	GASKET, UK RECEPTACLE	
		2.9 x 2.9 inches	
11	T112563GT	SVC KIT,UK RECEPT.REPLACEMENT	1
		(CE Models)	
12	T112561GT	PLATE,UK,POWER TO PLAT	
		(CE Models)	
13	80712GT	NIPPLE,1/2" CONDUIT	1
14	80716GT	SWITCH,SELECTOR,BLACK	1
14-	80714GT	CONTACTOR BLOCK,N.O.	2
15	80076GT	BUTTON,PUSH,BLACK W/SEAL	1
15-	80714GT	CONTACTOR BLOCK,N.O.	1
16	80713GT	BUTTON,STOP,RED	1
		(for push/twist to release E-stop)	
16	66812GT	BUTTON,PUSH,RED MUSHROOM HEAD	
		(for push/pull to release E-stop)	
16-	80715GT	CONTACTOR BLOCK,N.C.	
17	80714GT	CONTACTOR BLOCK,N.O.	2
18	80715GT	CONTACTOR BLOCK,N.C.	1
19	230000GT	SCREW,FILLISTER PHIL,10-32X.50	
20	6935GT	LOCKNUT,ELEC,1/2"	2



410.1 Platform Controls

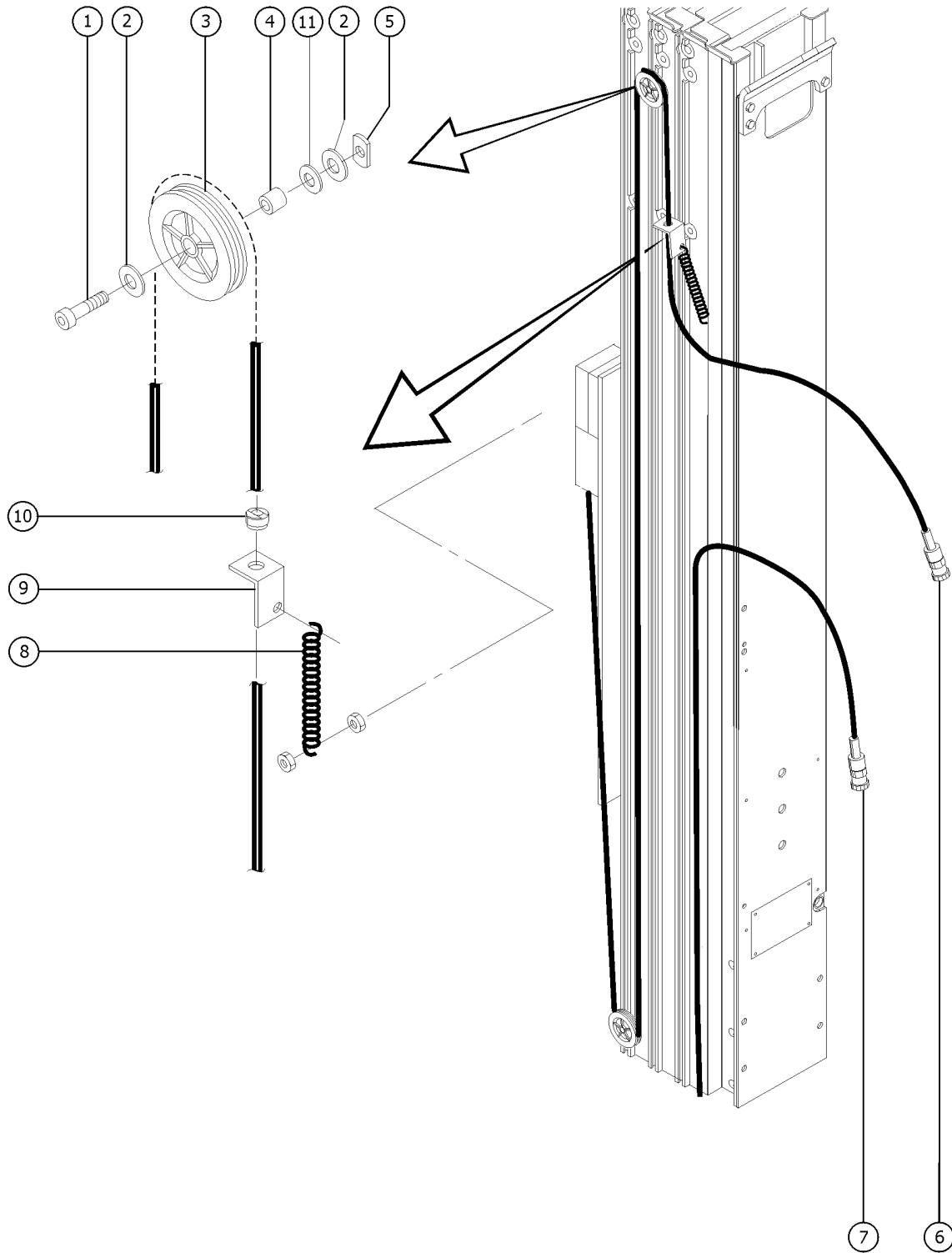


410.1 Platform Controls

<i>Item</i>	<i>Part No.</i>	<i>Description</i>	<i>Qty.</i>
21A	100256GT	CONTROL BOX,THREE BUTTON	1
21B	80071GT	CONTROL BOX, ONE BUTTON, CE	
21C	80072GT	CONTROL BOX, TWO BUTTON, CE	
22	7056GT	CONN, SQZ, 1/2NPT .38-.50, SM**	1
23		Ref. Carriage Assembly	
		(refer to 305.1)	
24A	100256GT	CONTROL BOX,THREE BUTTON	
		(complete, includes items 14-16)	
24B	82802GT	DECAL,LABEL,FUNCTION ENABLE	1
		(refer to 101.1)	



411.1 Control Cable Assembly, AWP-20S, AWP-30S and AWP-40S, AC and DC Models

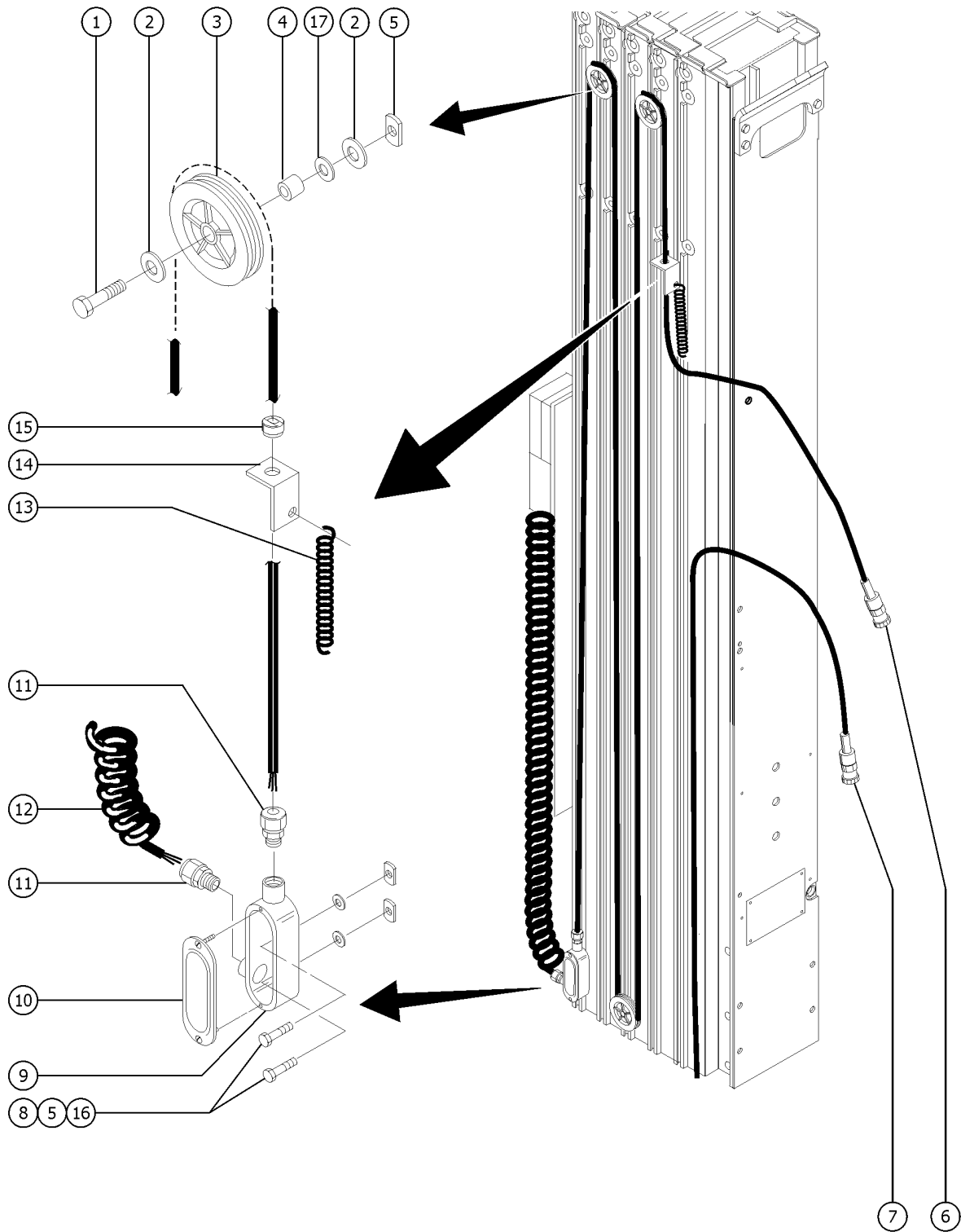


411.1 Control Cable Assembly, AWP-20S, AWP-30S and AWP-40S, AC and DC Models

Item	Part No.	Description	Qty.
1	8915GT	SCREW,HHC,1/4-20 X 1.25	
2	25926GT	WASHER,FLAT,M6 PLTD.	
3A	23394GT	PULLEY,ELEC.CNTRL.CABLE,AWP (AWP-20S)	4
3B	23394GT	PULLEY,ELEC.CNTRL.CABLE,AWP (AWP-30S and AWP-40S)	6
4A	40735GT	SPACER, 1/4ID3/8OD, .875LG (AWP-20S)	4
4B	40735GT	SPACER, 1/4ID3/8OD, .875LG (AWP-30S and AWP-40S)	6
5	35991GT	NUT,WELD 1/4-20, PLATED L.L.**	
6A	35049GT	POWER CABLE,MAST TO PLAT (AWP-20S)	1
6A-	33590GT	PLUG,CONNECTOR,FEMALE* requires part number 33591; order separately	
6A-	33591GT	SEAL,CABLE CONNECTOR,HT SHRINK includes heat shrink tubing	
6A-	83095GT	PIN CONNECTOR,MALE	
6B	41227GT	POWER CABLE,MAST/PLAT (AWP-30S)	
6B-	33590GT	PLUG,CONNECTOR,FEMALE* requires part number 33591; order separately	
6B-	33591GT	SEAL,CABLE CONNECTOR,HT SHRINK includes heat shrink tubing	
6B-	83095GT	PIN CONNECTOR,MALE	
6C	38210GT	POWER CABLE,MAST/PLAT,AWP40-S (AWP-40S)	
6C-	33590GT	PLUG,CONNECTOR,FEMALE* requires part number 33591; order separately	
6C-	33591GT	SEAL,CABLE CONNECTOR,HT SHRINK includes heat shrink tubing	
6C-	83095GT	PIN CONNECTOR,MALE	
7	46078GT	HARNESS,CONTROL BOX/BASE IWP	1
7-	33589GT	PLUG,CONNECTOR,MALE* requires part number 33591; order separately	
7-	33591GT	SEAL,CABLE CONNECTOR,HT SHRINK includes heat shrink tubing	
7-	33580GT	PIN CONNECTOR,FEMALE ***	
8	23396GT	SPRING,CONTROL CABLE, AWP	1
9	23787-SGT	BRACKET,CONTROL CABLE TENSION	1
10	23788GT	BUSHING,STRAIN RELIEF, 53/64"	1
11	22699GT	WASHER,FLAT,M10,ZINC PLTD.	1



412.1 Control Cable Assembly, AWP-25S and AWP-36S, AC and DC Models

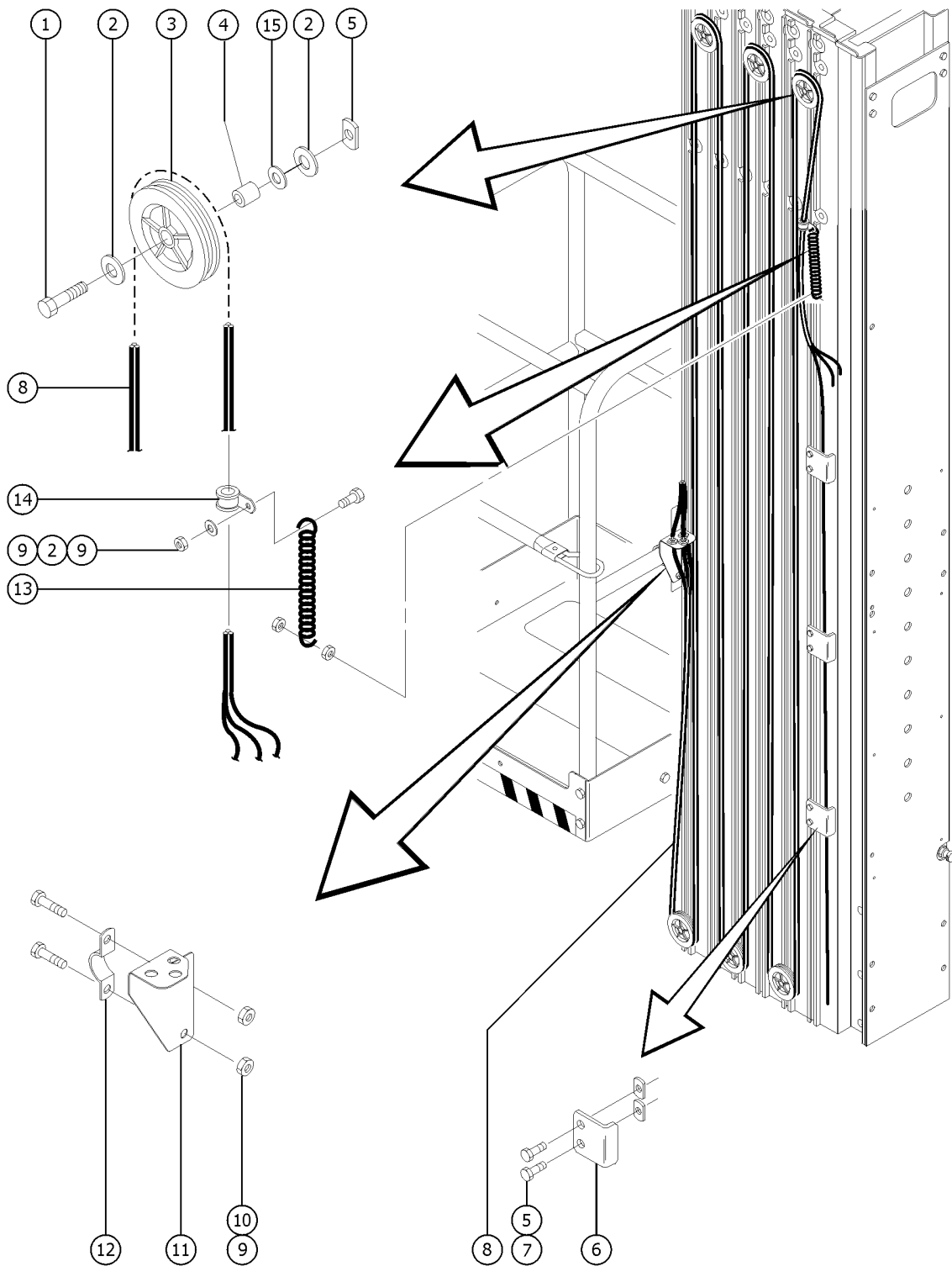


412.1 Control Cable Assembly, AWP-25S and AWP-36S, AC and DC Models

Item	Part No.	Description	Qty.
1	8915GT	SCREW,HHC,1/4-20 X 1.25	
2	25926GT	WASHER,FLAT,M6 PLTD.	
3	23394GT	PULLEY,ELEC.CNTRL.CABLE,AWP (AWP-25S and AWP-36S)	3
4	40735GT	SPACER, 1/4ID3/8OD, .875LG (AWP-25S and AWP-36S)	3
5	35991GT	NUT,WELD 1/4-20, PLATED L.L.**	
6A	38207GT	POWER CABLE,MAST TO PLAT,25-S (AWP-25S)	1
6A-	33590GT	PLUG,CONNECTOR,FEMALE* requires part number 33591; order separately	
6A-	33591GT	SEAL,CABLE CONNECTOR,HT SHRINK includes heat shrink tubing	
6A-	83095GT	PIN CONNECTOR,MALE	
6B	35049GT	POWER CABLE,MAST TO PLAT (AWP-36S)	
6B-	33590GT	PLUG,CONNECTOR,FEMALE* requires part number 33591; order separately	
6B-	33591GT	SEAL,CABLE CONNECTOR,HT SHRINK includes heat shrink tubing	
6B-	83095GT	PIN CONNECTOR,MALE	
7	46078GT	HARNESS,CONTROL BOX/BASE IWP 1	
7-	33589GT	PLUG,CONNECTOR,MALE* requires part number 33591; order separately	
7-	33591GT	SEAL,CABLE CONNECTOR,HT SHRINK includes heat shrink tubing	
7-	33580GT	PIN CONNECTOR,FEMALE ***	
8	7339GT	SCREW,HHC,1/4-20 X .5	
9	40285GT	OUTLET BOX,OVAL,DRILLED (LL19) 1	
10	6633GT	OUTLET BOX CAP 1	
11	7057GT	CONN. SQZ,1/2NPT .39-.56 MED. 2	
12A	12560GT	COIL CORD,16/6,24"COIL (AWP-25S)	1
12B	12560GT	COIL CORD,16/6,24"COIL (AWP-36S)	
13	23396GT	SPRING,CONTROL CABLE, AWP 1	
14	23787-SGT	BRACKET,CONTROL CABLE TENSION 1	
15	23788GT	BUSHING,STRAIN RELIEF, 53/64" 1	
16	6638GT	WASHER,FLAT,USS,1/4"Y	
17	22699GT	WASHER,FLAT,M10,ZINC PLTD. 1	



413.1 Control Hose Assemblies, Air Powered Models

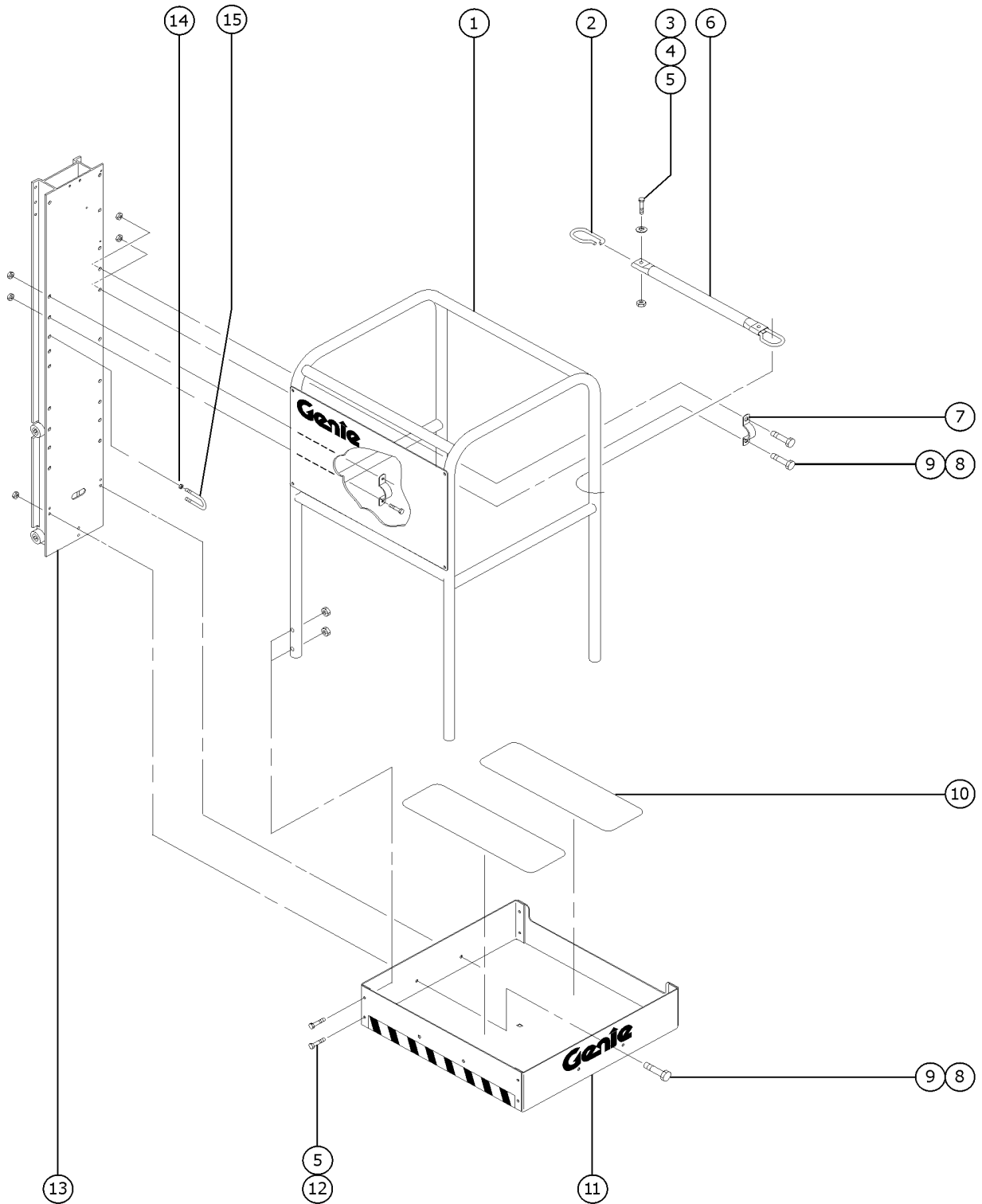


413.1 Control Hose Assemblies, Air Powered Models

Item	Part No.	Description	Qty.
1	8915GT	SCREW,HHC,1/4-20 X 1.25 (AWP-30S)	6
2	25926GT	WASHER,FLAT,M6 PLTD. (AWP-30S)	13
3	23394GT	PULLEY,ELEC.CNTRL.CABLE,AWP (AWP-30S)	6
4	40735GT	SPACER, 1/4ID3/8OD, .875LG (AWP-30S and 40S)	6
5A	35991GT	NUT,WELD 1/4-20, PLATED L.L.** (AWP-30S)	12
5B	35991GT	NUT,WELD 1/4-20, PLATED L.L.** (AWP-40S)	6
6	37691GT	FORMING, CABLE/HOSE, ZINC (AWP-30S)	3
7	7339GT	SCREW,HHC,1/4-20 X .5 (AWP-30S)	6
8A	41949GT	HOSE CONTROL,AWP-30S,STD,AIR	
8B	41955GT	HOSE CONTRL,AWP-30S,NRW/RT,AIR (Models with Narrow or Rough Terrain Base)	
9	4828GT	NUT,NYLOCK,3/8-16	2
10	6175GT	SCREW,HHC,3/8-16 X 1	
11	41037-SGT	BRACKET,BULKHEAD,"BLUE"	1
12	38586GT	CLAMP,PLATFORM MOUNT	1
13	23396GT	SPRING,CONTROL CABLE, AWP	1
14	6833GT	CLAMP,0.50,#8 X 1/4,RUB CUSH	1
15	22699GT	WASHER,FLAT,M10,ZINC PLTD.	1



501.1 Platform Assembly, Aluminum, Sliding Mid-rail Entry

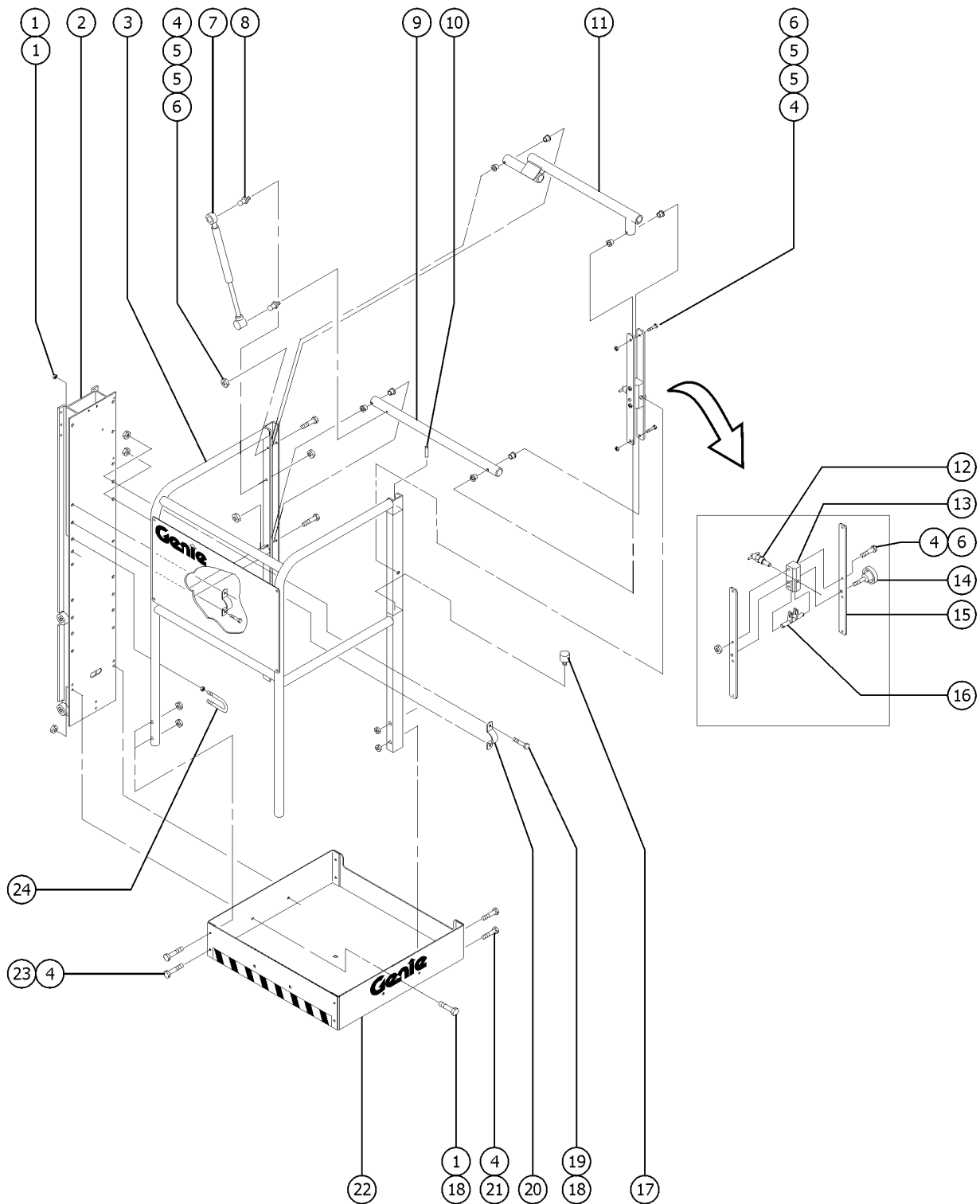


501.1 Platform Assembly, Aluminum, Sliding Mid-rail Entry

Item	Part No.	Description	Qty.
		Ref. Platform Assembly (refer to 505.1 or 505.2)	
	26769GT	OPTION, LANYARD KIT, AWP includes installation instructions	
1		Ref. Railing Assembly (refer to 505.1 or 505.2)(includes items 2-6)	
2	41292GT	MID-RAIL GUIDE WITH LOOM	2
2-	31146GT	WIRE LOOM,.413" NON-SLIT***	16
3	6888GT	SCREW,HHC,1/4-20 X 1	
4	56660GT	WASHER,RIVETING	
5	6091GT	NUT,NYLOCK,1/4-20	
6	107391GT	MID RAIL TUBE ASSY W/ DECAL	1
7	38586GT	CLAMP,PLATFORM MOUNT	2
8	6175GT	SCREW,HHC,3/8-16 X 1	
9	4828GT	NUT,NYLOCK,3/8-16	
10	24537GT	TAPE,NON-SKID,DIE CUT,6"X 2'	2
11	38204GT	TOEBOARD-STD.W/DECALS AWP/IWP (includes item 10)	1
12	4266GT	SCREW,HHC,1/4-20 X 2	
13		Ref. Carriage Assembly (refer to 305.1)	
14	4828GT	NUT,NYLOCK,3/8-16	2
15	6550GT	U-BOLT,3/8 X 1 YZ lanyard anchorage point	1



502.1 Platform Assembly, Aluminum, Gated Entry

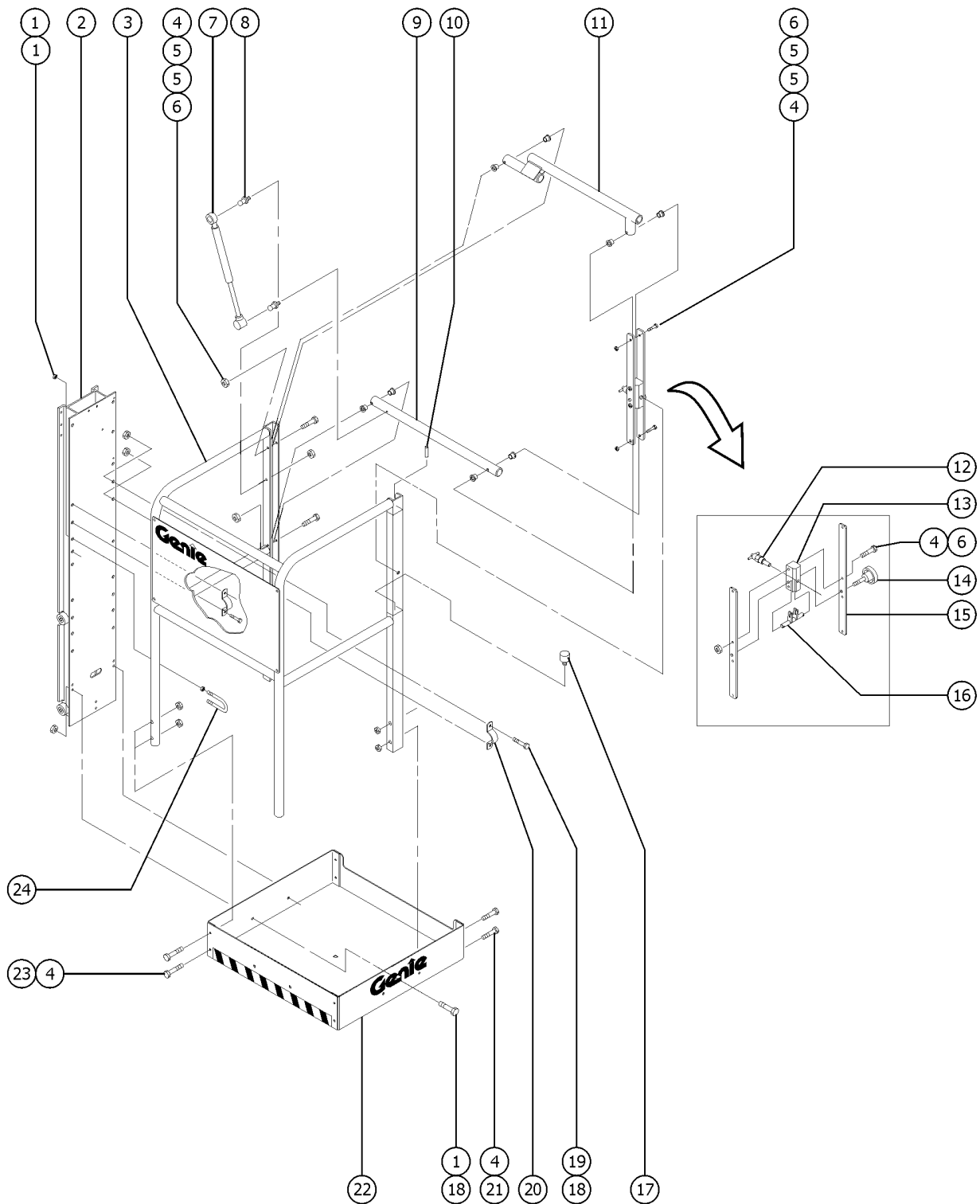


502.1 Platform Assembly, Aluminum, Gated Entry

Item	Part No.	Description	Qty.
		Ref. Platform Assembly (see cross reference chart on 505.1)	
1	4828GT	NUT,NYLOCK,3/8-16	
2		Ref. Carriage Assembly (refer to 305.1 or 306.1)	
3A		Ref. Standard Railing Assembly (see cross reference chart on 505.1)	
3B		Ref. Narrow Railing Assembly (see cross reference chart on 505.1)	
3C		Ref. Ultra-Narrow Railing Assembly (see cross reference chart on 505.1)	
4	6091GT	NUT,NYLOCK,1/4-20	
5	824423GT	BEARING, FLANGED SLEEVE, BRONZE, 3/8" OD FOR 1/4" SHAFT	8
6	6884GT	SCREW,HHC,1/4-20 X 2.5	
7	226802GT	GAS STRUT,20LB,13"EXT-9"CLOSED	1
7-	65874GT	CONNECTOR, NYLON END (35893)**	
8	40265GT	BALL STUD,GAS STRUT (38593)***	2
9A	824462GT	ASM, ARM, LOWER PIVOT STD	1
9B	145191GT	ASM, TUBE AWP NRW GATED (includes 1 each item 8)	
9C	145192GT	ASM, TUBE AWP ULT NRW GATED (includes 1 each item 8)	
10	38338GT	PIN,SPRING,.25X.75 ZINC PLATED	
11A	824472GT	ASM, GATE ARM STD	1
11B	824457GT	ASM, UPPER GATE ARM NRW	
11C	824510GT	ASM, GATE ARM ULTRA NRW, UPPER	
12	37732GT	PIN,PULL	1
13	57116GT	HOUSING, LATCH, AWP/IWP/CWP	1
14	26787GT	KNOB order set screw separately	2
14B	2095GT	SCREW,SET,HS 10-32 X.25	2
15	26780GT	PLATE,HINGE	2
16	57138GT	LATCH ROTATOR, GATED PLATFORM	1
17	26785GT	BUMPER,RUBBER	1
18	6175GT	SCREW,HHC,3/8-16 X 1	
19	4828GT	NUT,NYLOCK,3/8-16	



502.1 Platform Assembly, Aluminum, Gated Entry

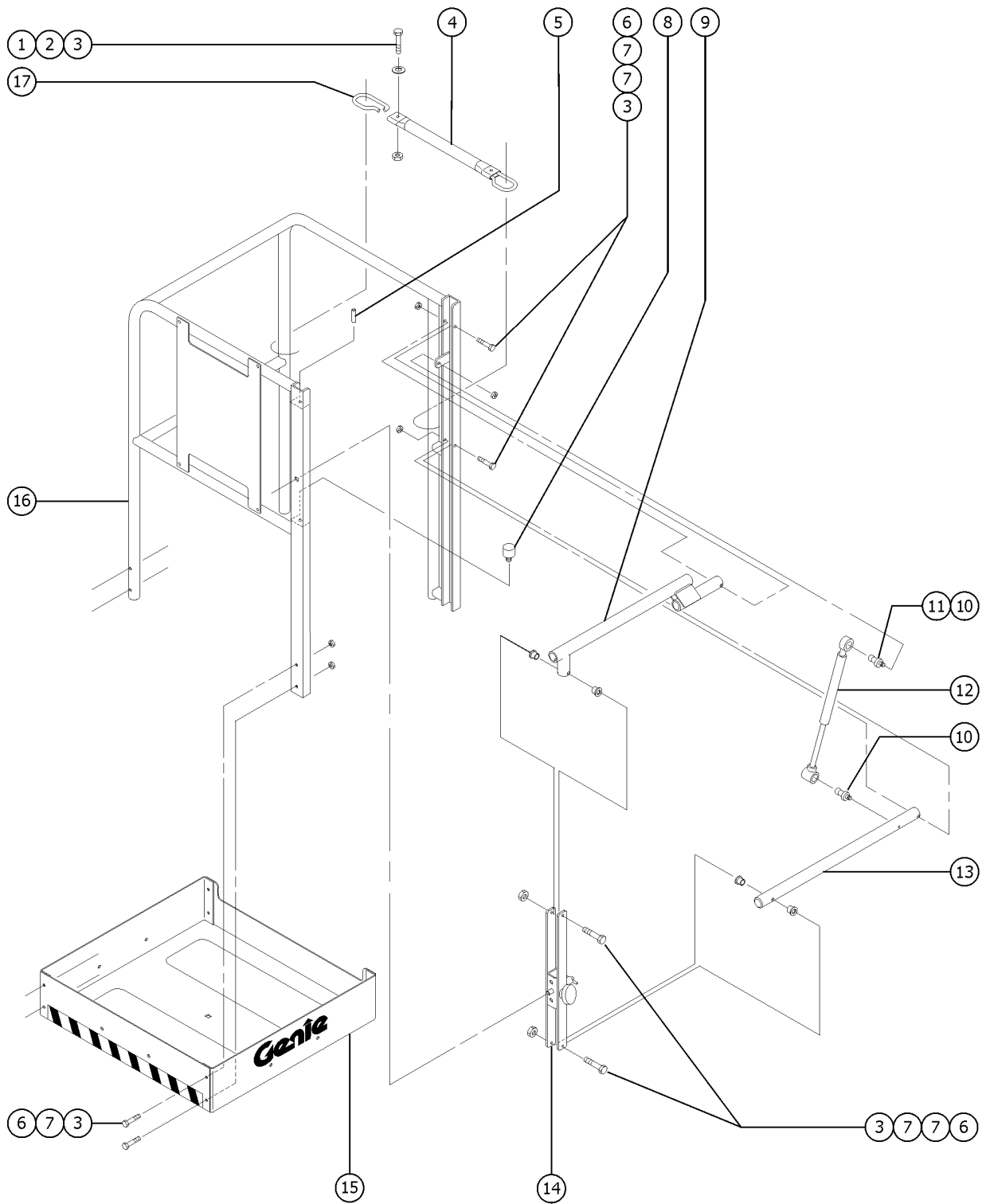


502.1 Platform Assembly, Aluminum, Gated Entry

<i>Item</i>	<i>Part No.</i>	<i>Description</i>	<i>Qty.</i>
20	38586GT	CLAMP,PLATFORM MOUNT	2
21	6888GT	SCREW,HHC,1/4-20 X 1	
22A	38204GT	TOEBOARD-STD.W/DECALS AWP/IWP	1
22B	40258GT	TOEBOARD W/DECALS,NARROW	
22C	38220GT	TOEBOARD W/DECALS,ULTRA,NARROW	
22C-	24537GT	TAPE,NON-SKID,DIE CUT,6"X 2'	
23	4266GT	SCREW,HHC,1/4-20 X 2	
24	6550GT	U-BOLT,3/8 X 1 YZ	
24B	26769GT	OPTION, LANYARD KIT, AWP includes installation instructions	



503.1 Platform Assembly, Aluminum, Extra Large, Front and Side Entry

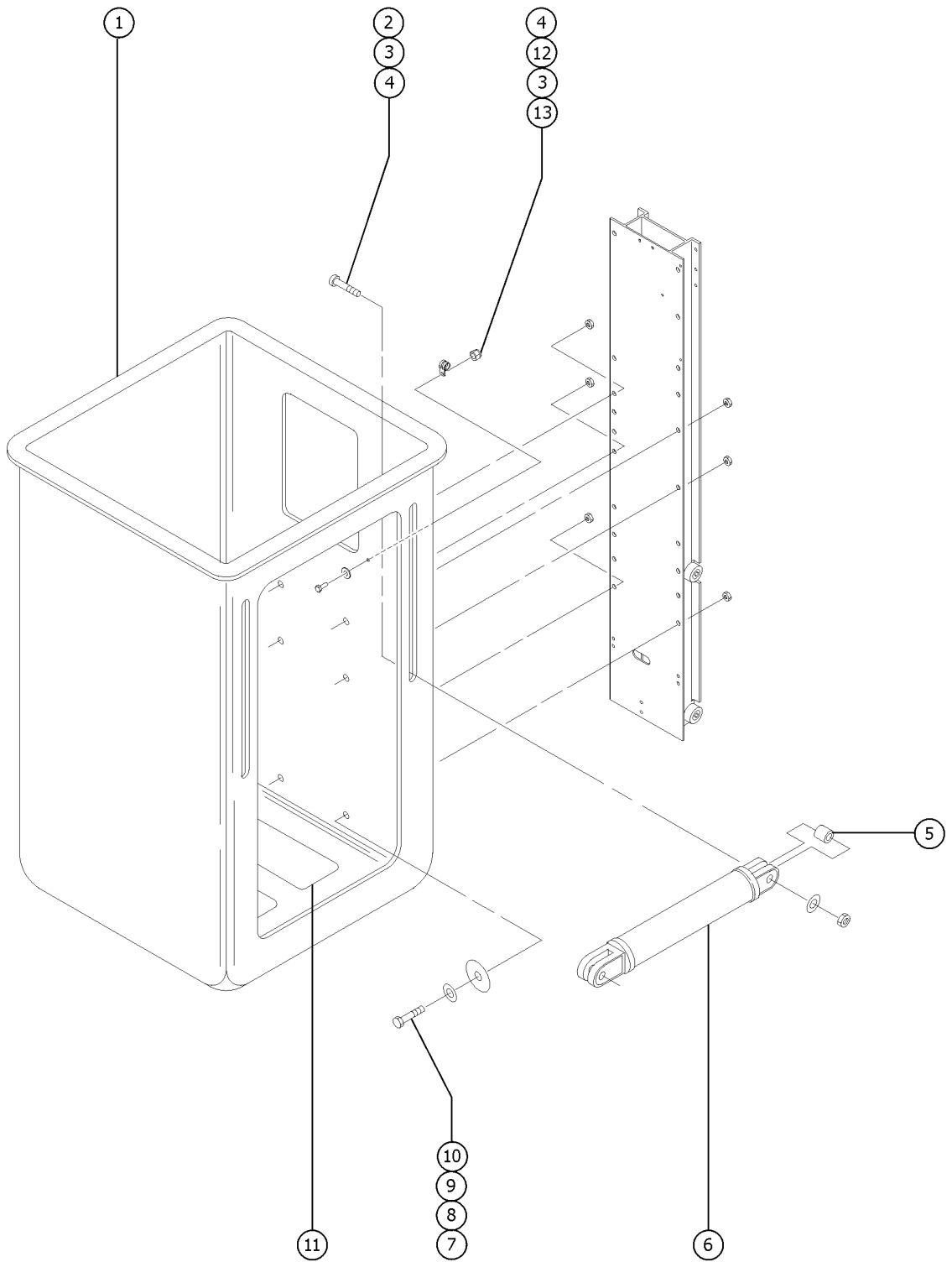


503.1 Platform Assembly, Aluminum, Extra Large, Front and Side Entry

Item	Part No.	Description	Qty.
A-	85337GT	PLATFORM ASSY,XL-WORD,IWP/AWP (USA, Australian and Canadian models)(to SN AWPP-99999)	
B-	85338GT	PLATFORM ASSY,XL-SYMBL,IWP**** (Asia, South American and European models)(to SN AWPP-99999)	
1	8915GT	SCREW,HHC,1/4-20 X 1.25	
2	6638GT	WASHER,FLAT,USS,1/4"Y	
3	6091GT	NUT,NYLOCK,1/4-20	
4	37391GT	TUBE,STD.SLIDING MIDRAIL-21	1
5	38338GT	PIN,SPRING,.25X.75 ZINC PLATED	1
6	6884GT	SCREW,HHC,1/4-20 X 2.5	
7	824423GT	BEARING, FLANGED SLEEVE, BRONZE, 3/8" OD FOR 1/4" SHAFT	
8	26785GT	BUMPER,RUBBER	1
9	824472GT	ASM, GATE ARM STD	1
10	40265GT	BALL STUD,GAS STRUT (38593)***	2
11	6002GT	NUT,LP NYLOCK,5/16-18	
12	226802GT	GAS STRUT,20LB,13"EXT-9"CLOSED	1
13	824462GT	ASM, ARM, LOWER PIVOT STD	1
14		Ref. Gate Latch Asssembly (refer to 502.1)	
15	44977GT	TOEBOARD-STD.W/DECALS,X-LARGE	1
15-	24537GT	TAPE,NON-SKID,DIE CUT,6"X 2'	
16A	85339GT	RAILING ASSY,GTD-XLG, WORD,IWP (USA, Australian and Canadian models)(to SN AWPP-99999)	
16B	85340GT	RAILING ASSY,GTD-XLG,SYMBL,IWP (Asia, South America and European models)(to SN AWPP-99999)	
17	41292GT	MID-RAIL GUIDE WITH LOOM	2
17-	31146GT	WIRE LOOM,.413" NON-SLIT****	16



504.1 Platform Assembly, Fiberglass



504.1 Platform Assembly, Fiberglass

Item	Part No.	Description	Qty.
		Ref Platform Assembly (see cross reference chart on 505.1)	
1		Ref Fiberglass Platform Assembly (see cross reference chart on 505.1)	
2	58587GT	SCREW,PPHMS,1/4-20X1.75Z,GR2	
3	6638GT	WASHER,FLAT,USS,1/4"Y	
4	6889GT	NUT,LP NYLOCK,1/4-20	
5	8149GT	SPACER,NYLON .257 X .5 X .75"	2
6A	40269GT	SLIDING MIDRAIL ASSY.STD.FIBER	1
6B	40271GT	SLIDING MIDRAIL ASSY,NRW.FIBER	
7	8178GT	SCREW,HHC,3/8-16 X 2.5	
8	6097GT	WASHER,FLAT,USS,3/8",Y	
9	14016GT	WASHER,FLAT,502 X 1.747 X.04	
10	4828GT	NUT,NYLOCK,3/8-16	
11	47231GT	TAPE,NON-SKID,DIE CUT,4"X 16"	3
12	6833GT	CLAMP,0.50,#8 X 1/4,RUB CUSH	
13	80058GT	SCREW,PHP,1/4-20 X .875	



505.1 Platform Assembly Cross Reference Chart (to SN AWPP-99999)

Platform Assemblies

Region	ANSI	CSA	AUS	CE
Aluminum, Sliding Mid-rail Entry				
Decals with Words	107433	107433	107434	N/A
Decals with Symbols	107435	107435	N/A	85495
Aluminum, Gated Entry				
Standard Decals with Words	107436	107436	107437	N/A
Narrow Decals with Words	107438	107438	107439	N/A
Ultra Narrow Decals with Words	107440	107440	107441	N/A
Standard Decals with Symbols	107442	107442	N/A	85499
Narrow Decals with Symbols	107443	107443	N/A	85328
Ultra Narrow Decals with Symbols	107444	107444	N/A	85330
Aluminum, Extra Large, Front/Side Entry				
Decals with Words	107445	107445	107434	N/A
Decals with Symbols	107447	107447	N/A	85338
Fiberglass				
Standard Decals with Words	107448	107448	107449	N/A
Standard Decals with Symbols	107450	107450	N/A	85356
Narrow Decals with Words	107451	107451	107452	N/A
Narrow Decals with Symbols	107453	107453	N/A	85358

505.1 Platform Assembly Cross Reference Chart (to SN AWPP-99999)

Item	Part No.	Description	Qty.
	38336GT	DECAL PLATE,STD PLATFORM (standard platform decal plate)	
	38337GT	DECAL PLATE,NARROW PLATFORM (narrow platform decal plate)	
	38597GT	DECAL PLATE,ULTRA NARROW PLFM (ultra narrow platform decal plate)	
	38945GT	PLATE,DECAL MULTI PLATFORM (x-large platform decal plate)	
	37392GT	RAILING WELDMENT,STD AWP96' railing welment with no decal	
1	107433GT	PLATFORM ASSY W/ WORD DECALS ANSI/CSA with sliding mid-rail entry	
2	107434GT	PLATFORM ASSY W/ WORD DECALS AUS with sliding mid-rail entry	
3	107435GT	PLATFORM ASSY W/ SYM DECALS ANSI/CSA with sliding mid-rail entry	
4	85495GT	PLAT ASSY-STD-SYMBLS,IWP/AWP CE with sliding mid-rail entry	
5	107436GT	PLATFORM ASSY W/ WORD DECALS ANSI/CSA with gated entry	
6	107437GT	PLATFORM ASSY W/ WORD DECALS AUS with gated entry	
7	107438GT	PLAT ASSY W/WORD,GATED NRW*** ANSI/CSA narrow with gated entry	
8	107439GT	PLATFORM ASSY W/ WORD DECALS AUS narrow with gated entry	
9	107440GT	PLATFORM ASSY W/ WORD DECALS ANSI/CSA ultra narrow; gated entry	
10	107441GT	PLATFORM ASSY W/ WORD DECALS AUS ultra narrow with gated entry	
11	107442GT	PLATFORM ASSY W/ SYM DECALS ANSI/CSA with gated entry	
12	85499GT	PLAT ASSY-GTD/STD-SYMBOLS***** CE with gated entry	
13	107443GT	PLATFORM ASSY W/ SYM DECALS ANSI/CSA narrow with gated entry	
14	85328GT	PLAT ASSY-GTD/NAR-SYMBL,IWPSS CE narrow with gated entry	
15	107444GT	PLATFORM ASSY W/ SYM DECALS ANSI/CSA ultra narrow with gated entry	
16	85330GT	PLAT ASSY W/DECALS,SYMBOL*** CE ultra narrow with gated entry	
17	107445GT	PLATFORM ASSY W/ WORD DECALS ANSI/CSA x-large with double entry	
18	107446GT	PLATFORM ASSY W/ WORD DECALS AUS x-large with double entry	
19	107447GT	PLATFORM ASSY W/ SYM DECALS ANSI/CSA x-large with double entry	
20	85338GT	PLATFORM ASSY,XL-SYMBL,IWP**** CE x-large with double entry	
21	107448GT	PLATFORM ASSY W/ WORD DECALS ANSI/CSA fiberglass platform	
22	107449GT	PLATFORM ASSY W/ WORD DECALS AUS fiberglass platform	
23	107450GT	PLATFORM ASSY W/ SYM DECALS ANSI/CSA fiberglass platform	



505.1 Platform Assembly Cross Reference Chart (to SN AWPP-99999)

Platform Assemblies

Region	ANSI	CSA	AUS	CE
Aluminum, Sliding Mid-rail Entry				
Decals with Words	107433	107433	107434	N/A
Decals with Symbols	107435	107435	N/A	85495
Aluminum, Gated Entry				
Standard Decals with Words	107436	107436	107437	N/A
Narrow Decals with Words	107438	107438	107439	N/A
Ultra Narrow Decals with Words	107440	107440	107441	N/A
Standard Decals with Symbols	107442	107442	N/A	85499
Narrow Decals with Symbols	107443	107443	N/A	85328
Ultra Narrow Decals with Symbols	107444	107444	N/A	85330
Aluminum, Extra Large, Front/Side Entry				
Decals with Words	107445	107445	107434	N/A
Decals with Symbols	107447	107447	N/A	85338
Fiberglass				
Standard Decals with Words	107448	107448	107449	N/A
Standard Decals with Symbols	107450	107450	N/A	85356
Narrow Decals with Words	107451	107451	107452	N/A
Narrow Decals with Symbols	107453	107453	N/A	85358

505.1 Platform Assembly Cross Reference Chart (to SN AWPP-99999)

<i>Item</i>	<i>Part No.</i>	<i>Description</i>	<i>Qty.</i>
24	85356GT	PLAT ASSY-STD FIBER, SYMBL,IWP CE fiberglass platform	
25	107451GT	PLATFORM ASSY W/ WORD DECALS ANSI/CSA narrow fiberglass platform	
26	107452GT	PLATFORM ASSY W/ WORD DECALS AUS narrow fiberglass platform	
27	107453GT	PLATFORM ASSY W/ SYM DECALS ANSI/CSA narrow fiberglass platform	
28	85358GT	PLAT ASSY-NARW FIBER,SYMBL,IWP CE narrow fiberglass platform	



505.2 Railing Assembly Cross Reference (to SN AWPP-99999)

Railing Assemblies

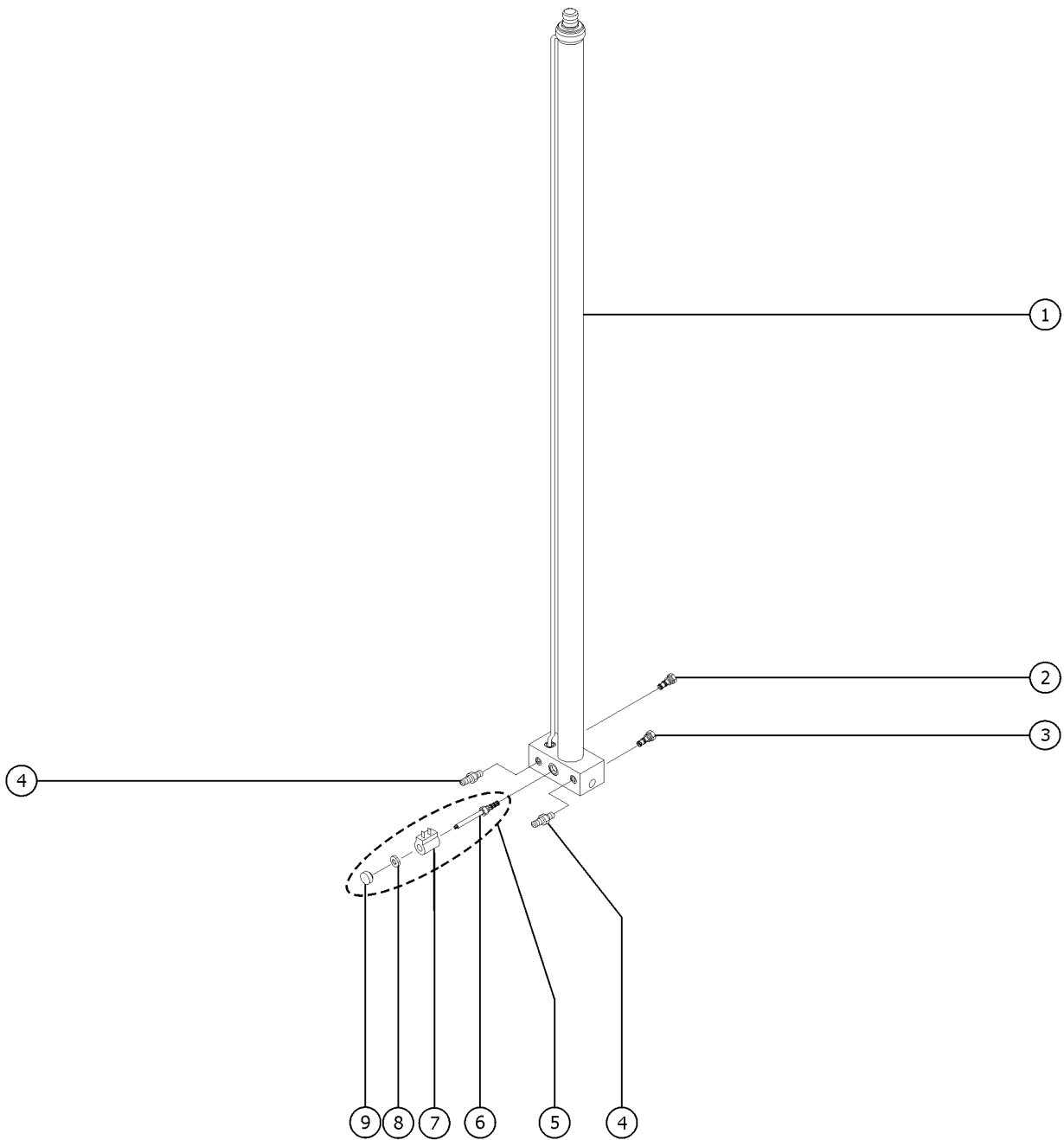
Region	ANSI	CSA	AUS	CE
Aluminum, Sliding Mid-rail Entry				
Decals with Words	107454	107454	107455	N/A
Decals with Symbols	107456	N/A	N/A	854957
Aluminum, Gated Entry				
Standard Decals with Words	107457	107457	107458	N/A
Standard Decals with Symbols	107459	N/A	N/A	85332
Narrow Decals with Words	107460	107460	107461	N/A
Narrow Decals with Symbols	107462	N/A	N/A	85334
Ultra Narrow Decals with Words	107463	107463	107464	N/A
Ultra Narrow Decals with Symbols	107465	N/A	N/A	85336
Aluminum, Extra Large, Front/Side Entry				
Decals with Words	107466	107466	107467	N/A
Decals with Symbols	107468	N/A	N/A	85340

505.2 Railing Assembly Cross Reference (to SN AWPP-99999)

Item	Part No.	Description	Qty.
	38336GT	DECAL PLATE,STD PLATFORM (standard platform decal plate)	
	38337GT	DECAL PLATE,NARROW PLATFORM (narrow platform decal plate)	
	38597GT	DECAL PLATE,ULTRA NARROW PLFM (ultra narrow platform decal plate)	
	38945GT	PLATE,DECAL MULTI PLATFORM (x-large platform decal plate)	
1	107454GT	RAILING ASSY W/ WORD DECALS ANSI/CSA with sliding mid-rail entry	
2	107455GT	RAILING ASSY W/ WORD DECALS AUS with sliding mid-rail entry	
3	107456GT	RAILING ASSY W/ SYM DECALS ANSI with sliding mid-rail entry	
4	85497GT	RAILING ASSY,SYMBOLS,AWP&IWP** CE with sliding mid-rail entry	
5	107457GT	RAILING ASSY W/ WORD DECALS ANSI/CSA with gated entry	
6	107458GT	RAILING ASSY W/ WORD DECALS AUS with gated entry	
7	107459GT	RAILING ASSY W/ SYM DECALS ANSI with gated entry	
8	85332GT	RAILING ASSY-GTD/STD-SYMBOLS** CE with gated entry	
9	107460GT	RAILING ASSY W/ WORD DECALS ANSI/CSA narrow with gated entry	
10	107461GT	RAILING ASSY W/ WORD DECALS AUS narrow with gated entry	
11	107462GT	RAILING ASSY W/ SYM DECALS ANSI narrow with gated entry	
12	85334GT	RAILING ASSY-GTD/NAR-SYMBL,IWP CE narrow with gated entry	
13	107463GT	RAILING ASSY W/ WORD DECALS ANSI/CSA ultra narrow with gated entry	
14	107464GT	RAILING ASSY W/ WORD DECALS AUS ultra narrow with gated entry	
15	107465GT	RAILING ASSY W/ SYM DECALS ANSI ultra narrow with gated entry	
16	85336GT	RAIL ASSY-GTD/ULTRA-NRW/SYMBL* CE ultra narrow with gated entry	
17	107466GT	RAILING ASSY W/ WORD DECALS ANSI/CSA x-large with double entry	
18	107467GT	RAILING ASSY W/ WORD DECALS AUS x-large with double entry	
19	107468GT	RAILING ASSY W/ SYM DECALS ANSI x-large with double entry	
20	85340GT	RAILING ASSY,GTD-XLG,SYMBL,IWP CE x-large with double entry	



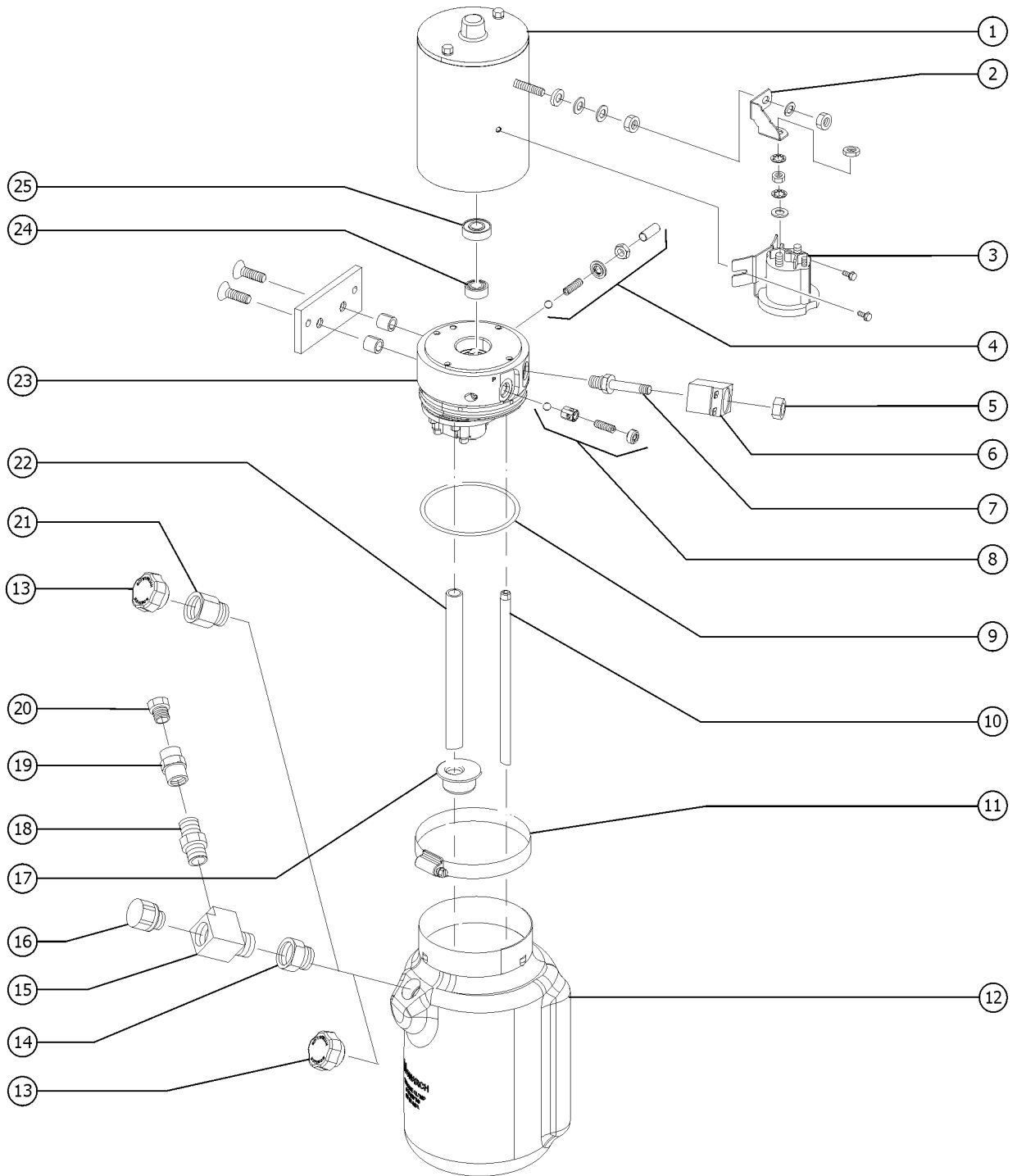
601.1 Lift Cylinder



Item	Part No.	Description	Qty.
1	80950GT	CYLINDER,LIFT 56.25"STROKE,DY* AWP-15S, AWP-20S, AWP-25S and AWP-30S	1
1-	80943GT	SEAL KIT,DONYANG CYL (35737)* (for black Dongyang cylinder 80950)	
1-	1261234GT	GUIDE RING, LIFT CYLINDER, AWP (for black Dongyang cylinder 80950)	
1A	80952GT	CYLINDER,LIFT 84.5" STROKE,DY* AWP-36S	1
1A-	80945GT	SEAL KIT, DY CYL (37367) (for black Dongyang cylinder 80952)	
1B	80951GT	CYLINDER,LIFT 78" STROKE, DY** AWP-40S	1
1B-	80944GT	SEAL KIT, DONYANG CYL (35739) (for black Dongyang cylinder 80951)	
2	35725GT	VALVE,FLOW CONTROL PREAS.COMP.	2
3	35726GT	VALVE,HYDRAULIC CHECK	1
4	13755GT	CONNECTOR,070120-4-4	2
5	40571GT	ASSY, MAN LWR VALVE W/HNDL,12V (includes items 6-9)	1
5-	44979GT	SEAL KIT,39909,PLAT LWR VALVE*	
5-	40477GT	VALVE,CARTRIDGE*** (includes item 8)	
5-	35724GT	VALVE,NC SOLENOID,MANUAL LWR (includes items 7 and 8)	
5-	40417GT	COIL,12V DC	
5-	52943GT	NUT SOLENOID VALVE COIL	1
6	40477GT	VALVE,CARTRIDGE*** (includes item 8)	1
7	40417GT	COIL,12V DC	1
8	52943GT	NUT SOLENOID VALVE COIL	1
9	38068GT	KNOB,PUSH/PULL,RED	1



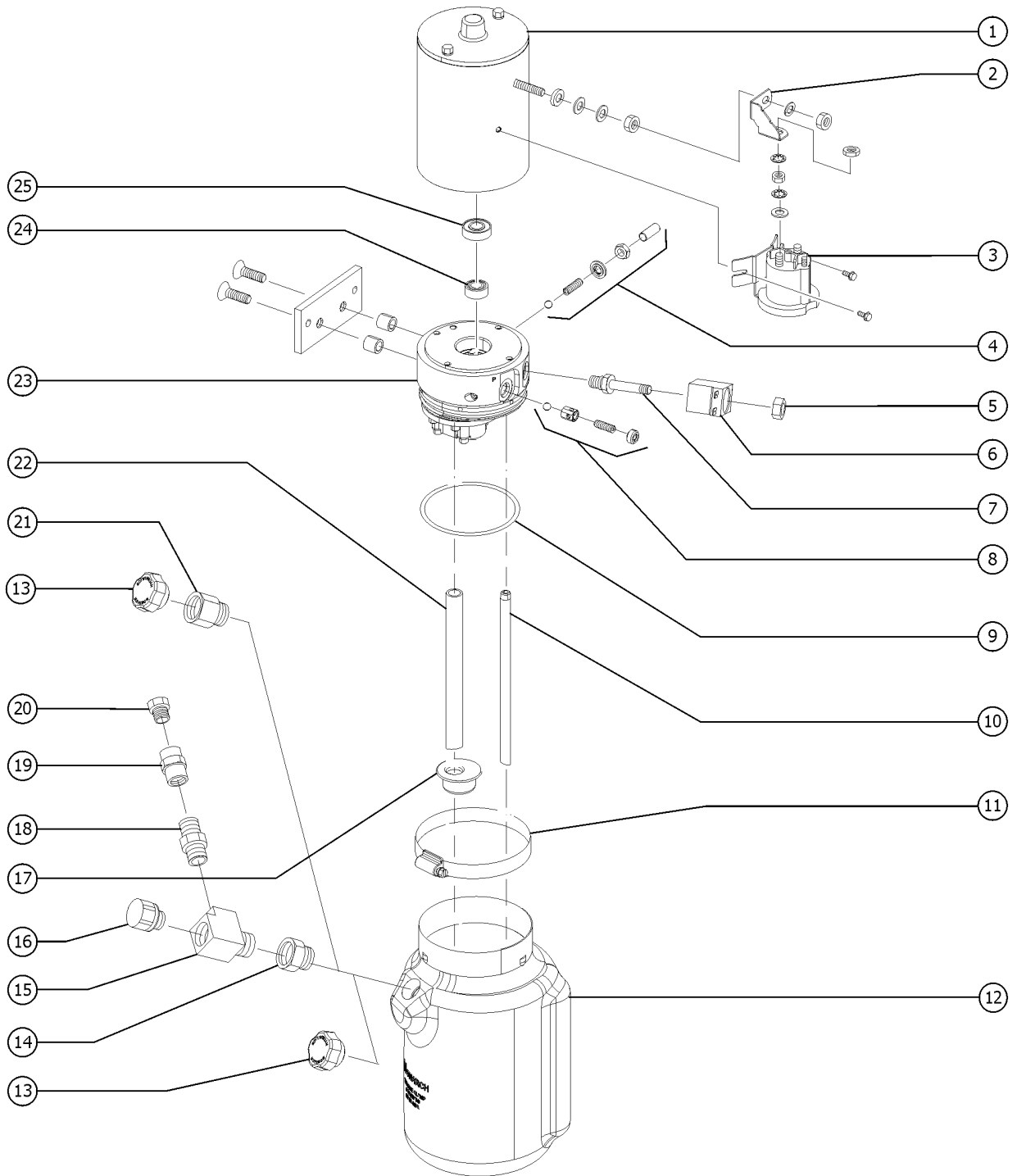
602.1 Hydraulic Power Unit, DC Models



Item	Part No.	Description	Qty.
	124189GT	POWER UNIT,12V DC	
1	38151GT	MOTOR,12V DC*** (includes item 25)	1
1-	41023GT	FUSE,175 AMP (not shown) between motor and battery pack	
1-	66717GT	FUSE BLOCK, ANN & ANL FUSE	
1-	38152GT	BRUSH KIT,12V DC MTR (08111-D) for motors with stamp "8111-D"	
1-	T114885GT	BRUSH KIT,SVC,(MOTOR 38151)*** for motors with stamp "8111-I"	
2	124185GT	SOLENOID STRAP.MONARCH	
3	124186GT	SOLENOID,MOTOR START	
4	38156GT	VALVE,RELIEF KIT,MONARCH**	1
5	100869GT	NUT,SOLENOID VALVE***	1
6	100868GT	COIL,10V DC***	1
7	100866GT	VALVE,2-POS 2-WAY*** (includes items 6 and 7)	1
7-	100867GT	CARTRIDGE W/ NUT (includes item 7)	
8	38155GT	VALVE-CHECK KIT	1
9	40318GT	SEAL,O-RING,PUMP***	1
10	58288GT	TUBE, RETURN	
11	85217GT	CLAMP, MOUNTING,(FOR 85219)***	1
12	124183GT	RESERVOIR W/DECAL,PLASTIC*** (includes decal, mounting clamp, and breather cap)	
13	100255GT	BREATHER CAP (85218) (Models with standard base, and Japanese models)	1
14	100158GT	REDUCER,NYLON, 3/4NPT X 3/8NPT (Models with Narrow or Rough Terrain Base)	1
15	40704GT	TEE,STREET,3/8 NPT,BRASS (Models with Narrow or Rough Terrain Base)	1
16	48520GT	3/8" NPT VALVE BREATHER CAP	1
17	38160GT	FILTER,PICK-UP SCREEN***	1
18	48519GT	3/8" NPT CHECK VALVE (Models with Narrow or Rough Terrain Base)	1
19	46049GT	COUPLING,3/8X1.12,BRASS (Models with Narrow or Rough Terrain Base)	1
20	46051GT	BREATHER CAP,3/8"NPT,NI PLTD (Models with Narrow or Rough Terrain Base)	1
21	100299GT	PIPE ADAPTER, 3/4-11 NPT (Japanese Models)	
22	58287GT	TUBE,SUCTION	



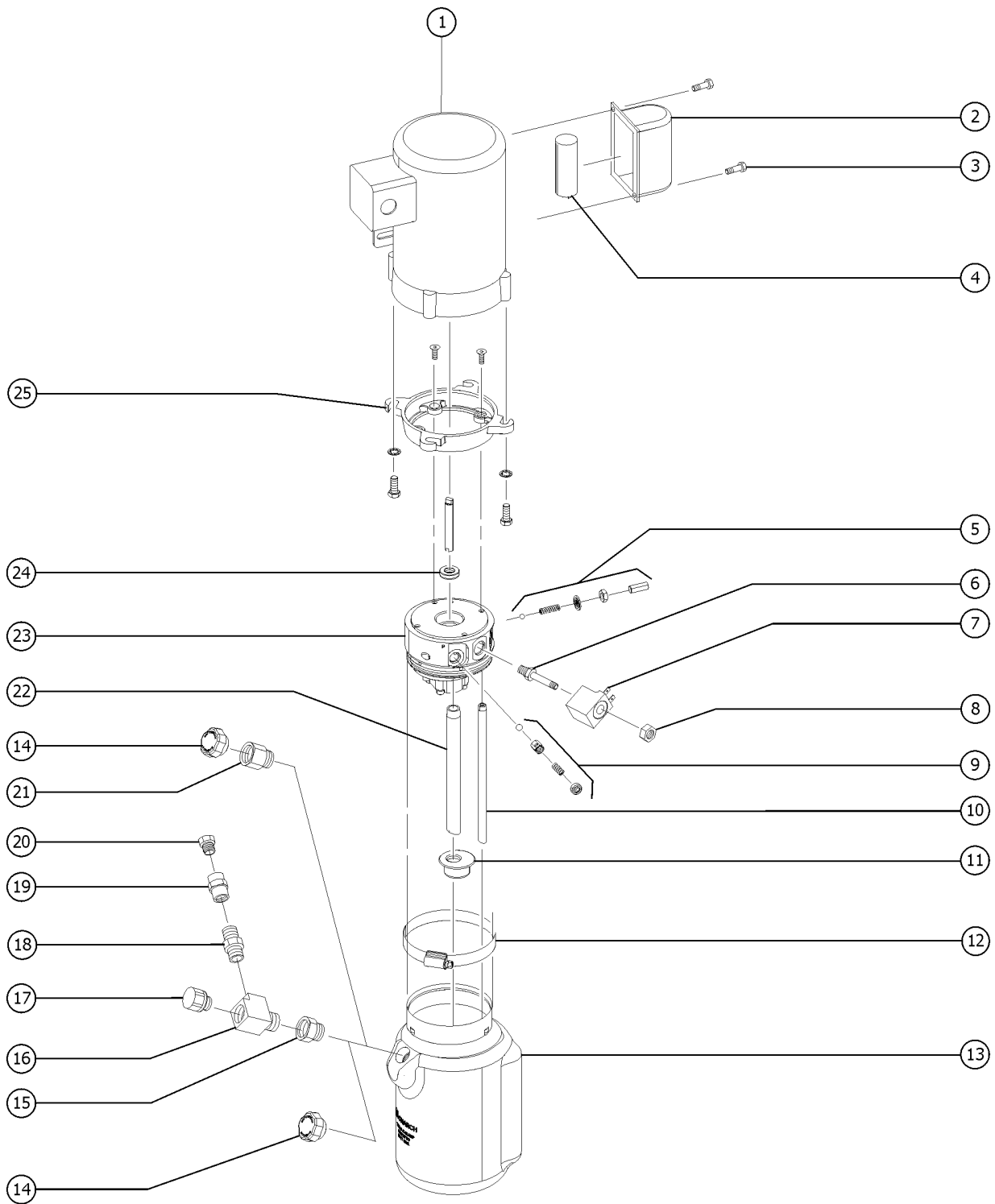
602.1 Hydraulic Power Unit, DC Models



<i>Item</i>	<i>Part No.</i>	<i>Description</i>	<i>Qty.</i>
23	38154GT	PUMP ASSEMBLY,MONARCH,AC/DC*** (includes items 4 and 8)	1
24	40401GT	SEAL,MOTOR	1
25	40400GT	BEARING,MOTOR	1



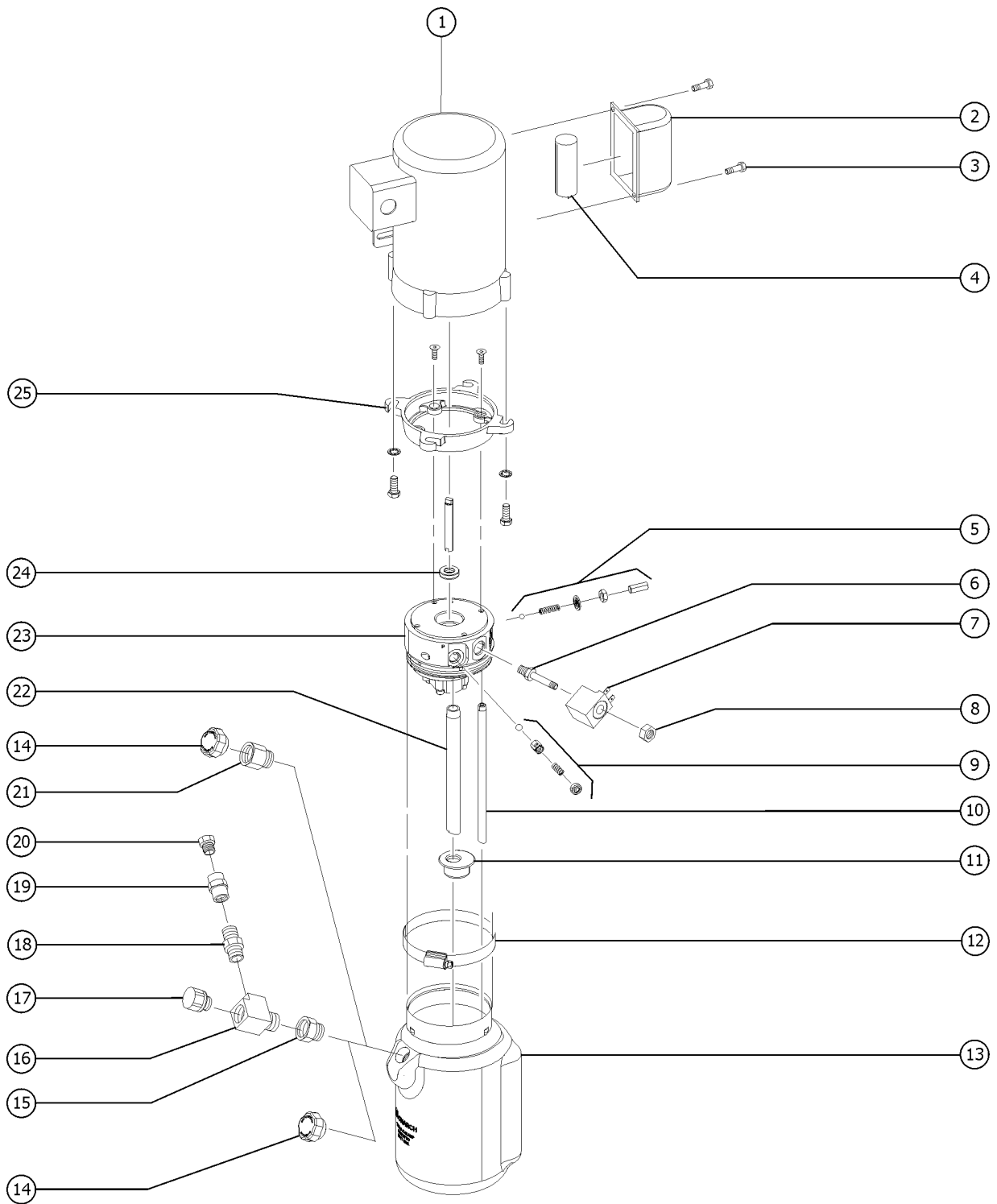
603.1 Hydraulic Power Unit, AC Models



Item	Part No.	Description	Qty.
A-	124198GT	POWER UNIT,110/220VAC,50/60HZ (from SN 89262)	
B-	124197GT	POWER UNIT,110/220VAC,60HZ (from SN 87800 to 89261)	
C-	124191GT	POWER UNIT,85V AC	
1A	38163GT	MOTOR, 115/230V AC (ANSI models to 89261) (includes item 26)	1
1B	145343GT	MOTOR,115/230V AC (124198) (ANSI models from 89262) (CE models from SN 60146)	
1B-	1303593GT	SHAFT, COUPLER, PUMP TO MOTOR (18727)	
2	40430GT	COVER,CAPACITOR	1
3	45183GT	10-32 X .375 SELFTAP SL.HX.HD	
4	40399GT	CAPACITOR,MOTOR	1
5	38156GT	VALVE,RELIEF KIT,MONARCH**	1
6	100866GT	VALVE,2-POS 2-WAY*** (includes items 7 and 8)	1
6-	100867GT	CARTRIDGE W/ NUT (includes item 7)	
7	100868GT	COIL,10V DC***	1
8	100869GT	NUT,SOLENOID VALVE***	1
9	38155GT	VALVE-CHECK KIT	1
10	58288GT	TUBE, RETURN	
11	38160GT	FILTER,PICK-UP SCREEN***	1
12	85217GT	CLAMP, MOUNTING,(FOR 85219)***	
13	124183GT	RESERVOIR W/DECAL,PLASTIC*** (includes decal, mounting clamp, and breather cap)	1
14	100255GT	BREATHER CAP (85218) (Models with Standard Base and Japanese Models)	1
15	100158GT	REDUCER,NYLON, 3/4NPT X 3/8NPT (Models with Narrow or Rough Terrain Base)	1
16	40704GT	TEE,STREET,3/8 NPT,BRASS (Models with Narrow or Rough Terrain Base)	1
17	48520GT	3/8" NPT VALVE BREATHER CAP (Models with Narrow or Rough Terrain Base)	2
18	48519GT	3/8" NPT CHECK VALVE (Models with Narrow or Rough Terrain Base)	1
19	46049GT	COUPLING,3/8X1.12,BRASS (Models with Narrow or Rough Terrain Base)	1
20	46051GT	BREATHER CAP,3/8"NPT,NI PLTD (Models with Narrow or Rough Terrain Base)	1
21	100299GT	PIPE ADAPTER, 3/4-11 NPT (Japanese Models with narrow or rough terrain base)	
22	58287GT	TUBE,SUCTION	



603.1 Hydraulic Power Unit, AC Models

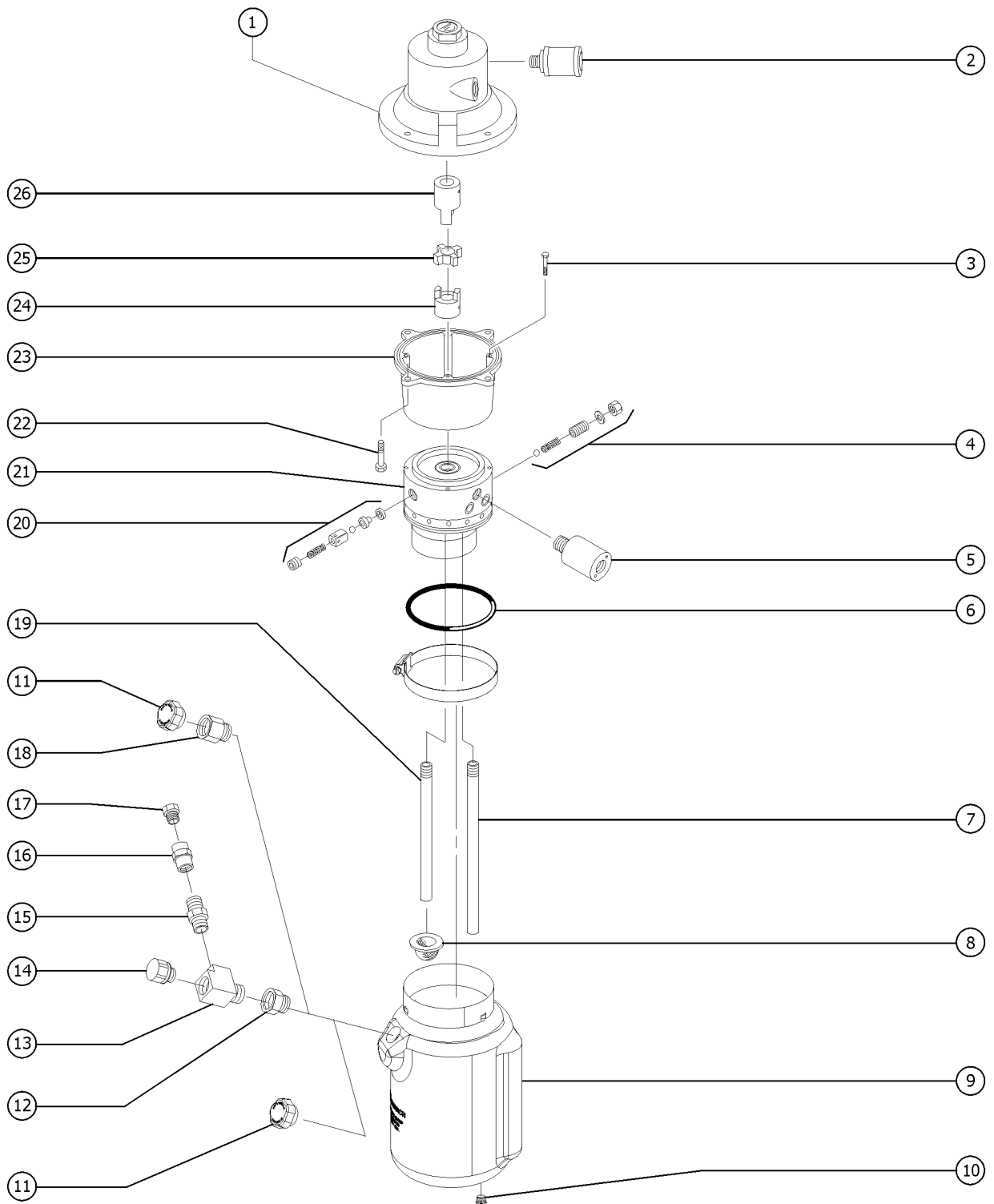


603.1 Hydraulic Power Unit, AC Models

<i>Item</i>	<i>Part No.</i>	<i>Description</i>	<i>Qty.</i>
23	38154GT	PUMP ASSEMBLY,MONARCH,AC/DC*** (includes items 5 and 20)	1
24	40401GT	SEAL,MOTOR	1
25	124188GT	BELL HOUSING,POWER UNIT,CE (ANSI models from SN 89262) (CE models from SN 60146)	1



604.1 Hydraulic Power Unit, Air Powered Models

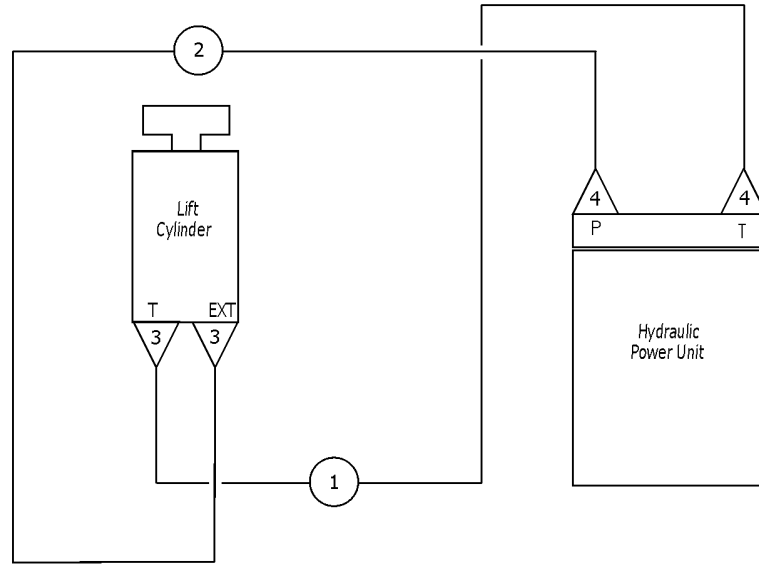



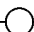
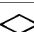
604.1 Hydraulic Power Unit, Air Powered Models

Item	Part No.	Description	Qty.
	100088GT	POWER UNIT,PNEUMATIC*** (Air Powered models)	
1	41924GT	MOTOR-AIR, SUPER SERIES	1
2	57191GT	MUFFLER, AIR MOTOR,1/4 NPT	1
3	12343GT	SCREW,HHC,1/4-20 X 3	
4	38156GT	VALVE,RELIEF KIT,MONARCH**	1
5	41930GT	VALVE-AIR PILOT,MTR.,S-SERIES	1
6	40318GT	SEAL,O-RING,PUMP***	1
7	58288GT	TUBE, RETURN	
8	38160GT	FILTER,PICK-UP SCREEN***	1
9	124183GT	RESERVOIR W/DECAL,PLASTIC*** (Includes mounting clamp and breather cap)	1
10	109802GT	PLUG,ORB #6	1
11	100255GT	BREATHER CAP (85218) (Models with standard base and Japanese Models)	1
12	100158GT	REDUCER,NYLON, 3/4NPT X 3/8NPT (Models with Narrow or Rough Terrain Base)	1
13	40704GT	TEE,STREET,3/8 NPT,BRASS (Models with Narrow or Rough Terrain Base)	1
14	48520GT	3/8" NPT VALVE BREATHER CAP	2
15	48519GT	3/8" NPT CHECK VALVE (Models with Narrow or Rough Terrain Base)	1
16	46049GT	COUPLING,3/8X1.12,BRASS (Models with Narrow or Rough Terrain Base)	1
17	46051GT	BREATHER CAP,3/8"NPT,NI PLTD (Models with Narrow or Rough Terrain Base)	1
18	100299GT	PIPE ADAPTER, 3/4-11 NPT (Japanese Models)	
19	58287GT	TUBE,SUCTION	
20	38155GT	VALVE-CHECK KIT	1
21	41929GT	PUMP ASSY-AIR MTR,SUPER SERIES (includes item 4)	1
22	49857GT	SCREW,HHC,3/8-16 X .88,GRD 8	
23	41928GT	ADAPTER,PUMP/MTR HSING,AIR-S	1
24	41927GT	COUPLING,AIR MTR. SUPER SERIRS	1
25	41926GT	COUPLING-SPIDER,AIR S-SERIES	1
26	41925GT	COUPLING-MTR.SIDE,AIR S-SERIES	



605.1 Hydraulic Hoses and Fittings



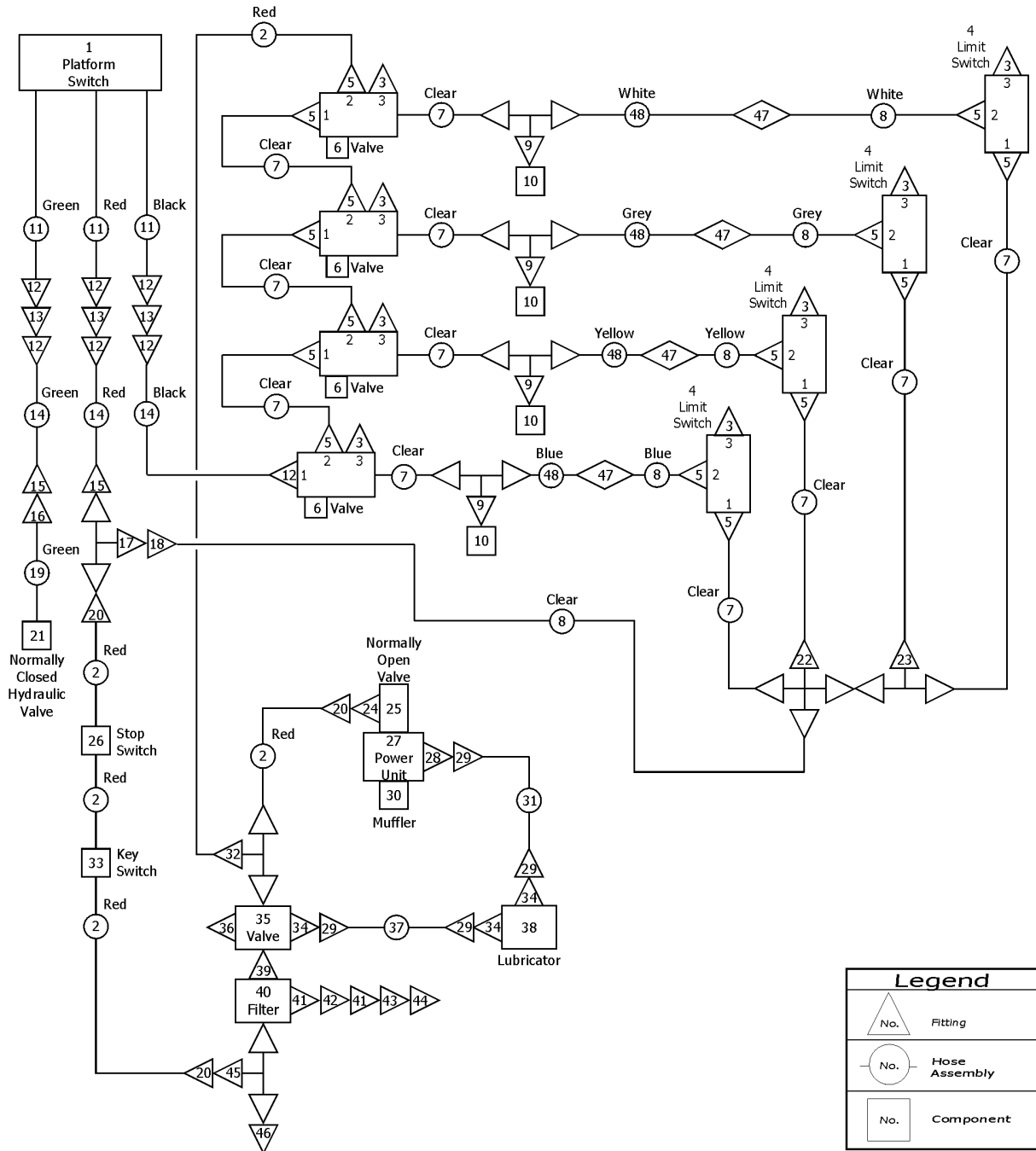
LEGEND	
	FITTING
	HOSE ASSEMBLY
	CONNECTOR

605.1 Hydraulic Hoses and Fittings

<i>Item</i>	<i>Part No.</i>	<i>Description</i>	<i>Qty.</i>
1	80623GT	HOSE ASSY,62.4",IWP-PRKR (Components: 78855, 78855, 78852 @ 62.4 inches)	1
2	115301GT	HOSE ASSY (Components: 78855, 78855, 78852 @ 63 inches)	1
3	13755GT	CONNECTOR,070120-4-4	2
4	12340GT	ELBOW,070220-4-6	2



606.1 Pneumatic Hoses and Fittings, Air Powered Models



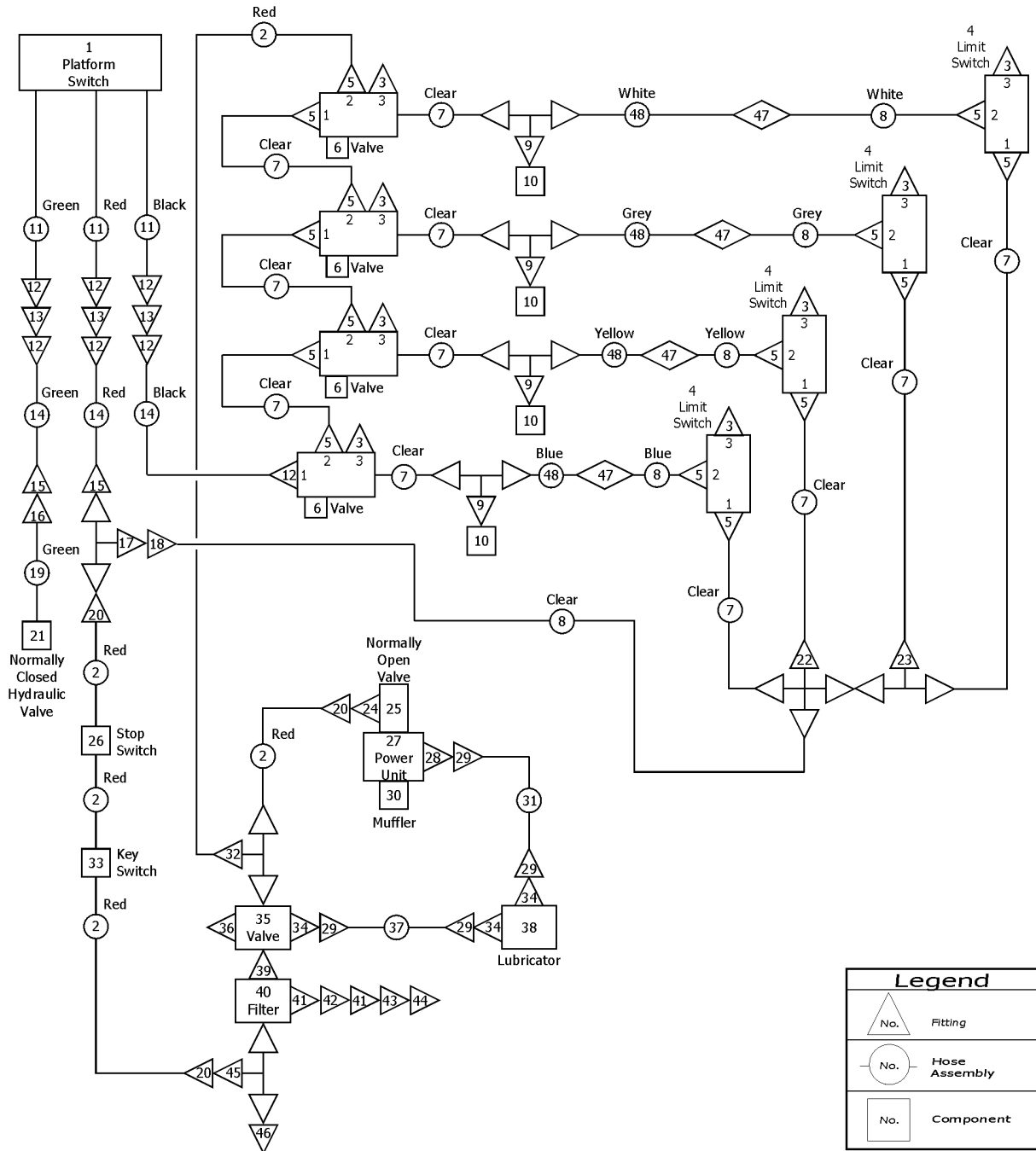
Legend	
	Fitting
	Hose Assembly
	Component

606.1 Pneumatic Hoses and Fittings, Air Powered Models

Item	Part No.	Description	Qty.
1		Ref. Platform Switch (refer to 409.1)	
2	1619GT	HOSE-5/32 RED PNEUMATIC,BULK	38
3	41476GT	BREATHER VENT,10/32	8
4		Ref. Outrigger Interlock Bracket Assembly (refer to 201.1)	
5	41477GT	ADAPTER,10/32 X 1/16 BARB	15
6	40970GT	VALVE,2 POSITION 3 WAY (includes mounting fasteners)	4
7	41480GT	HOSE,CLEAR,1/8 X 1/16	168
8	41483GT	HOSE,5 X 1/8 X 1/16	104
9	41479GT	TEE,BRANCH,1/16 BARB X 10/32	4
10	40973GT	INDICATOR,OUTRIGGER (includes mounting fasteners)	4
11	41377GT	HOSE,PNEUMATIC COIL (AWP-30S)	1
12	41465GT	ADAPTER,10/32 X .12 BARB (AWP-30S)	1
13	41464GT	FITTING,BULKHEAD,10/32 (AWP-30S)	3
14A	41949GT	HOSE CONTROL,AWP-30S,STD,AIR (AWP-30S)	
14B	41955GT	HOSE CONTRL,AWP-30S,NRW/RT,AIR (AWP-30S Models with Narrow or Rough Terrain Base)	
15	41471GT	ADAPTER,.12 MNPT X .12 BARB	2
16	41472GT	ADAPTER,.12 FNPT X .25 PUSH	1
17	41475GT	TEE,BRASS,1/8 NPT	1
18	41474GT	ADAPTER,.12 MNPT X 1/16 BARB	1
19	41473GT	HOSE,1/4,GREEN NYLON	
20	41469GT	ADAPTER,.12 MNPT X 5/32 PUSH	3
21	40971GT	VALVE, NC POPPET, DIR CONT	1
22	41484GT	CROSS,1/16 BARB	1
23	41485GT	TEE,1/16 BARB	1
24	41482GT	ELBOW,STREET,.12 NPT	1
25	41930GT	VALVE-AIR PILOT,MTR.,S-SERIES	1
26		Ref. Push Button with Base - Red Mushroom Head (refer to 409.1)	1
27		Ref. Hydraulic Power Unit (refer to 604.1)	1



606.1 Pneumatic Hoses and Fittings, Air Powered Models



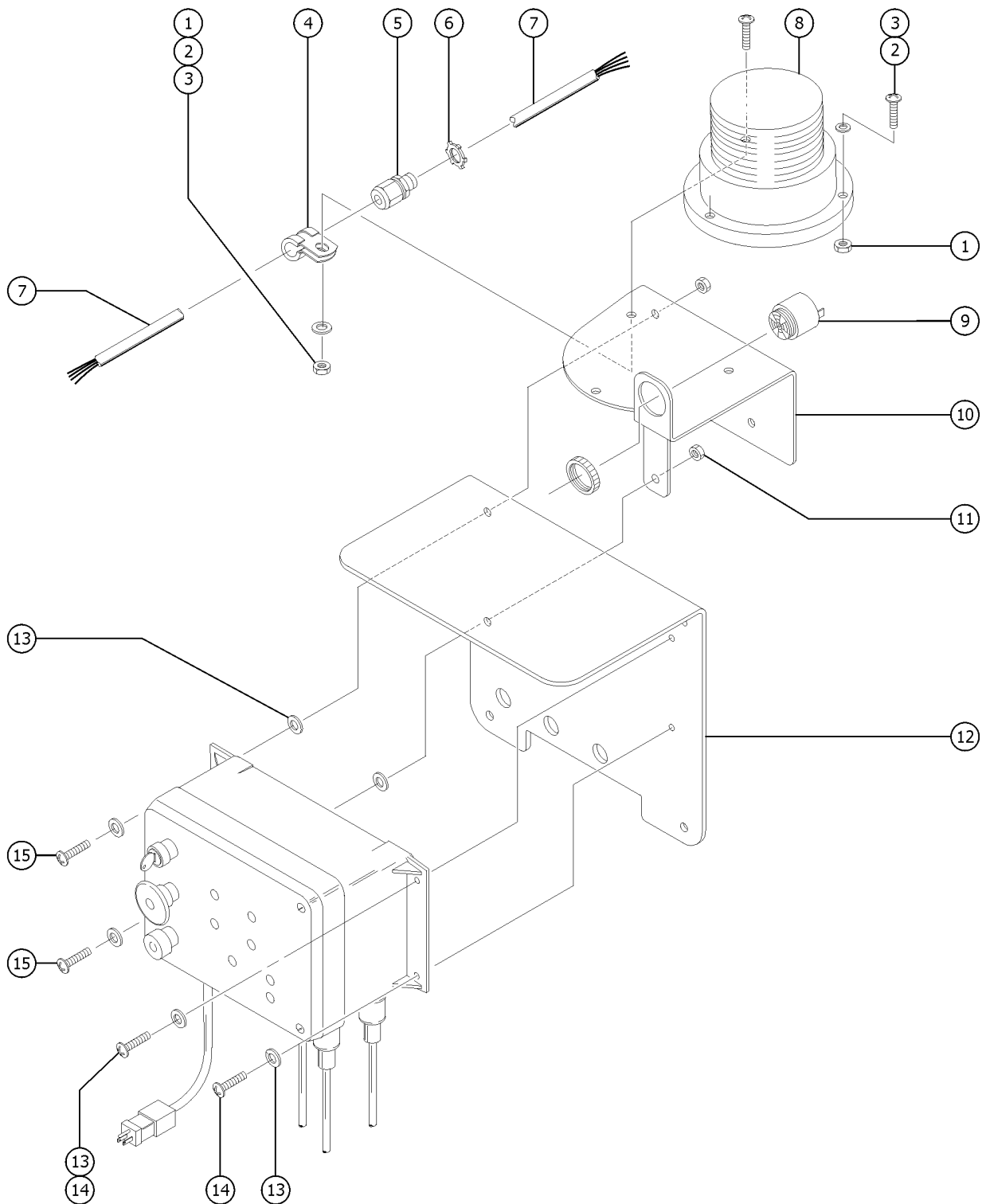
Legend	
	Fitting
	Hose Assembly
	Component

606.1 Pneumatic Hoses and Fittings, Air Powered Models

Item	Part No.	Description	Qty.
28	41467GT	ELBOW,.25 MNPT X .5 BARB	1
29	42280GT	CLAMP,HOSE,.50	4
30	57191GT	MUFFLER, AIR MOTOR,1/4 NPT	1
31	41463GT	HOSE,SYNFLEX	17
32	41481GT	TEE,BRANCH,5/32 PUSH X .12MNPT	1
33		Ref. Key Switch with Base	1
		(refer to 409.1)	
34	41461GT	ELBOW,90 DEGR,.5 MNPT X .5BARB	3
35	41192GT	VALVE,ON/OFF AIR	1
36	41486GT	BREATHER VENT,.75 NPT	1
37	41463GT	HOSE,SYNFLEX	14
38	41534GT	LUBRICATOR, SUPER SERIES	1
39	41195GT	NIPPLE,HEX,BRASS,.5 NPT	1
40	69227GT	FILTER,REGULATOR	1
41	41459GT	NIPPLE,3" BRASS,.5NPT	1
42	41460GT	ELBOW,90 DEGREE,.5 NPT	1
43	41458GT	CONNECTOR,CP18,.5 FPT	1
44	41457GT	COUPLER,HOSE,.5 AUTOMATIC	1
45	41468GT	TEE,BRASS STREET,.12 NPT	1
46	11300GT	GAUGE, 2 INCH, PRESSURE	1
47	43077GT	FITTING,1/16 BARBED, SPLICE	4
48	41483GT	HOSE,5 X 1/8 X 1/16	96



701.1 Operational Warning Light and Descent Alarm

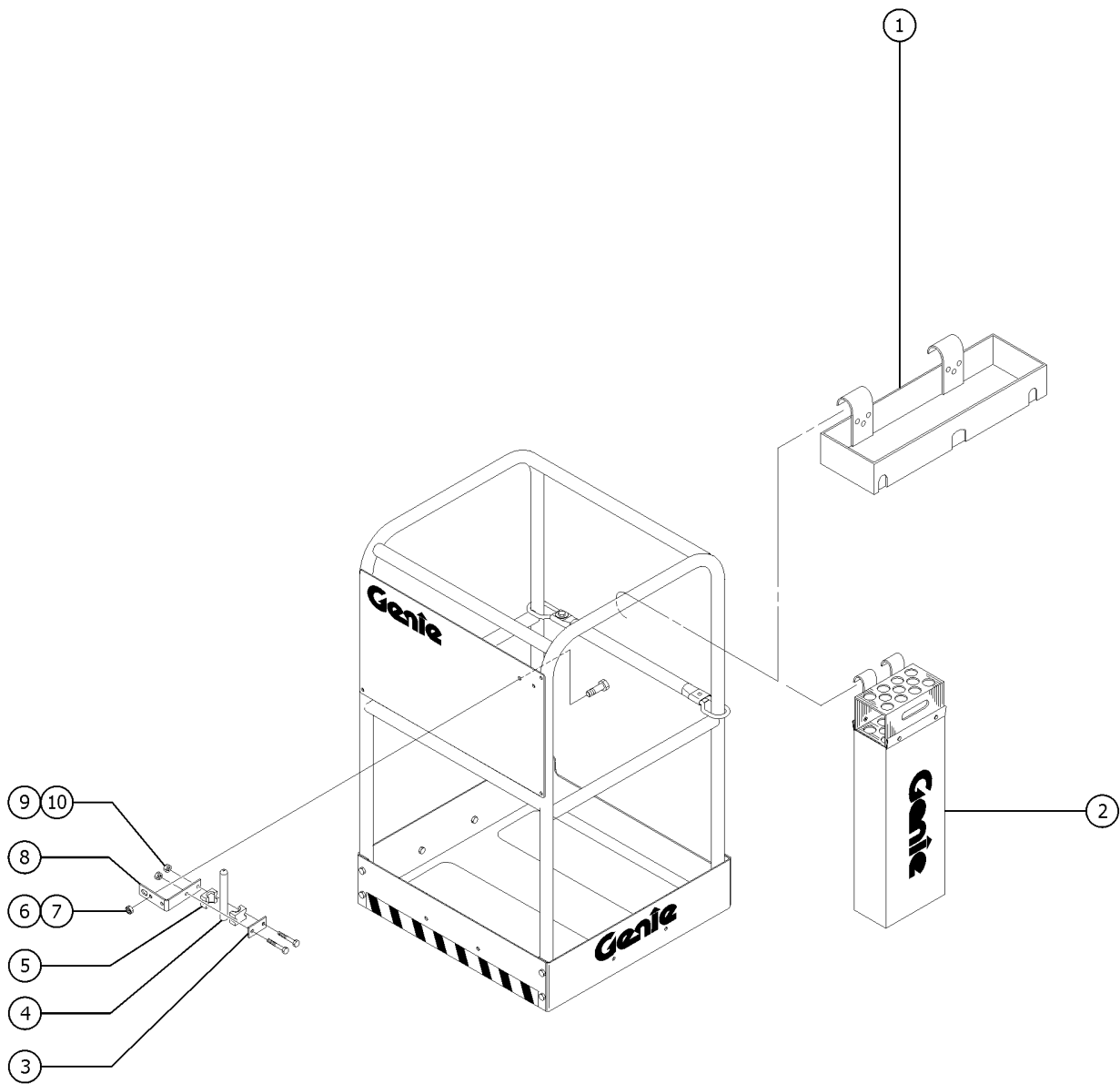


701.1 Operational Warning Light and Descent Alarm

Item	Part No.	Description	Qty.
		The location of the descent alarm assembly is dependent on the machine model and configuration. The top installation is shown but this can also be mounted on the right and left sides.	
1	15513GT	NUT,HEX,10-32	3
2	6607GT	WASHER,LOCK,#10 PLTD	3
3	6606GT	SCREW,RHM,10-32 X .75	3
4	6833GT	CLAMP,0.50,#8 X 1/4,RUB CUSH	1
5	33576GT	CONN,SQZ,1/2NPT,170-.450	1
6	6935GT	LOCKNUT,ELEC,1/2"	1
7	6562GT	WIRE CABLE,16/4 SJO,BULK	32
8	231237GT	STROBE, AC COMPAT., 12-80V AMB	1
8-	72282GT	LENS,AMBER,STROBE,FIREBOLT	
8-	226393GT	FLASHTUBE,STRAIGHT,360DEG,BULB	
8-	122019GT	FLASHTUBE,U SHAPED,360DEG,BULB	
9	45383GT	ALARM,WARBLE TONE 5-30 VDC*** Does not include 72326 nut	1
10	41452-SGT	PLATE,STROBE/ALARM MTG,PAINTED	1
11	6889GT	NUT,LP NYLOCK,1/4-20	2
12	37765-SGT	PLATE,CONTROL BOX,"BLUE"	1
13	6638GT	WASHER,FLAT,USS,1/4"Y	
14	43136GT	SCREW,PHM,1/4-20 X .625	2
15	80058GT	SCREW,PHP,1/4-20 X .875	2



702.1 Tube Caddy, Tray and Platform Locating Light



Note:
 The Locating Light is mounted differently depending on the platform option. Refer to the instruction sheet that comes with the kit for mounting location.

702.1 Tube Caddy, Tray and Platform Locating Light

<i>Item</i>	<i>Part No.</i>	<i>Description</i>	<i>Qty.</i>
1	9599-SGT	TOOL TRAY ACCESSORY***	1
2	38226GT	TUBE CADDY,AWP PLATFORM*** (includes mounting hardware and assembly instructions)	1
3	80995GT	PLATE, LASER LOCATOR	1
4	80993GT	LASER POINTER***	1
4-	43078GT	LASER,LOCATING ACCESSORY	
		includes items 3 and 5-10	
5	80994GT	CUSHION, LASER LOCATOR	2
6	4828GT	NUT,NYLOCK,3/8-16	
7	6175GT	SCREW,HHC,3/8-16 X 1	
8	80997GT	FORMING, LASER LOCATOR	1
9	6091GT	NUT,NYLOCK,1/4-20	
10	6637GT	SCREW,HHC,1/4-20 X 1.75	



<u>Part no.</u>	<u>Page Number</u>	<u>Part no.</u>	<u>Page Number</u>	<u>Part no.</u>	<u>Page Number</u>
1268GT	11	6708GT	105	13854GT	93, 97
1484GT	11	6714GT	35, 39, 43	13918GT	71
1619GT	173	6732GT	105	14016GT	151
2095GT	145	6825GT	35, 39, 43, 105	14033GT	93
2223GT	69	6833GT	141, 151, 177	14295GT	115, 121
4266GT	143, 147	6884GT	145, 149	14392GT	131
4828GT	35, 39, 43, 73, 77, 81...	6886GT	119, 121	15513GT	177
5224GT	35, 39, 43, 91, 105	6888GT	61, 65, 143, 147	17626GT	111
5397GT	57, 59, 61, 65, 73, 77...	6889GT	111, 151, 177	18503GT	111
5408GT	105	6935GT	123, 127, 133, 177	20342GT	129
6002GT	149	7056GT	123, 127, 135	21018GT	125, 129, 133
6019GT	37, 39, 43, 93, 97, 99	7057GT	133, 139	21278GT	103
6021GT	91, 103, 115, 117	7339GT	69, 95, 115, 117, 139, 141	21279GT	103
6022GT	57, 59, 67	7713GT	45, 47, 57, 59, 61, 65...	21280GT	107
6034GT	99	8149GT	151	21437GT	103
6052GT	57, 59, 61, 65, 69, 91	8178GT	103, 151	21441GT	103
6082GT	47	8214GT	47	21442GT	103
6086GT	41, 57	8220GT	99	21858GT	123
6090GT	35, 39, 43, 59, 85, 91...	8255GT	59, 61, 65, 133	21982GT	131
6091GT	35, 39, 43, 85, 145, 145...	8357GT	99	22699GT	137, 139, 141
6095GT	37, 41, 73, 79, 83, 93...	8516GT	93, 97, 99, 103	22736GT	47
6097GT	35, 43, 69, 71, 93, 97...	8519GT	91, 103	23394GT	137, 139, 141
6145GT	111	8525GT	93	23396GT	137, 139, 141
6175GT	95, 97, 99, 105, 115, 117...	8849GT	87	23787-SGT	137, 139
6178GT	111, 119, 121	8915GT	137, 139, 141, 149	23788GT	137, 139
6180GT	107	8920GT	69, 97	24537GT	143, 147, 149
6198GT	37, 41, 45, 73, 79, 83...	9145GT	105	24697-SGT	103
6271GT	69, 93, 107	9599-SGT	179	24900GT	47
6326GT	93	10153GT	35, 39, 43, 123, 127	25084GT	103
6356GT	35, 39, 43, 71, 115, 117...	10258GT	45	25085GT	103
6534GT	73, 77, 81	10597GT	105, 115, 117, 119	25086GT	103
6550GT	143, 147	10775GT	133	25087GT	103
6562GT	177	10777GT	133	25388GT	123
6563GT	91	11890GT	73, 79, 83	25926GT	95, 137, 139, 141
6564GT	45, 99, 105	12011GT	115	26769GT	143, 147
6587GT	37, 41, 45, 97, 99	12340GT	171	26780GT	145
6606GT	177	12343GT	169	26785GT	145, 149
6607GT	131, 177	12560GT	139	26787GT	145
6610GT	47	12906GT	85	27415GT	35, 39, 43, 105
6633GT	139	13066GT	37, 41, 45	27581GT	11
6637GT	179	13585GT	133	27769GT	91, 105
6638GT	35, 39, 43, 59, 61, 65...	13755GT	159, 171	27838GT	13, 25



<u>Part no.</u>	<u>Page Number</u>	<u>Part no.</u>	<u>Page Number</u>	<u>Part no.</u>	<u>Page Number</u>
27839GT	13	33587GT	125	35771GT	57
27840GT	13	33589GT	137, 139	35772GT	61, 65, 67
27841GT	13	33590GT	137, 139	35773GT	61, 65
27842GT	13	33591GT	137, 139	35774GT	61
27843GT	13	33605GT	123	35775GT	65
27844GT	13	33674GT	97, 99	35786GT	89
27857GT	13, 27	33681GT	115, 117, 121	35789PGT	71
27863GT	13, 25	33720GT	103	35846GT	129
27864GT	13, 25	33724GT	133	35991GT	59, 61, 65, 85, 91, 95...
27865GT	13	33776GT	107	37141GT	13
27867GT	13	35049GT	137, 139	37142GT	13, 23
27868GT	13	35695GT	73, 77, 81	37143GT	15
27872GT	13, 25	35697GT	73, 77, 81	37144GT	15
27873GT	13, 25	35698GT	73, 79, 83	37145GT	15
27874GT	13, 25	35699GT	73, 77, 81	37202GT	37, 41, 45, 93, 97, 99
28174GT	13, 19, 23, 27, 29, 33	35703-6813GT	73, 77, 81	37384GT	73, 77, 81
28235GT	13, 19, 23, 27, 29, 33	35703-10063GT	81	37385GT	73, 77, 81
28372GT	13, 27	35704-6813GT	73, 77, 81	37386GT	73, 77, 81
28487GT	111	35704-10063GT	77, 81	37387GT	73, 81
30748GT	45	35705GT	73, 79, 83	37389GT	71
31070GT	13, 27	35706GT	57, 59, 61, 65, 69	37391GT	149
31071GT	13, 27	35707GT	57, 59, 61, 65	37392GT	153
31146GT	143, 149	35709GT	57, 59, 61, 65	37395GT	37, 41, 43
31182GT	125, 129	35710GT	57, 59, 61, 65	37681-SGT	105
31245GT	13, 27	35711GT	59, 61, 65	37686GT	59, 61, 65
31587GT	11	35712GT	73, 79, 83	37687-SGT	105
32150GT	11	35714GT	73, 77, 81	37691GT	141
32151GT	11	35715GT	59, 61, 65	37704GT	125, 129
32317GT	103	35722GT	59, 61, 65	37732GT	145
32375GT	37, 39, 43, 91, 107	35724GT	159	37765-SGT	177
32424-SGT	37, 39, 43, 97, 99	35725GT	159	37947GT	123, 127, 131
32425-SGT	37, 39, 43, 97, 99	35726GT	159	37995GT	77, 81
32834GT	105	35727PGT	57	37996GT	77, 81
32925GT	105	35728GT	57	37997GT	77, 81
33245PGT	111	35730GT	85	38005GT	69
33576GT	177	35733GT	85	38011GT	57, 59, 63, 67
33578GT	127	35734GT	85	38013GT	57, 59, 63, 67
33580GT	137, 139	35757GT	57	38016GT	57, 61, 65
33581GT	127	35758GT	59, 61, 65, 67	38017GT	125
33584GT	129	35759GT	61, 65	38018GT	125, 129
33585GT	125, 129	35760GT	61	38026GT	69
33586GT	129	35761GT	59, 65	38028GT	57



<u>Part no.</u>	<u>Page Number</u>	<u>Part no.</u>	<u>Page Number</u>	<u>Part no.</u>	<u>Page Number</u>
38037GT	91	38345-SGT	37, 95	40400GT	163
38040GT	97, 99	38347GT	91	40401GT	163, 167
38068GT	159	38348GT	37	40417GT	159
38122GT	15, 23	38447GT	57, 59, 61, 65	40430GT	165
38142GT	15	38586GT	141, 143, 147	40434GT	15, 19
38149GT	25	38596GT	47	40477GT	159
38151GT	161	38597GT	153, 157	40478GT	57
38152GT	161	38601GT	57	40479GT	57
38154GT	163, 167	38702GT	45	40494GT	49, 55
38155GT	161, 165, 169	38709GT	57, 59, 61, 65	40495GT	49, 55
38156GT	161, 165, 169	38724GT	99	40496GT	49
38160GT	161, 165, 169	38730GT	89	40497GT	49, 55
38163GT	165	38945GT	153, 157	40498GT	49
38187GT	79, 83	38975GT	91	40506GT	103
38195GT	103	38979GT	85, 119, 121	40571GT	159
38196GT	93	38980GT	73, 77, 81	40627-SGT	59, 61, 65
38204GT	143, 147	38983GT	59, 61, 65	40704GT	161, 165, 169
38207GT	139	38986GT	77, 81	40735GT	137, 139, 141
38210GT	137	38990GT	105	40945GT	73, 77, 81
38213GT	111	39474GT	107	40946GT	57, 59, 63, 67
38214GT	111	40004GT	89, 115, 117, 119, 121	40953GT	49
38215GT	111	40258GT	147	40954GT	49, 55
38216GT	123, 127	40265GT	145, 149	40955GT	49, 55
38217GT	123, 127	40267GT	69	40970GT	131, 173
38220GT	147	40269GT	151	40971GT	173
38226GT	179	40271GT	151	40973GT	131, 173
38234GT	87	40272GT	39, 43	41023GT	161
38314GT	89	40274GT	103	41033GT	105
38315GT	89	40275GT	103	41037-SGT	141
38316GT	59, 61, 65	40276GT	103	41038-SGT	119, 121
38318GT	105	40285GT	139	41053GT	105
38322GT	105	40290GT	49, 55	41054GT	105
38323GT	105	40291GT	49, 55	41055GT	89
38324GT	105	40292GT	49, 55	41077GT	85
38336GT	153, 157	40293GT	49	41192GT	119, 121, 175
38337GT	153, 157	40301GT	111	41193GT	119, 121
38338GT	145, 149	40302GT	91	41195GT	175
38340-SGT	37, 93	40313GT	85, 87	41198-SGT	119, 121
38341-SGT	37, 95	40314GT	87	41214GT	77
38342-SGT	37	40315GT	87	41224GT	73, 77, 83
38343-SGT	37	40318GT	161, 169	41227GT	137
38344-SGT	37, 93	40399GT	165	41266GT	15, 27, 33



<u>Part no.</u>	<u>Page Number</u>	<u>Part no.</u>	<u>Page Number</u>	<u>Part no.</u>	<u>Page Number</u>
41268GT	15, 27, 33	41928GT	169	46610GT	129
41292GT	143, 149	41929GT	169	46695-SGT	69
41336GT	49	41930GT	169, 173	47231GT	151
41377GT	173	41949GT	141, 173	47279GT	37, 41
41452-SGT	177	41955GT	141, 173	48282GT	113
41457GT	175	41957GT	131	48519GT	161, 165, 169
41458GT	175	42280GT	175	48520GT	161, 165, 169
41459GT	175	43006GT	49, 55	49364GT	47
41460GT	175	43007GT	49	49377GT	47
41461GT	175	43008GT	55	49612GT	11
41463GT	175	43011GT	49	49613GT	11
41464GT	173	43015GT	77, 81	49816GT	131
41465GT	173	43052GT	93	49857GT	169
41467GT	175	43054GT	103	51496GT	97, 119, 121
41468GT	175	43056GT	103	52475GT	23, 25, 29, 31
41469GT	173	43058GT	103	52943GT	159
41471GT	173	43059GT	103	52996GT	15, 19, 27, 33
41472GT	173	43077GT	175	52999GT	15, 19, 23, 29
41473GT	173	43078GT	179	54355GT	37, 39, 45
41474GT	173	43136GT	99, 117, 177	55010GT	113
41475GT	173	43141GT	133	55018GT	113
41476GT	173	43622GT	49	55019GT	113
41477GT	173	43623GT	49	55021GT	113
41479GT	131, 173	43624GT	49	56660GT	143
41480GT	173	43625GT	49	57075GT	133
41481GT	175	43956GT	127, 129	57098GT	45
41482GT	173	44895GT	85	57099GT	45
41483GT	173, 175	44977GT	149	57100GT	45
41484GT	173	44979GT	159	57116GT	145
41485GT	173	45183GT	165	57138GT	145
41486GT	175	45383GT	177	57147GT	87
41487GT	119, 121	45425GT	57, 59, 61, 65	57159GT	111
41488GT	119, 121	45437GT	133	57191GT	169, 175
41489GT	119, 121	46017GT	63	57252GT	45
41491GT	49	46049GT	161, 165, 169	57732GT	37, 41
41521GT	131	46051GT	161, 165, 169	57733GT	103
41534GT	119, 121, 175	46078GT	137, 139	57740GT	37
41546GT	133	46440GT	113	57781GT	99
41924GT	169	46441GT	113	57785GT	37, 41, 45, 105
41925GT	169	46567GT	37, 41, 43	57787-SGT	37, 41
41926GT	169	46608GT	129	57788GT	93, 97, 99, 105
41927GT	169	46609GT	129	58287GT	161, 165, 169



<u>Part no.</u>	<u>Page Number</u>	<u>Part no.</u>	<u>Page Number</u>	<u>Part no.</u>	<u>Page Number</u>
58288GT	161, 165, 169	80362GT	39	82975GT	15
58462GT	131	80363GT	43	82976GT	19, 29, 31
58587GT	151	80623GT	171	82977GT	19, 29, 31
60499GT	111	80705GT	125, 129	82978GT	21, 29, 31
62992GT	15, 19, 23, 29	80706GT	125, 129	82979GT	21, 29, 31
62993GT	15, 19, 23, 29	80707GT	125, 129	82980GT	21, 29, 31
62994GT	15, 19, 23, 29	80708GT	35, 39, 43	82984GT	21, 29, 31
62995GT	15, 19, 23, 29	80711GT	125, 129	82986GT	15, 27
64154GT	45	80712GT	133	82987GT	21, 33
65874GT	145	80713GT	133	82988GT	21, 31
66355GT	133	80714GT	133	83093GT	123, 127
66356GT	133	80715GT	133	83095GT	137, 139
66399GT	11	80716GT	133	85217GT	161, 165
66717GT	161	80889GT	113	85276GT	123
66812GT	123, 127, 131, 133	80938GT	59	85328GT	153
66815GT	123, 127	80940GT	15, 19	85330GT	153
66816GT	123, 127	80943GT	159	85332GT	157
66817GT	123, 127	80944GT	159	85334GT	157
66818GT	123, 127	80945GT	159	85336GT	157
66821GT	131	80950GT	159	85337GT	149
69223GT	87	80951GT	159	85338GT	149, 153
69224GT	87	80952GT	159	85339GT	149
69225GT	87	80989-SGT	111	85340GT	149, 157
69226GT	37, 41, 45	80990GT	113	85356GT	155
69227GT	119, 121, 175	80993GT	179	85358GT	155
69228GT	111	80994GT	179	85423GT	111
69623GT	129	80995GT	179	85424GT	111
69845GT	129	80997GT	179	85460GT	113
69846GT	129	82366GT	15, 27	85473GT	127
69847GT	125	82481GT	19, 31	85495GT	153
69855GT	71	82487GT	19	85497GT	157
71706GT	113	82614GT	19	85499GT	153
72086GT	15, 25, 31	82780GT	15, 19, 27, 33	90337GT	11, 57
72282GT	177	82781GT	15, 19, 27, 33	96008-SGT	123
74917GT	35, 39, 43	82802GT	15, 19, 23, 29, 135	96009GT	123
76479GT	35, 39, 43	82907GT	15, 25	96010GT	123, 127
76480GT	35, 39, 43	82913GT	19	96110GT	111
76481GT	35, 39, 43	82914GT	19	97059GT	113
80058GT	151, 177	82915GT	19, 25, 31	97522GT	15, 21, 23, 29
80071GT	135	82916GT	19	97523GT	15, 21, 23, 25, 29, 31
80072GT	135	82973GT	19, 31	97815GT	21, 27, 33
80076GT	123, 127, 133	82974GT	19, 33	100088GT	169



<u>Part no.</u>	<u>Page Number</u>	<u>Part no.</u>	<u>Page Number</u>	<u>Part no.</u>	<u>Page Number</u>
100158GT	161, 165, 169	107391GT	143	107445GT	153
100193GT	113	107400GT	51	107446GT	153
100194GT	113	107401GT	51	107447GT	153
100195GT	113	107402GT	51	107448GT	153
100255GT	161, 165, 169	107403GT	51	107449GT	153
100256GT	135	107404GT	51	107450GT	153
100299GT	161, 165, 169	107405GT	51	107451GT	155
100866GT	161, 165	107406GT	51	107452GT	155
100867GT	161, 165	107407GT	51	107453GT	155
100868GT	161, 165	107408GT	51	107454GT	157
100869GT	161, 165	107409GT	51	107455GT	157
100893GT	97, 99, 115, 117	107410GT	51	107456GT	157
100894GT	119, 121	107411GT	51	107457GT	157
100898GT	93, 97	107412GT	51	107458GT	157
100901GT	97	107414GT	51	107459GT	157
100902GT	93, 97, 101	107415GT	51	107460GT	157
100939GT	91	107416GT	55	107461GT	157
100944GT	91	107417GT	55	107462GT	157
100947GT	91	107418GT	55	107463GT	157
105092GT	37, 41	107419GT	55	107464GT	157
107023GT	93, 97, 99	107420GT	55	107465GT	157
107069GT	35	107421GT	55	107466GT	157
107070GT	35	107425GT	109	107467GT	157
107071GT	35	107426GT	109	107468GT	157
107072GT	35	107427GT	109	107469GT	93, 97, 99
107074GT	39, 43	107428GT	109	107472GT	115
107100GT	49, 55	107429GT	109	107473GT	115
107102GT	49, 55	107430GT	109	107474GT	115
107104GT	49	107431GT	91	107475GT	115
107106GT	49	107432GT	91	107476GT	115
107108GT	49	107433GT	153	107477GT	115
107109GT	49, 55	107434GT	153	107478GT	115
107110GT	49	107435GT	153	107479GT	115
107115GT	51, 55	107436GT	153	107481GT	69
107116GT	51	107437GT	153	107482GT	69
107118GT	51	107438GT	153	107483GT	69
107119GT	51, 55	107439GT	153	107484GT	69
107122GT	51	107440GT	153	107485GT	69
107123GT	55	107441GT	153	107486GT	69
107167GT	123	107442GT	153	107487GT	69
107381GT	93	107443GT	153	107488GT	69
107383GT	131	107444GT	153	107489GT	69



<u>Part no.</u>	<u>Page Number</u>	<u>Part no.</u>	<u>Page Number</u>	<u>Part no.</u>	<u>Page Number</u>
107490GT	69	124569GT	47	1259993GT	105
107491GT	69	124628GT	131	1260610GT	21, 29, 31
107492GT	69	124629GT	131	1261234GT	159
109551GT	95	124645GT	123	1272242GT	17, 21, 25, 31
109595GT	39	124646GT	123	1277226GT	127
109605GT	35	124649GT	115, 117, 119, 121	1280665GT	123
109665GT	45	124650GT	115, 117, 119, 121	1280819GT	17, 27
109689GT	47	124792GT	47	1281175GT	23, 29
109713GT	47	124793GT	47	1294398GT	23, 29
109715GT	47	133046GT	21, 27, 33	1294685GT	27
109802GT	169	133490GT	27	1296809GT	69
109870GT	87	144161GT	113, 123	1298492GT	27, 33
109988GT	87	145047GT	125, 129	1298705GT	27
113000GT	175	145135GT	115	1298706GT	23, 25
114008GT	15	145191GT	145	1298707GT	33
114009GT	15	145192GT	145	1298708GT	23, 25
114010GT	21	145342GT	125, 129	1298709GT	27
114011GT	15	145343GT	165	1298710GT	23, 25
114373GT	21, 33	150153GT	35	1298711GT	33
115149GT	127	150154GT	35	1298712GT	23, 25
115150GT	127	150155GT	39, 43	1298713GT	25, 31
115151GT	127	150156GT	39, 43	1298933GT	11
115152GT	93	216056GT	27	1298945GT	27
115301GT	171	226393GT	177	1298997GT	27
122019GT	177	226802GT	145, 149	1299616GT	33
124010GT	71	230000GT	133	1299624GT	31
124121GT	127	231237GT	177	1301031GT	23, 25
124127GT	127	824423GT	145, 149	1301032GT	23, 25
124128GT	127	824457GT	145	1301033GT	23, 25
124133GT	127	824462GT	145, 149	1301034GT	23, 25
124183GT	161, 165, 169	824472GT	145, 149	1301035GT	23, 25
124185GT	161	824510GT	145	1302864GT	51
124186GT	161	1255889GT	29, 31	1302865GT	51
124188GT	167	1257696GT	125, 129	1302866GT	51
124189GT	161	1257733GT	11	1302867GT	53
124191GT	165	1257846GT	51	1302868GT	53
124194GT	99, 117	1257847GT	51	1302869GT	53
124197GT	165	1257853GT	21, 29, 31	1302870GT	53
124198GT	165	1257854GT	21, 29, 31	1302871GT	53
124221GT	21	1258567GT	11	1302872GT	53
124552GT	47	1258584GT	51	1302875GT	53
124568GT	47	1258599GT	51	1303593GT	165



<u>Part no.</u>	<u>Page Number</u>	<u>Part no.</u>	<u>Page Number</u>	<u>Part no.</u>	<u>Page Number</u>
1306219GT	23				
1306220GT	23				
1306221GT	27				
1306222GT	27				
1306223GT	29				
1306224GT	29				
1306225GT	33				
1306226GT	33				
1306256GT	13				
1306257GT	13				
1306258GT	13				
1306259GT	13				
1306260GT	19				
1306261GT	19				
1306262GT	19				
1306263GT	19				
T107371GT	131				
T107374GT	131				
T112561GT	133				
T112563GT	133				
T114885GT	161				

California Proposition 65



Operating, servicing and maintaining this equipment, passenger vehicle or off-highway motor vehicle can expose you to chemicals including engine exhaust, carbon monoxide, phthalates, and lead, which are known to the State of California to cause cancer and birth defects or other reproductive harm. These chemicals can be emitted from or contained in other various parts and systems, fluids and some component wear by-products. To minimize exposure, avoid breathing exhaust, do not idle the engine except as necessary, service your equipment and vehicle in a well-ventilated area and wear gloves or wash your hands frequently when servicing your equipment or vehicle and after operation. For more information go to www.P65Warnings.ca.gov/passenger-vehicle.

Breathing diesel engine exhaust exposes you to chemicals known to the State of California to cause cancer and birth defects or other reproductive harm.

- Always start and operate the engine in a well-ventilated area.
- If in an enclosed area, vent the exhaust to the outside.
- Do not modify or tamper with the exhaust system.
- Do not idle the engine except as necessary.

For more information go to www.P65warnings.ca.gov/diesel.

www.genielift.com

Distributed By:

Parts Manual
AWP Super Series

(from SN AWP-G-87800)

Part No.
1283303GT

Rev B

Genie
A TEREX BRAND